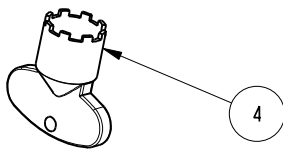
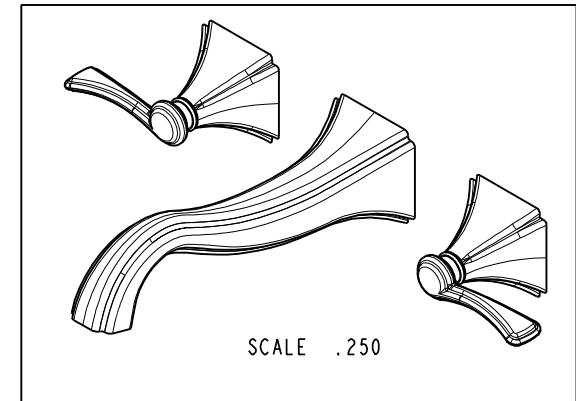
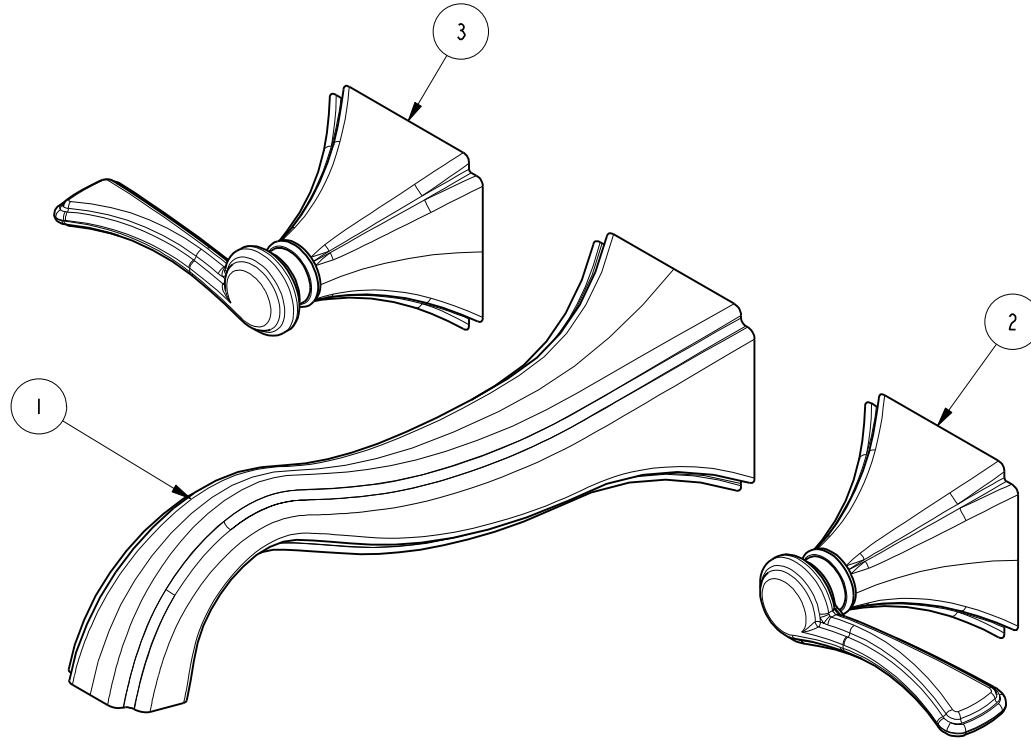


NOTES:

(N1) 1. FIT / FORM / FUNCTION SHALL FOLLOW PS-E.008.

BILL OF MATERIAL (CURRENT LEVEL)

ITEM	PT/ASSY	DESCRIPTION	TYPE	QTY.
1	8-005	WALL LAVATORY SPOUT ASM	ASSEMBLY	1
2	3-604	LEVER HANDLE ASM - COLD	ASSEMBLY	1
3	3-605	LEVER HANDLE ASM - HOT	ASSEMBLY	1
4	91379	AERATOR KEY	PART	1



ZONE	REV	DESCRIPTION	DATE	APPROVED
-	D	EN-3435	01/18/18	J.A.
-	C	EN-3062	06/01/16	R.S.
-	B	EN-2639	11/04/13	-
-	A	EN-2240	08/02/12	-
-	-	EN-1735	06/10/11	-

COPYRIGHT 2005 BRASSTECH, INC. THESE DRAWINGS AND THE DESIGNS DEPICTED HEREIN ARE THE PROPRIETARY PROPERTY OF BRASSTECH. ANY USE OR REPRODUCTION IS SUBJECT TO THE EXPRESS APPROVAL OF BRASSTECH. UNAUTHORIZED USE IS STRICTLY PROHIBITED. ALL RIGHTS RESERVED.

TESTING	ASSEMBLY	PLATING	POLISHING	MACHINING	TOOLING FIXTURE #
-	-	-	-	-	-
					APPLICATION
					REMOVE ALL BURRS AND SHARP EDGES

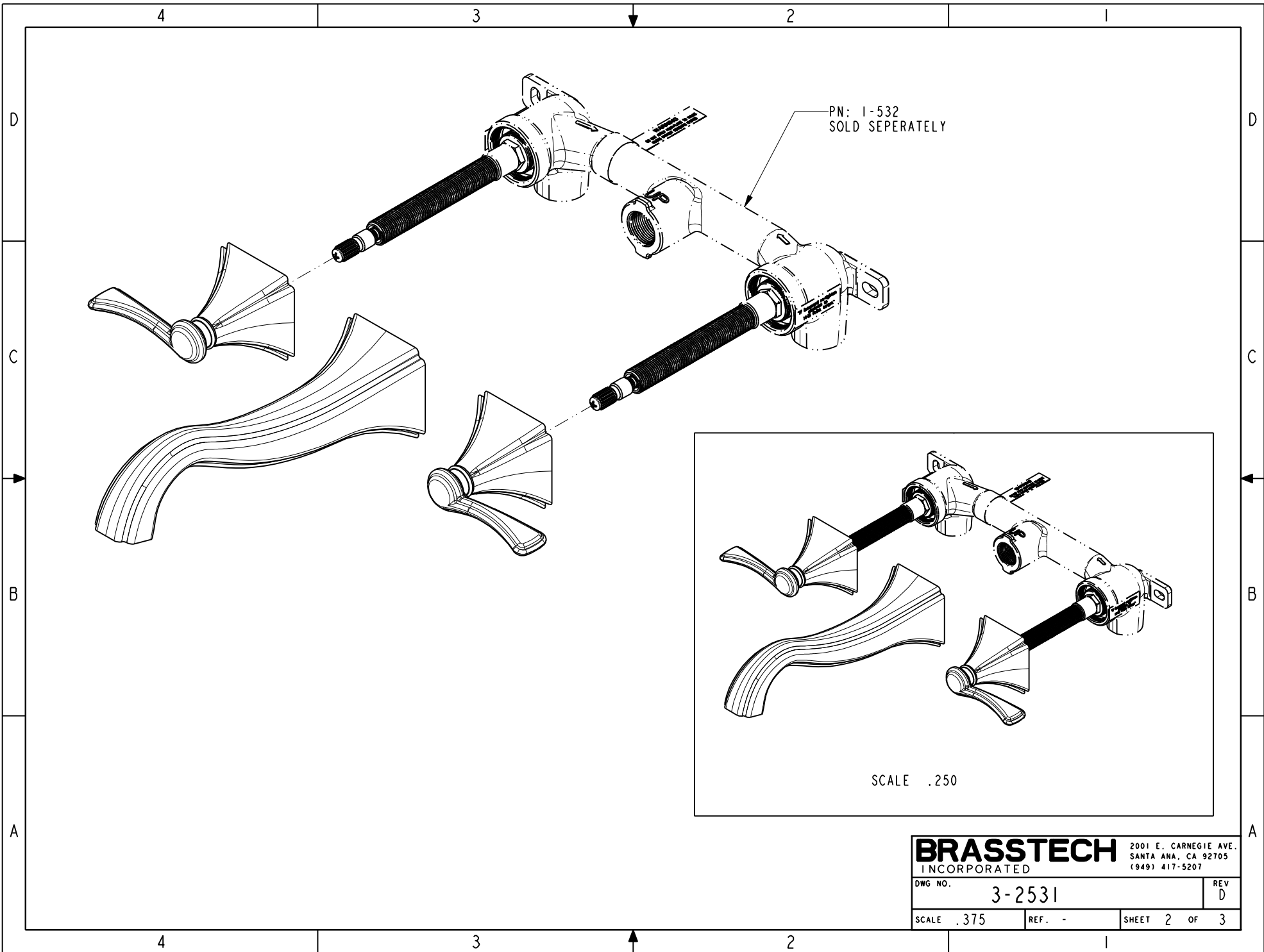
UNITS ARE: INCHES [MM]	
TOLERANCES ARE:	
FRACTIONS DECIMALS	ANGLES
±1/16"	±1°
.X ±.1 [2,5]	
.XX ±.06 [1,5]	
(X.XXX) DENOTES CRITICAL DIMS.	
ALL THREADS ARE CRITICAL	
DRAWN	JINSON 01/18/18
CHECKED	J.A. 01/18/18
APPROVED	J.A. 01/18/18

**BRASSTECH** 2001 CARNEGIE AVE. SANTA ANA, CA 92705 (949) 417-5207  
INCORPORATED

W/M LAVATORY TRIM WITH LEVER HANDLES

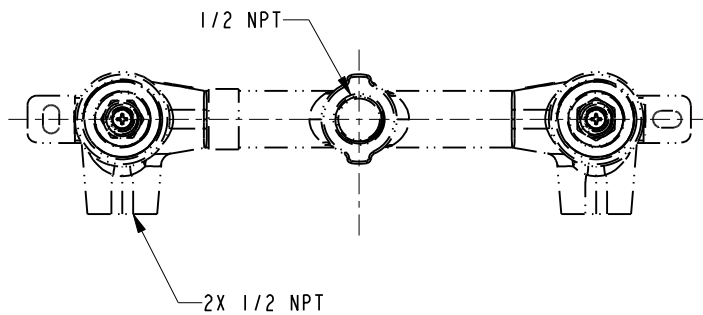
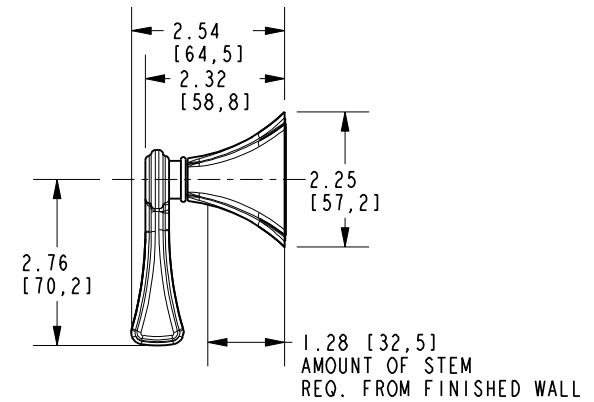
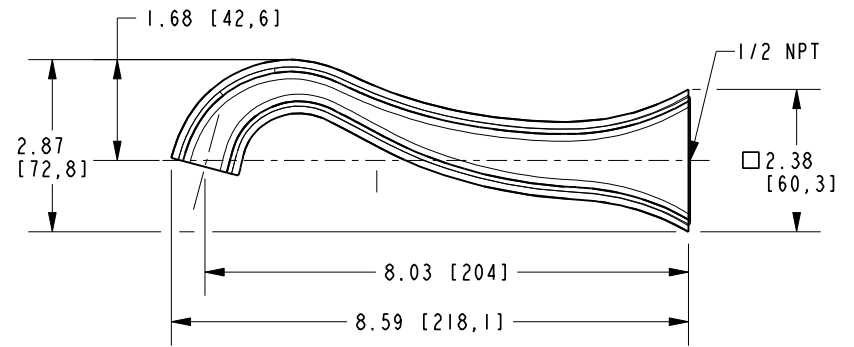
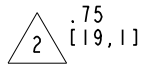
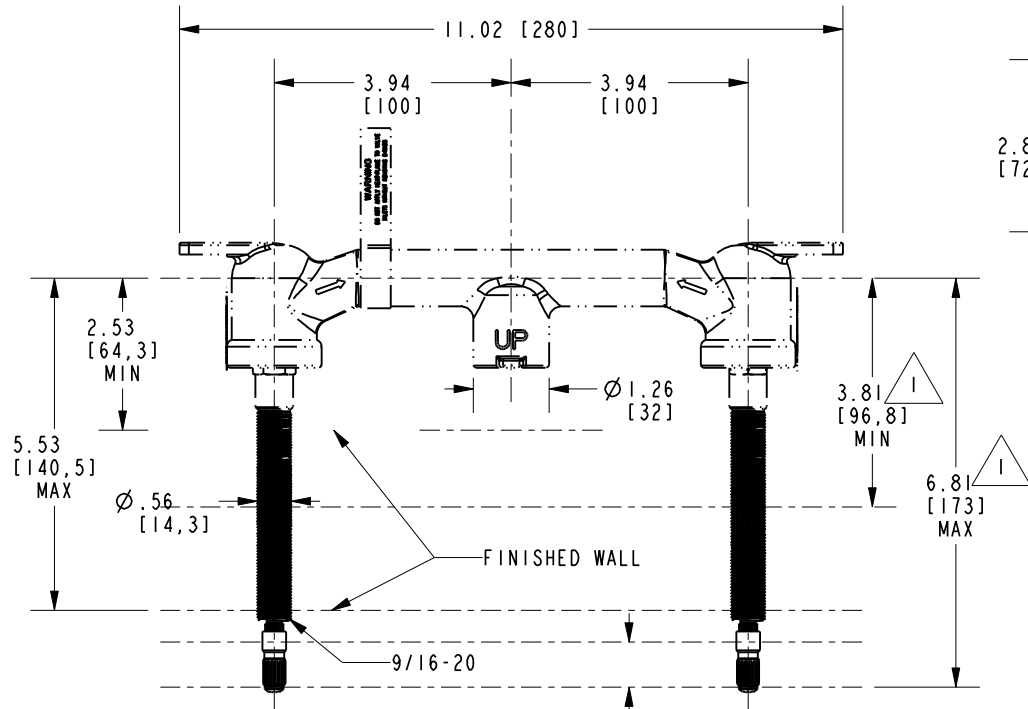
DWG NO. 3-2531 REV D

SCALE .500 REF. - SHEET 1 OF 3



NOTES:

- 1. CUT STEM TO DIMENSION SHOWN.
- 2. CUT ALL-THREAD 3/8" SHORTER THAN STEM.



<b>BRASSTECH</b>		2001 E. CARNEGIE AVE. SANTA ANA, CA 92705 (949) 417-5207	
INCORPORATED			
DWG NO.	3-2531		REV D
SCALE .313	REF. -	SHEET 3	OF 3