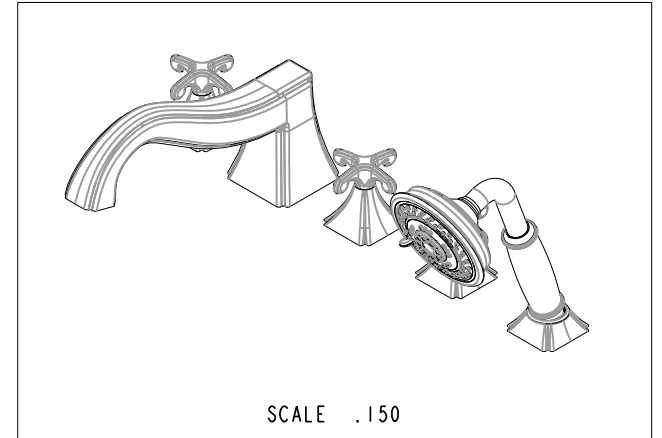
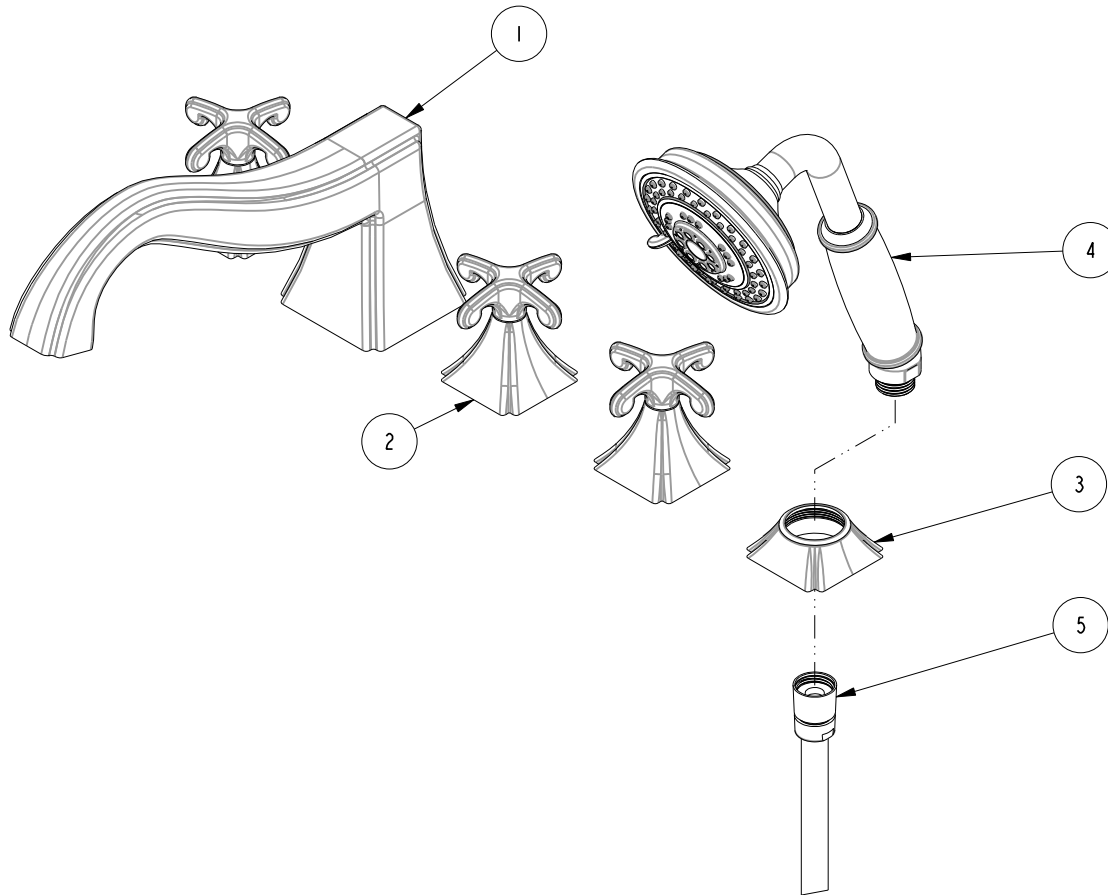


NOTES:

(N1) 1. FIT / FORM / FUNCTION SHALL FOLLOW PS-E.008.

BILL OF MATERIAL (CURRENT LEVEL)

ITEM	PT/ASSY	DESCRIPTION	TYPE	QTY.
1	3-563	R/T SPOUT ASM	ASSEMBLY	1
2	3-607	CROSS HANDLE ASM	ASSEMBLY	3
3	6-289-8	HAND SHOWER DECKFLANGE ASSEMBLY	ASSEMBLY	1
4	281-1	HAND SHOWER - TRADITIONAL	ASSEMBLY	1
5	284	59 IN. SPIRAL SHOWER HOSE	ASSEMBLY	1



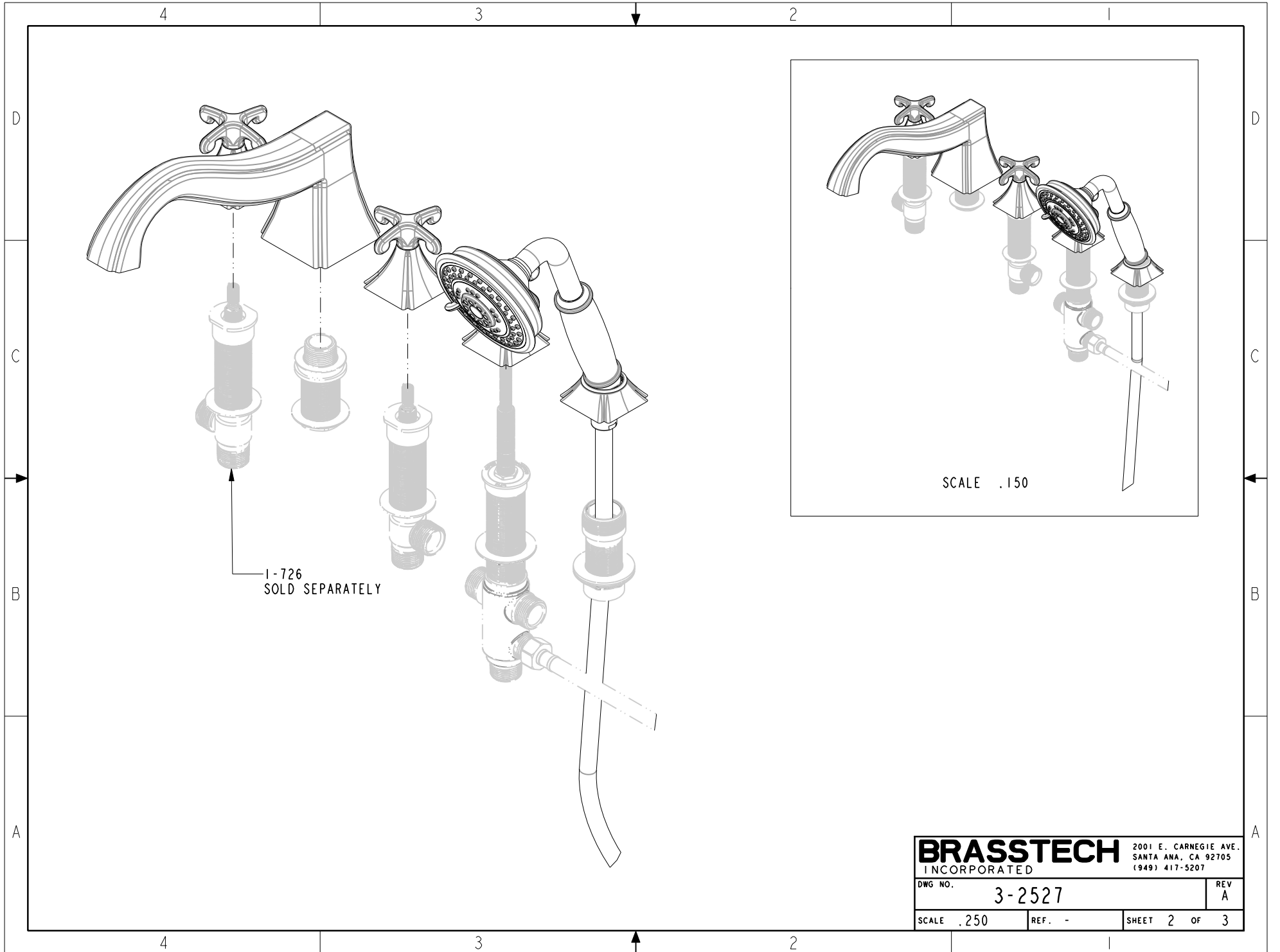
ZONE	REV	DESCRIPTION	DATE	APPROVED
-	-	-	-	-
-	A	EN-3435A	1/30/18	J.A
-	-	EN-2772a	02/03/15	J.M

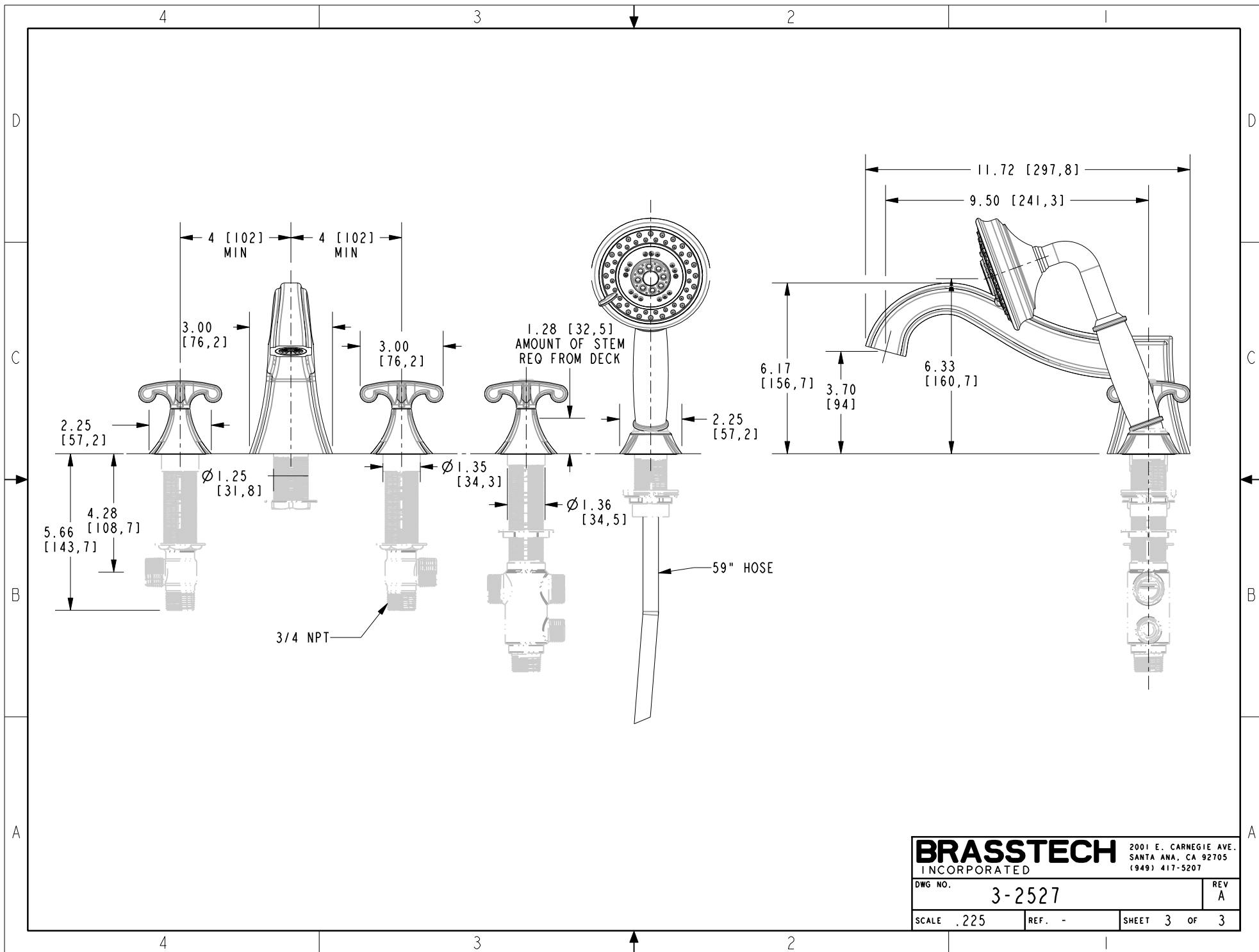
COPYRIGHT 2005 BRASSTECH, INC. THESE DRAWINGS AND THE DESIGNS DEPICTED HEREIN ARE THE PROPRIETARY PROPERTY OF BRASSTECH. ANY USE OR REPRODUCTION IS SUBJECT TO THE EXPRESS APPROVAL OF BRASSTECH. UNAUTHORIZED USE IS STRICTLY PROHIBITED. ALL RIGHTS RESERVED.

TESTING	-	-	-
ASSEMBLY	-	-	-
PLATING	-	-	-
POLISHING	-	NEXT ASSY	USED ON
MACHINING	-	APPLICATION	
TOOLING FIXTURE #	REMOVE ALL BURRS AND SHARP EDGES		

UNITS ARE: INCHES [MM]		
TOLERANCES ARE:		
FRACTIONS DECIMALS	ANGLES	
±1/16"	±1°	
.X ±.1 (2,5)		
.XX ±.06 (1,5)		
(X.XXX) DENOTES CRITICAL DIMS. ALL THREADS ARE CRITICAL		
DRAWN	JINSON	01/19/18
CHECKED	J.A.	01/19/18
APPROVED	J.A.	01/19/18

BRASSTECH		2001 CARNEGIE AVE. SANTA ANA, CA 92705 (949) 417-5207	
INCORPORATED			
R/T & H/SHOWER WITH LEVER HANDLES			
DWG NO.		REV	
3-2527		A	
SCALE	REF.	SHEET	OF
.045	-	1	3





BRASSTECH		2001 E. CARNEGIE AVE.	
INCORPORATED		SANTA ANA, CA 92705	
DWG NO. 3-2527		REV A	
SCALE .225	REF. -	SHEET 3 OF 3	