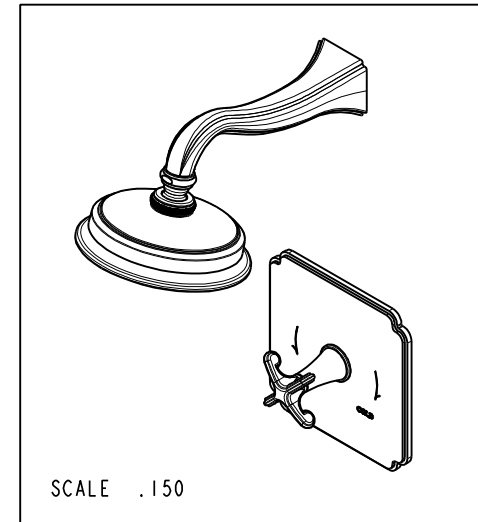
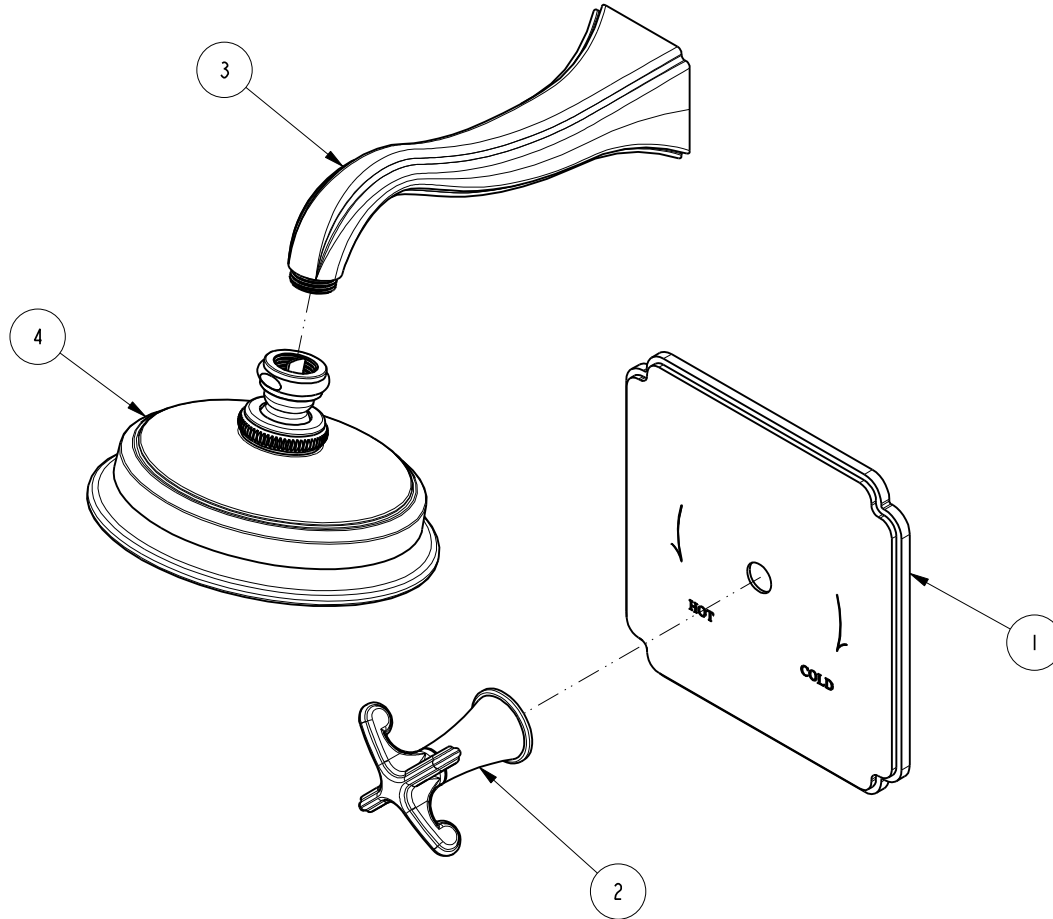


NOTES:

(NI) 1. FIT / FORM / FUNCTION SHALL FOLLOW PS-E.008.

BILL OF MATERIAL (CURRENT LEVEL)

ITEM	PT/ASSY	DESCRIPTION	TYPE	QTY.
1	8-011	BP SHOWER PLATE ASM	ASSEMBLY	1
2	20-299	BP LEVER HANDLE ASM	ASSEMBLY	1
3	80020	SHOWER ARM	PART	1
4	2142	TRAD. SHOWER HEAD - SINGLE JET	ASSEMBLY	1



ZONE	REV	DESCRIPTION	DATE	APPROVED
-	F	EN-3435	01/18/18	J.A.
-	E	EN-3113	08/11/16	J.A.
-	D	EN-2027b	07/07/15	AN
-	C	EN-2068	02/09/12	AN
-	B	EN-2027	01/06/12	AN
-	A	EN-1805	06/29/11	JM
-	-	EN-1735	06/10/11	JM

COPYRIGHT 2005 BRASSTECH, INC. THESE DRAWINGS AND THE DESIGNS DEPICTED HEREIN ARE THE PROPRIETARY PROPERTY OF BRASSTECH. ANY USE OR REPRODUCTION IS SUBJECT TO THE EXPRESS APPROVAL OF BRASSTECH. UNAUTHORIZED USE IS STRICTLY PROHIBITED. ALL RIGHTS RESERVED.

TESTING	ASSEMBLY	PLATING	POLISHING	MACHINING	TOOLING FIXTURE #	APPLICATION
-	-	-	-	-	-	REMOVE ALL BURRS AND SHARP EDGES

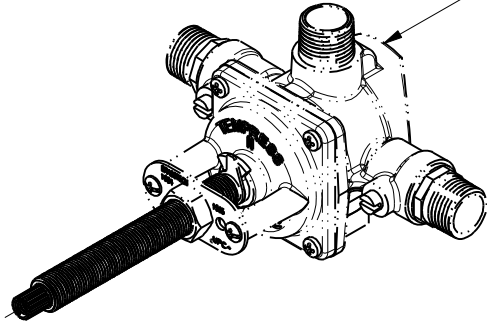
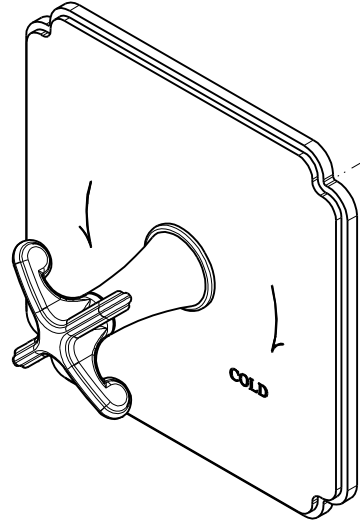
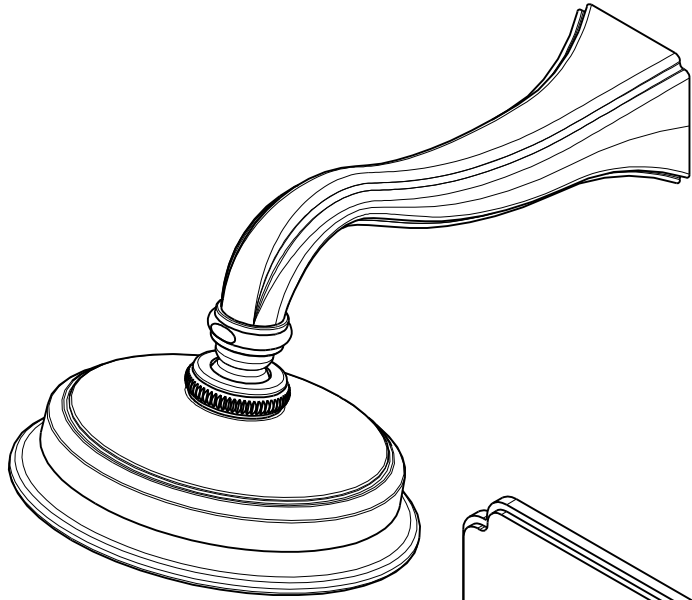
UNITS ARE:	TOLERANCES ARE:
INCHES [MM]	FRACTIONS DECIMALS ANGLES
	$\pm 1/16"$ .X $\pm .1$ [2.5] $\pm 1^\circ$
	.XX $\pm .06$ [1.5]
(X.XXX)	DENOTES CRITICAL DIMS. ALL THREADS ARE CRITICAL
DRAWN	JINSON 01/18/18
CHECKED	J.A. 01/18/18
APPROVED	J.A. 01/18/18

**BRASSTECH** INCORPORATED  
 2001 CARNEGIE AVE. SANTA ANA, CA 92705 (949) 417-5207

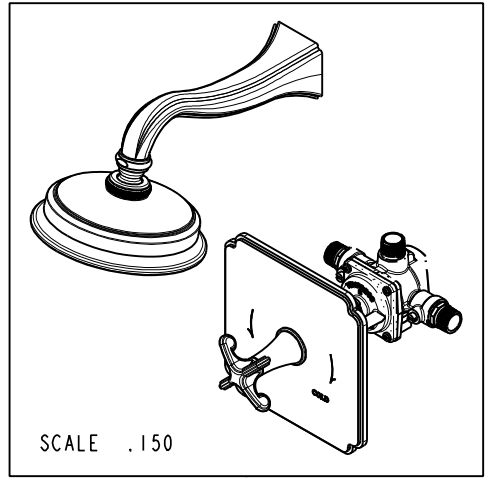
BP SHOWER TRIM SET W/ CROSS HANDLE

DWG NO. 3-2524BP REV F

SCALE .300 REF. - SHEET 1 OF 3



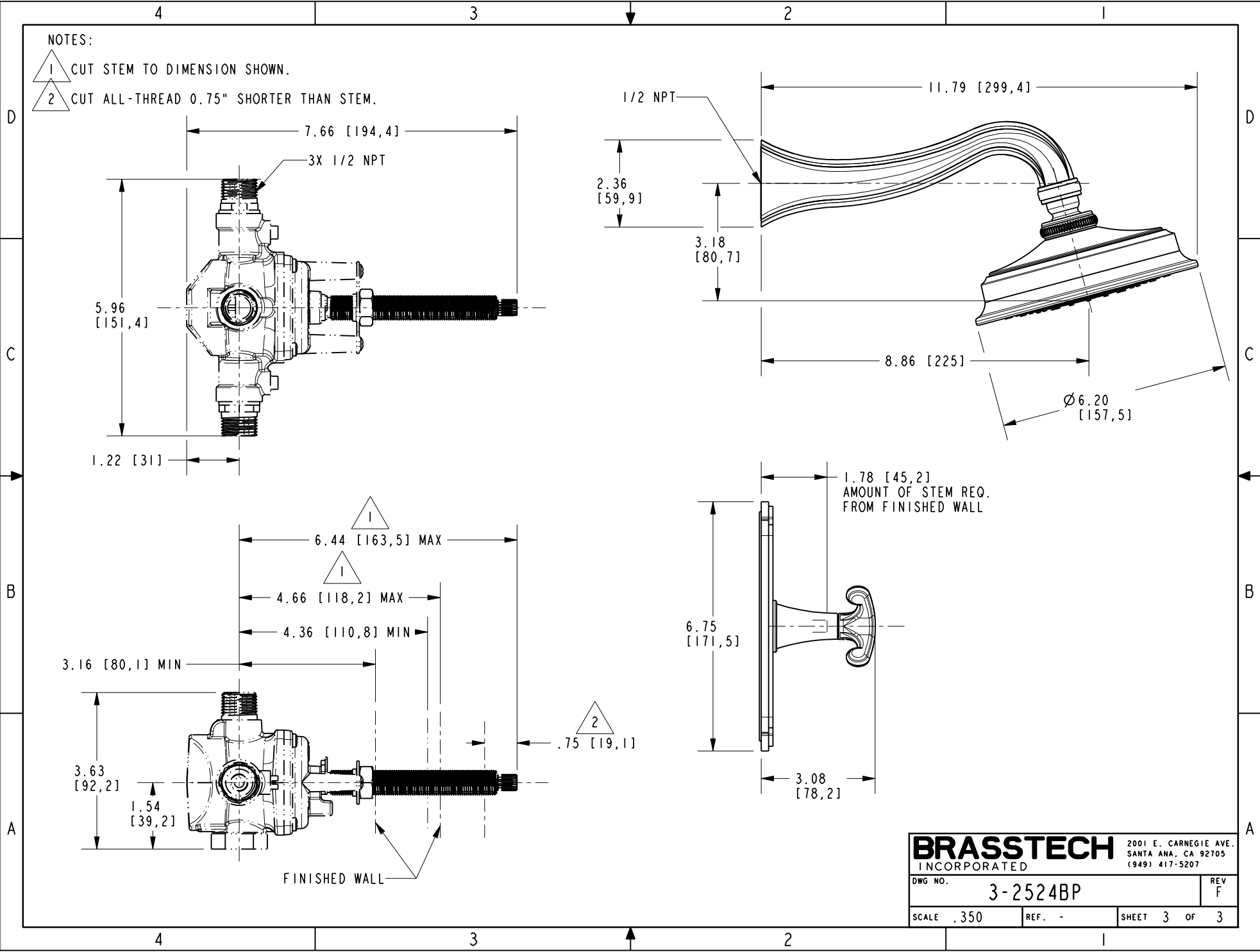
PN: 1-594  
SOLD SEPARATELY



<b>BRASSTECH</b> INCORPORATED		2001 E. CARNEGIE AVE. SANTA ANA, CA 92705 (949) 417-5207	
DWG NO.	3-2524BP	REV	F
SCALE .350	REF. -	SHEET 2	OF 3

NOTES:

- 1 CUT STEM TO DIMENSION SHOWN.
- 2 CUT ALL-THREAD 0.75" SHORTER THAN STEM.



<b>BRASSTECH</b>		2001 E. CARNEGIE AVE.	
INCORPORATED		SANTA ANA, CA 92705	
DWG. NO. 3-2524BP		REV F	
SCALE .350	REF. -	SHEET 3 OF 3	