

4

3

2

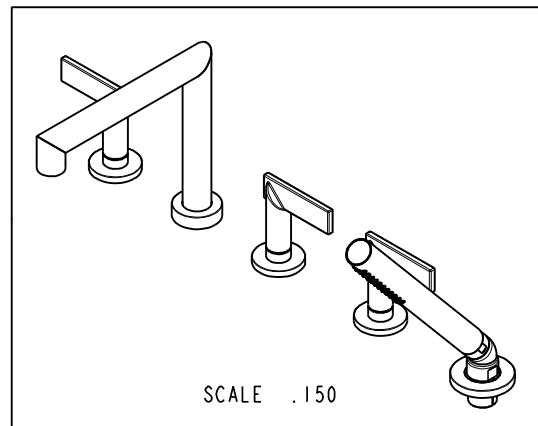
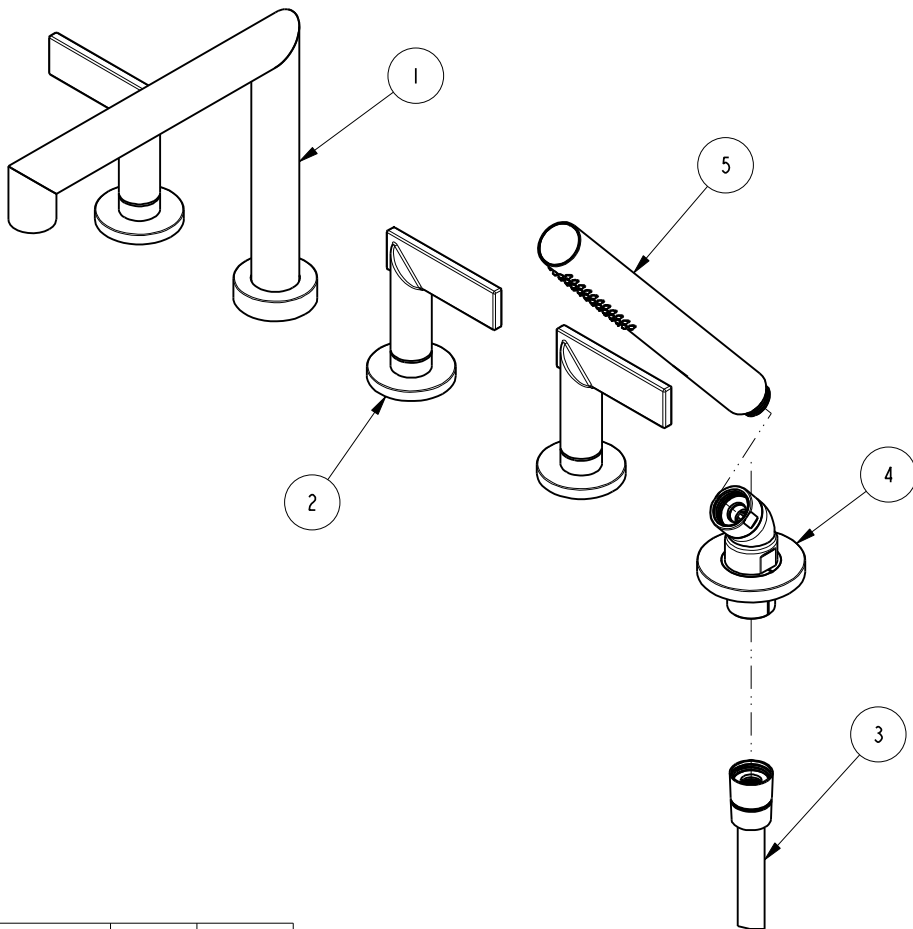
1

NOTES:

(N1) 1. FIT / FORM / FUNCTION SHALL FOLLOW PS-E.008.

BILL OF MATERIAL (CURRENT LEVEL)

ITEM	PT/ASSY	DESCRIPTION	TYPE	QTY.
1	3-403	RT MITER SPOUT ASSY	ASSEMBLY	1
2	3-608	LEVER HADNLE	ASSEMBLY	3
3	284	59 IN. SPIRAL SHOWER HOSE	ASSEMBLY	1
4	6-289-7	HANDSHOWER-ESC ASM	ASSEMBLY	1
5	283-101	ROUND WAND HANDSHOWER	ASSEMBLY	1



-	H	EN-3397	06/05/18	J.A.
-	G	EN-3334	01/18/18	J.A.
-	F	EN-2541-1	09/05/14	-
-	E	EN-2188A	12/12/12	-
-	D	EN-2233	07/30/12	-
-	C	EN-2143	01/18/12	-
-	B	EN-2036	01/17/12	-
-	A	EN-1839	08/09/11	-
-	-	EN-0995-3	01/31/11	-
ZONE	REV	DESCRIPTION	DATE	APPROVED

COPYRIGHT 2005 BRASSTECH, INC. THESE DRAWINGS AND THE DESIGNS DEPICTED HEREIN ARE THE PROPRIETARY PROPERTY OF BRASSTECH. ANY USE OR REPRODUCTION IS SUBJECT TO THE EXPRESS APPROVAL OF BRASSTECH. UNAUTHORIZED USE IS STRICTLY PROHIBITED. ALL RIGHTS RESERVED.

TESTING	-	-	-
ASSEMBLY	-	-	-
PLATING	-	-	-
POLISHING	-	NEXT ASSY	USED ON
MACHINING	-	APPLICATION	
TOOLING	FIXTURE #	REMOVE ALL BURRS AND SHARP EDGES	

UNITS ARE: INCHES [MM]	
TOLERANCES ARE:	
FRACTIONS DECIMALS	ANGLES
±1/16"	±1°
.X ±.1 [2,5]	
.XX ±.06 [1,5]	
(X.XXX) DENOTES CRITICAL DIMS. ALL THREADS ARE CRITICAL	
DRAWN	JINSON 06/05/18
CHECKED	J.A. 06/05/18
APPROVED	J.A. 06/05/18

BRASSTECH 2001 CARNEGIE AVE. SANTA ANA, CA 92705 (949) 417-5207
INCORPORATED

R/T BATH SET W/HAND SHOWER

DWG NO. 3-2497 REV H

SCALE .250 REF. SHEET 1 OF 3

D

C

B

A

D

C

B

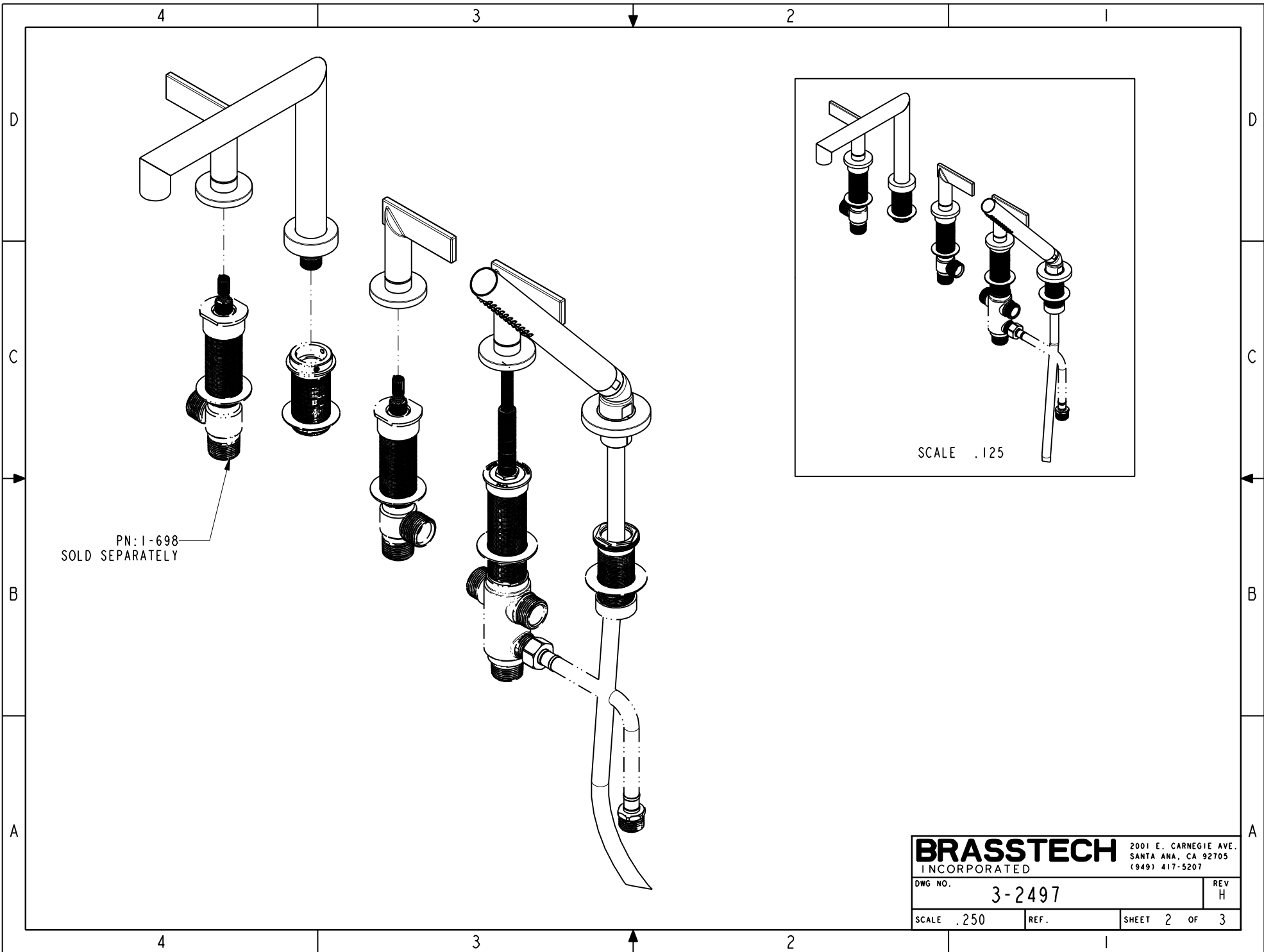
A

4

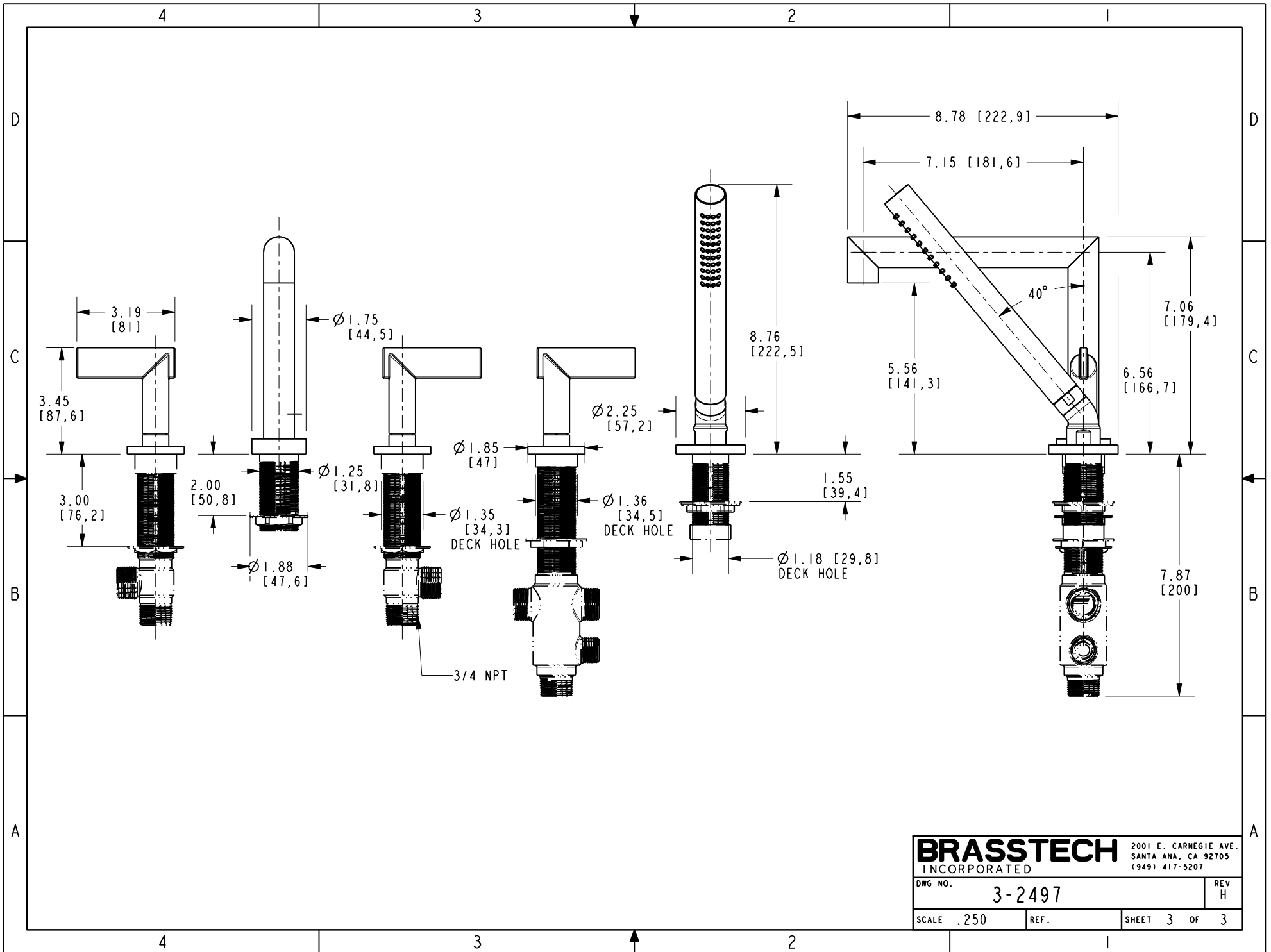
3

2

1



BRASSTECH		2001 E. CARNEGIE AVE.	
INCORPORATED		SANTA ANA, CA 92705	
DWG NO. 3-2497		REV H	
SCALE .250	REF.	SHEET 2 OF 3	



BRASSTECH		2001 E. CARNEGIE AVE.
INCORPORATED		SANTA ANA, CA 92705
		(949) 417-5207
DWG NO.	3-2497	REV H
SCALE .250	REF.	SHEET 3 OF 3