

4

3

2

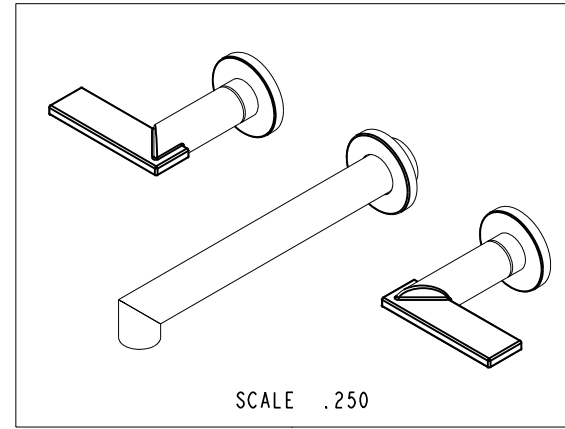
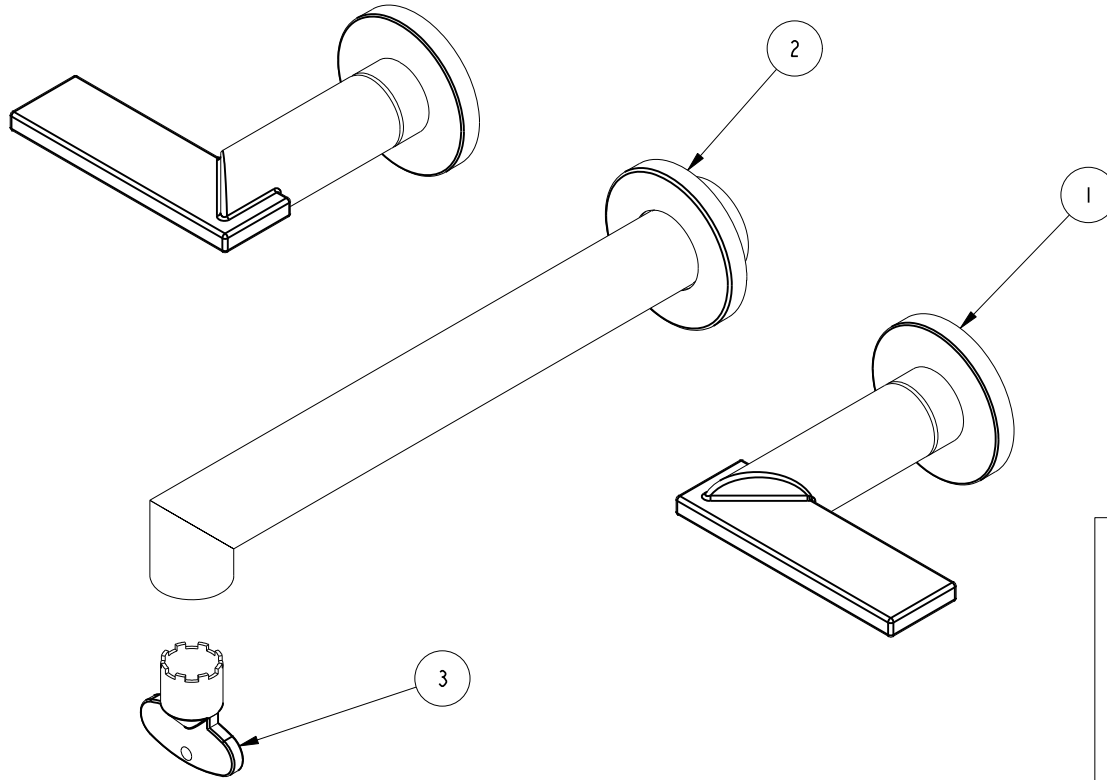
1

NOTES:

(NI) 1. FIT / FORM / FUNCTION SHALL FOLLOW PS-E.008.

BILL OF MATERIAL (CURRENT LEVEL)

ITEM	PT/ASSY	DESCRIPTION	TYPE	QTY.
1	3-608	LEVER HADNLE	ASSEMBLY	2
2	3-406	W/M SPOUT & ESCUTCHEON ASM	ASSEMBLY	1
3	91571	AERATOR KEY	PART	1



ZONE	REV	DESCRIPTION	DATE	APPROVED
-	D	EN-3601	05/07/18	V.V.
-	C	EN-3334	01/05/18	J.A.
-	B	EN-3062	06/01/16	R.S
-	A	EN-2541-1	09/05/14	-
-	-	EN-0995-3	01/31/11	-

COPYRIGHT 2005 BRASSTECH, INC. THESE DRAWINGS AND THE DESIGNS DEPICTED HEREIN ARE THE PROPRIETARY PROPERTY OF BRASSTECH. ANY USE OR REPRODUCTION IS SUBJECT TO THE EXPRESS APPROVAL OF BRASSTECH. UNAUTHORIZED USE IS STRICTLY PROHIBITED. ALL RIGHTS RESERVED.

TESTING	-	-	-
ASSEMBLY	-	-	-
PLATING	-	-	-
POLISHING	-	NEXT ASSY	USED ON
MACHINING	-	APPLICATION	
TOOLING FIXTURE #	REMOVE ALL BURRS AND SHARP EDGES		

UNITS ARE: INCHES [MM]	
TOLERANCES ARE:	
FRACTIONS DECIMALS	ANGLES
$\pm 1/16"$	$.X \pm .1$ [2.5] $\pm 1^\circ$
	$.XX \pm .06$ [1.5]
(X.XXX) DENOTES CRITICAL DIMS. ALL THREADS ARE CRITICAL	
DRAWN	JINSON 01/05/18
CHECKED	J.A. 01/05/18
APPROVED	J.A. 01/05/18

BRASSTECH 2001 CARNEGIE AVE. SANTA ANA, CA 92705 (949) 417-5207
INCORPORATED

WALL MOUNT LAVATORY

DWG NO. **3-2491** REV D

SCALE .375 REF. - SHEET 1 OF 3

D

C

B

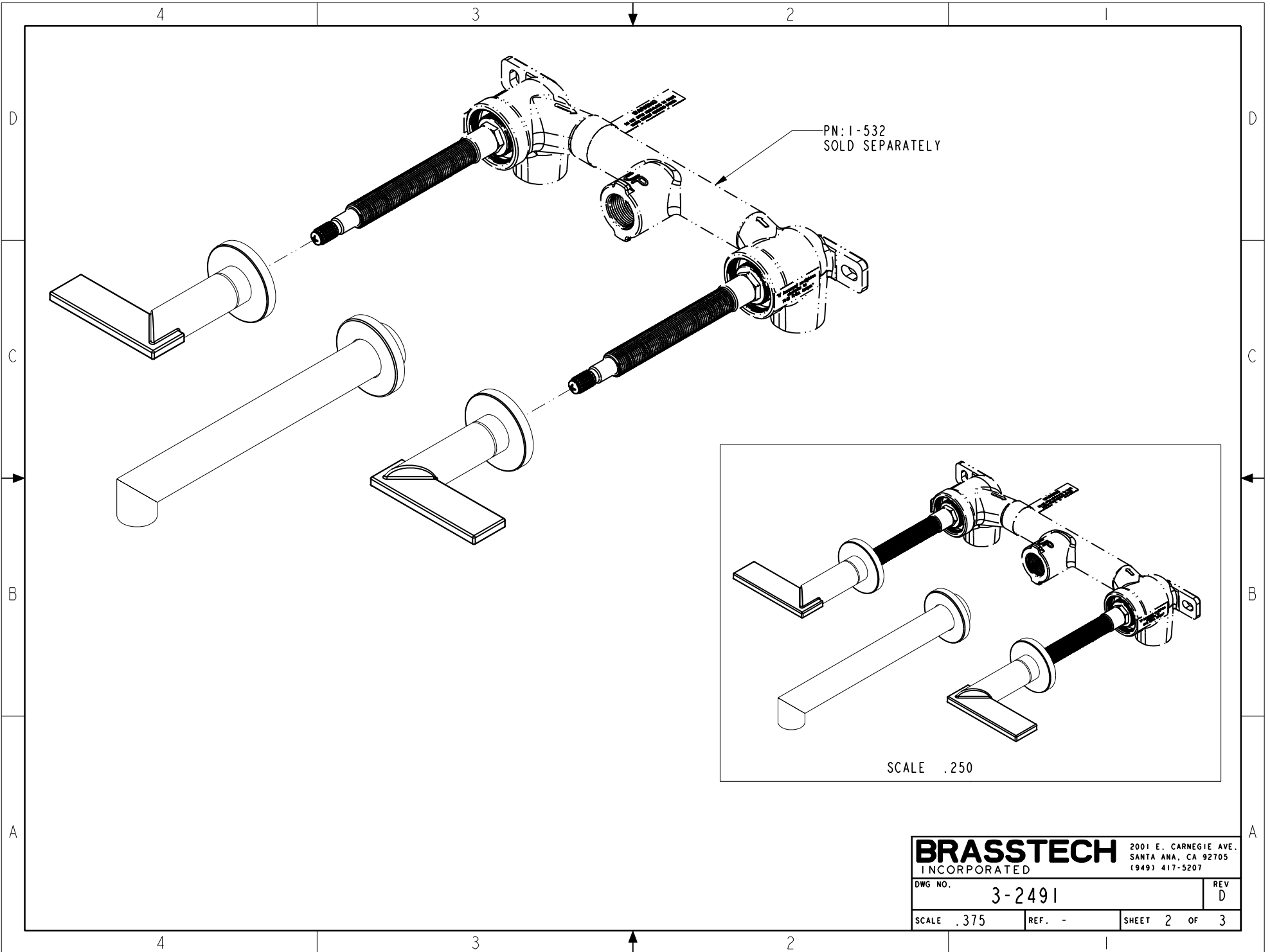
A

4

3

2

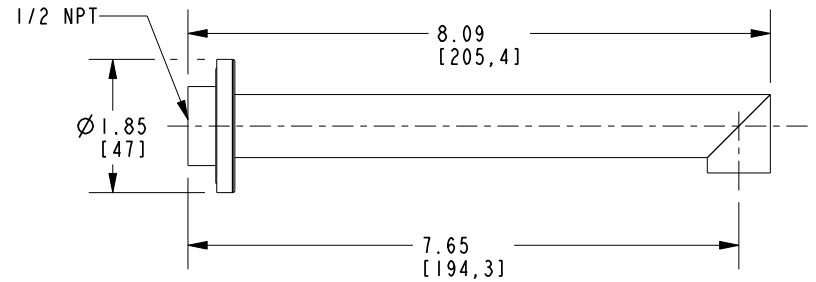
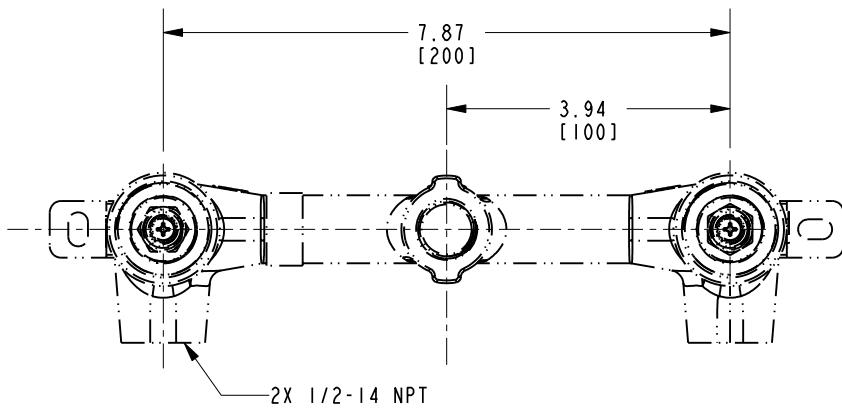
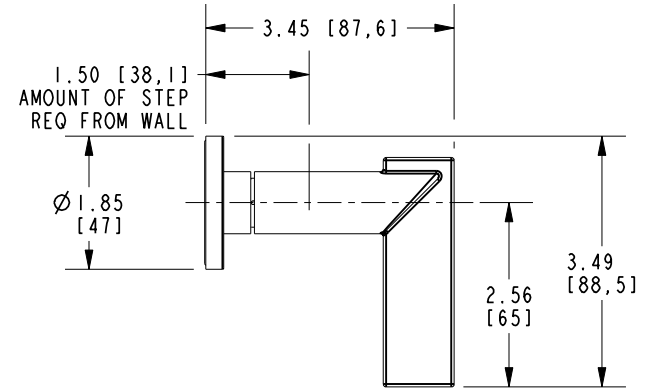
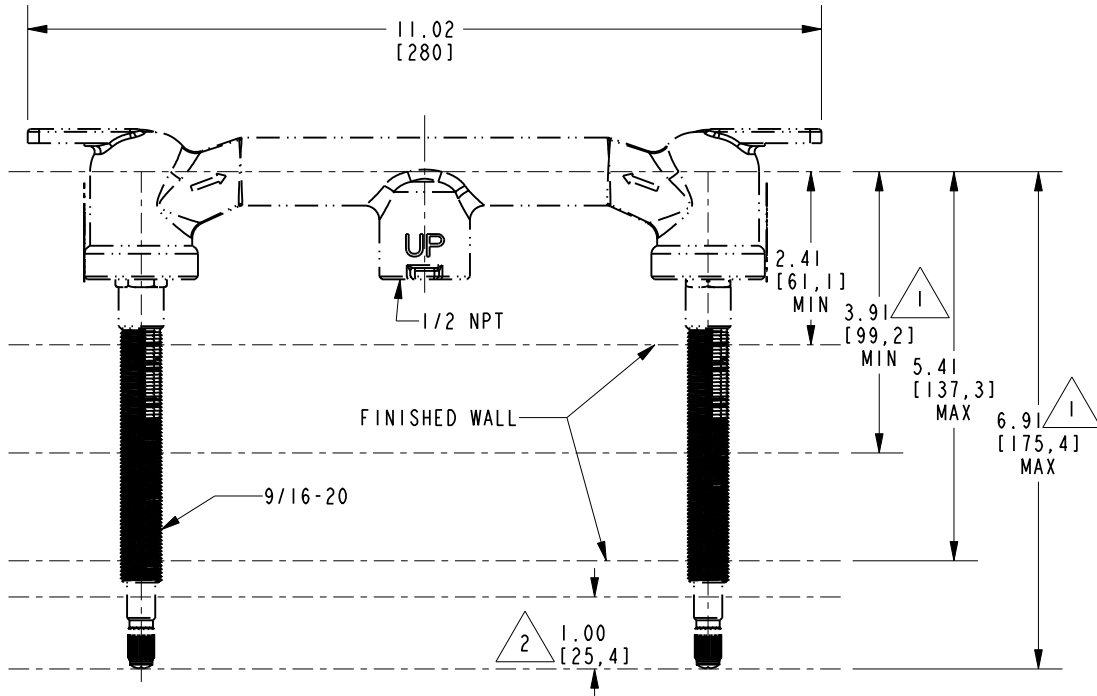
1



BRASSTECH		2001 E. CARNEGIE AVE.	
INCORPORATED		SANTA ANA, CA 92705	
DWG NO. 3-2491		REV D	
SCALE .375	REF. -	SHEET 2 OF 3	

1 CUT STEM AS SHOWN

2 CUT ALL THREADS 1" SHORTER THAN STEM



BRASSTECH		2001 E. CARNEGIE AVE. SANTA ANA, CA 92705 (949) 417-5207	
INCORPORATED			
DWG NO.	3-2491	REV D	
SCALE .375	REF. -	SHEET 3 OF 3	