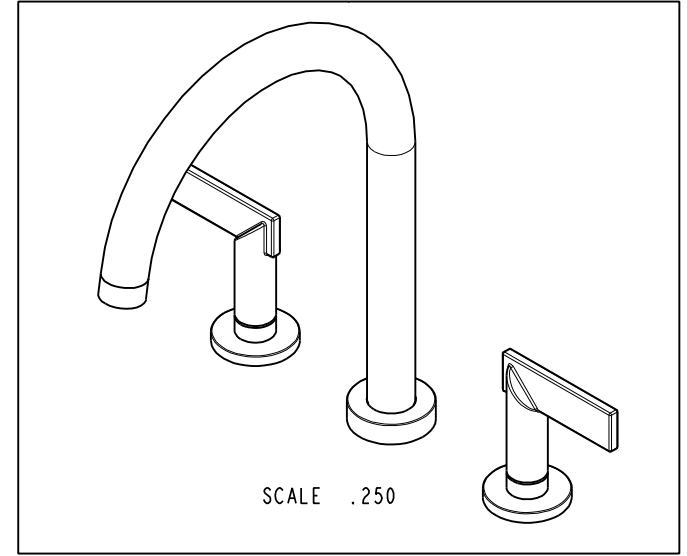


NOTES:

(N1) 1. FIT / FORM / FUNCTION SHALL FOLLOW PS-E.008.

BILL OF MATERIAL (CURRENT LEVEL)

ITEM	PT/ASSY	DESCRIPTION	TYPE	QTY.
1	3-401	R/T SPOUT ASM	ASSEMBLY	1
2	3-608	LEVER HADNLE	ASSEMBLY	2



ZONE	REV	DESCRIPTION	DATE	APPROVED
-	C	EN-3334	01/08/18	J.A.
-	B	EN-2541-1	09/05/14	-
-	A	EN-1993	11/30/11	-
-	-	EN-0995-3	01/31/11	-

COPYRIGHT 2005 BRASSTECH, INC. THESE DRAWINGS AND THE DESIGNS DEPICTED HEREIN ARE THE PROPRIETARY PROPERTY OF BRASSTECH. ANY USE OR REPRODUCTION IS SUBJECT TO THE EXPRESS APPROVAL OF BRASSTECH. UNAUTHORIZED USE IS STRICTLY PROHIBITED. ALL RIGHTS RESERVED.

TESTING	ASSEMBLY	PLATING	POLISHING	MACHINING	TOOLING FIXTURE #
-	-	-	-	-	-
				APPLICATION	REMOVE ALL BURRS AND SHARP EDGES

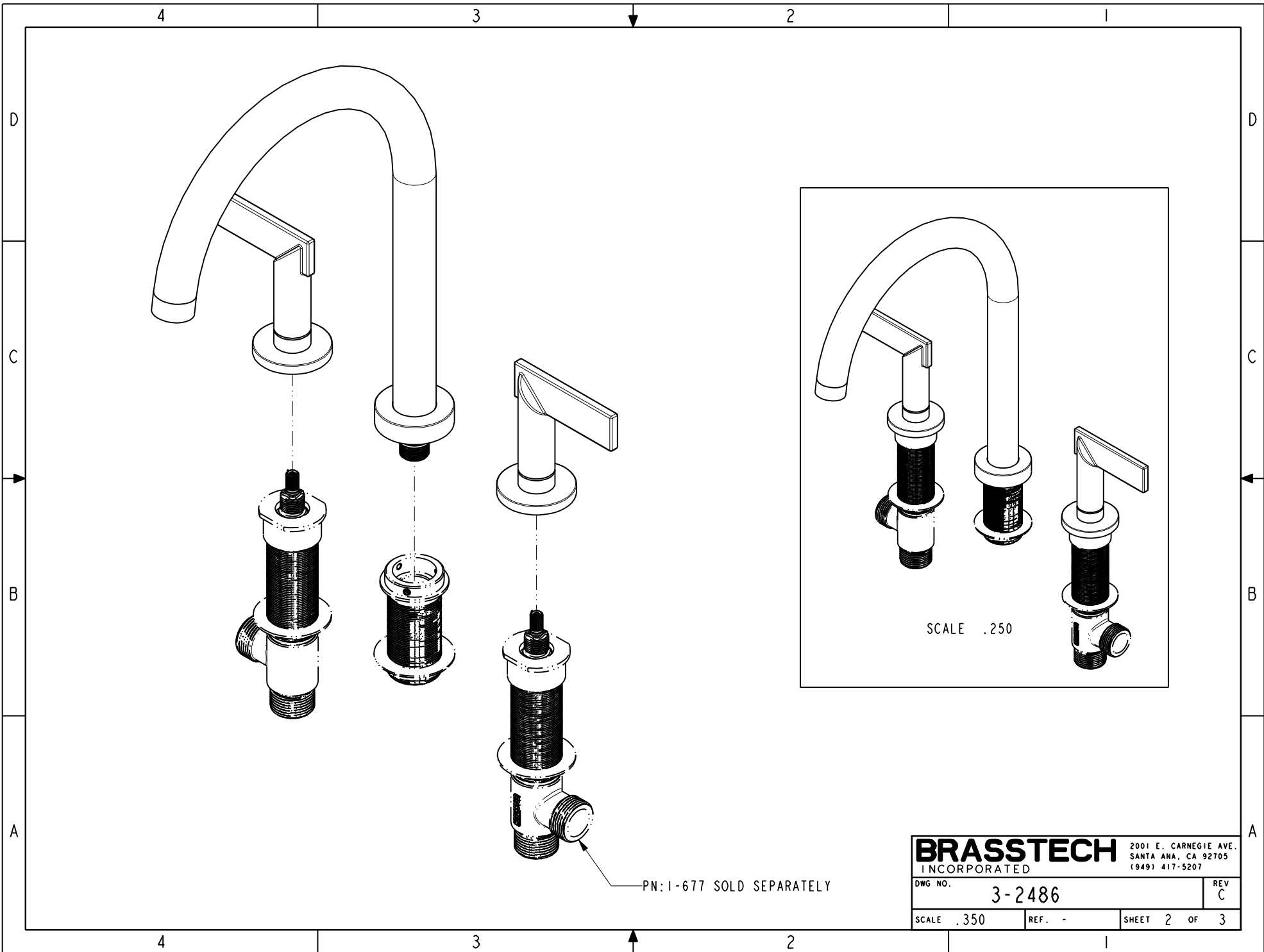
UNITS ARE:	TOLERANCES ARE:
INCHES [MM]	FRACTIONS DECIMALS ANGLES
	$\pm 1/16"$ $.X \pm .1$ [2.5] $\pm 1^\circ$
	$.XX \pm .06$ [1.5]
(X.XXX) DENOTES CRITICAL DIMS. ALL THREADS ARE CRITICAL	
DRAWN	JINSON 01/08/18
CHECKED	J.A. 01/08/18
APPROVED	J.A. 01/08/18

BRASSTECH 2001 CARNEGIE AVE. SANTA ANA, CA 92705 (949) 417-5207
INCORPORATED

R/T BATH SET C-SPOUT

DWG NO. **3-2486** REV C

SCALE .500 REF. - SHEET 1 OF 3



PN:1-677 SOLD SEPARATELY

BRASSTECH		2001 E. CARNEGIE AVE.	
INCORPORATED		SANTA ANA, CA 92705	
		(949) 417-5207	
DWG NO.	3-2486	REV	C
SCALE .350	REF. -	SHEET 2	OF 3

