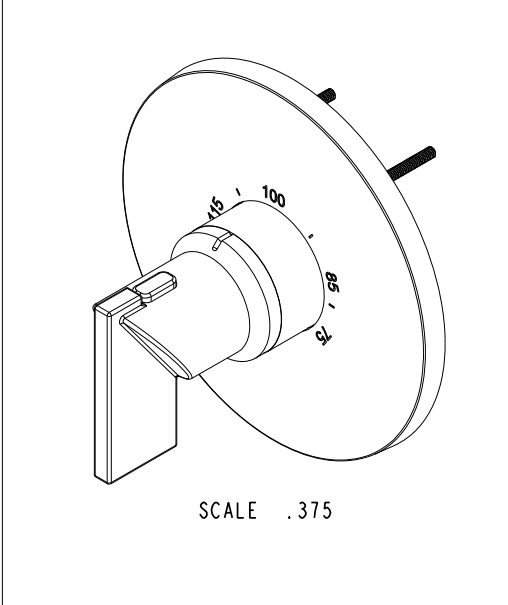
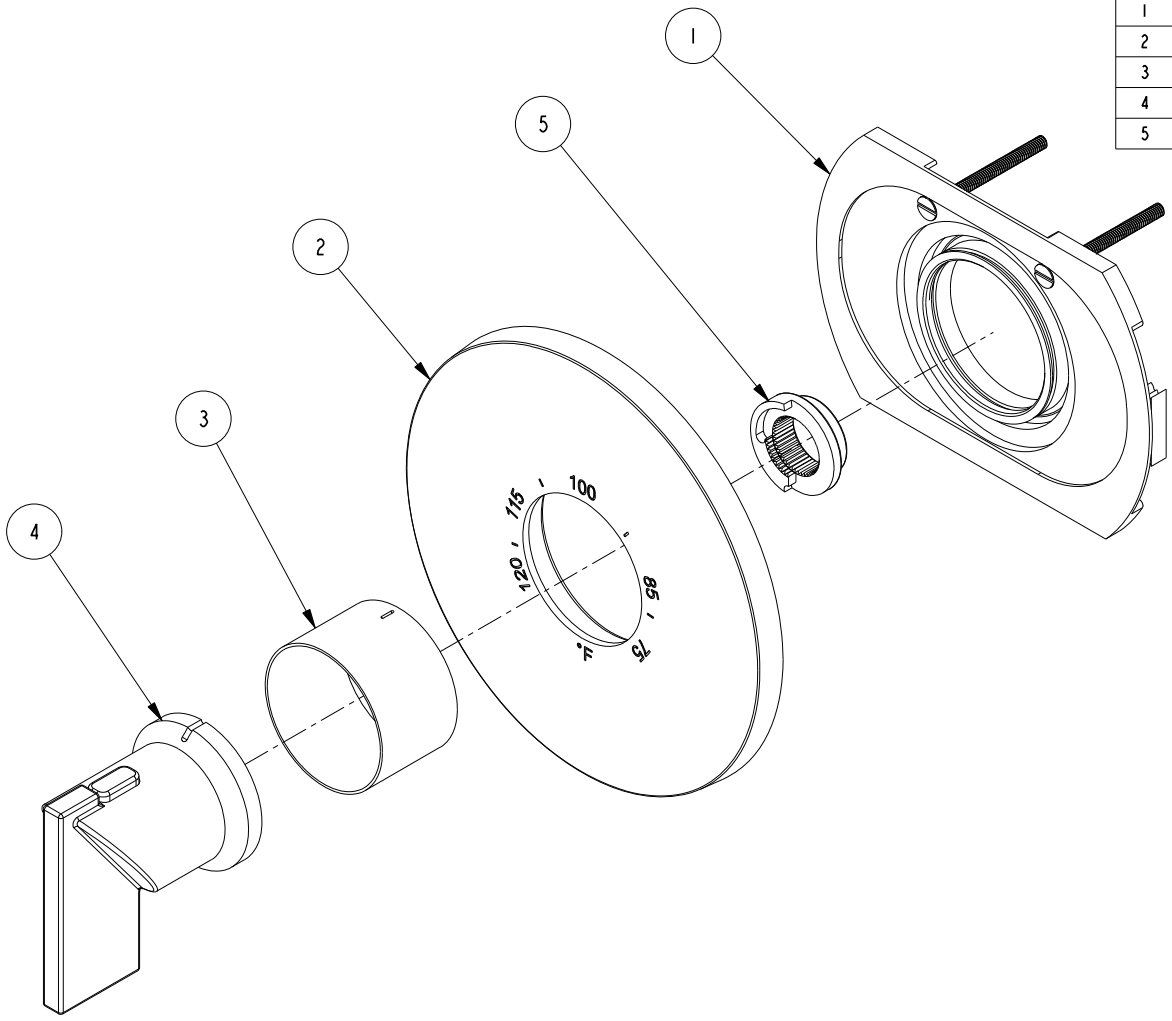


| BILL OF MATERIAL (CURRENT LEVEL) | | | | |
|----------------------------------|---------|-------------------------------|----------|------|
| ITEM | PT/ASSY | DESCRIPTION | TYPE | QTY. |
| 1 | 1-331 | THERMO WALL PLATE ASM | ASSEMBLY | 1 |
| 2 | 12120 | THERMO PLATE | PART | 1 |
| 3 | 11029 | SLEEVE - THERMO | PART | 1 |
| 4 | 8-034 | THERMO BONNET W/ LEVER HANDLE | ASSEMBLY | 1 |
| 5 | 91308 | TEMP LIMIT STOP - THERMO | PART | 1 |



COPYRIGHT 2005 BRASSTECH, INC. THESE DRAWINGS AND THE DESIGNS DEPICTED HEREIN ARE THE PROPRIETARY PROPERTY OF BRASSTECH. ANY USE OR REPRODUCTION IS SUBJECT TO THE EXPRESS APPROVAL OF BRASSTECH. UNAUTHORIZED USE IS STRICTLY PROHIBITED. ALL RIGHTS RESERVED.

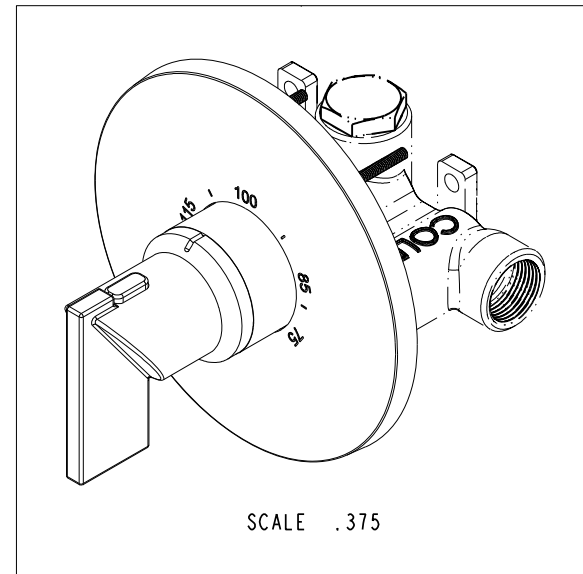
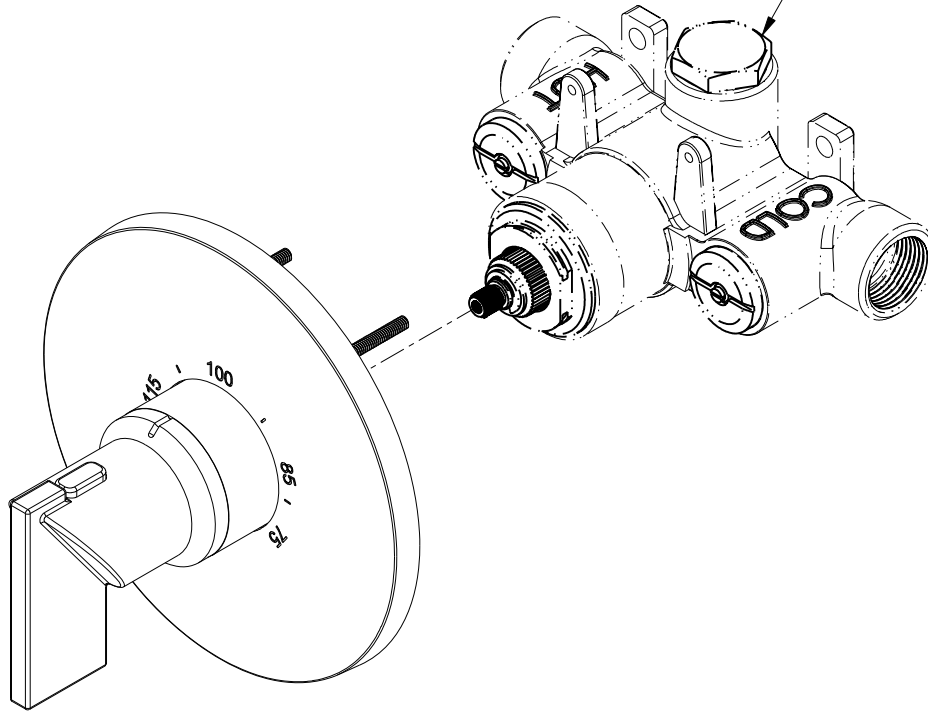
BRASSTECH
INCORPORATED
2001 E. CARNEGIE AVE.
SANTA ANA, CA 92705
(949) 417-5207

THERMOSTATIC TRIM

| | | | | | |
|------------|----------|--------------|-----|-----------|----------|
| ASSY. NO. | 3-2484TR | | A | EN-2161 | 09/29/14 |
| SCALE .438 | REF. - | SHEET 1 OF 3 | - | EN-0995-3 | 01/03/11 |
| | | | REV | REV DESC | DATE |

SPECIFICATION DWG

PN: 1-540
SOLD SEPARATELY

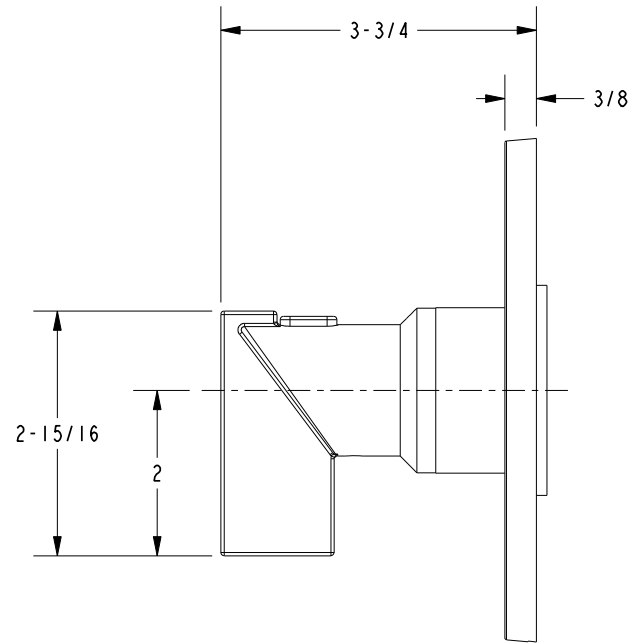
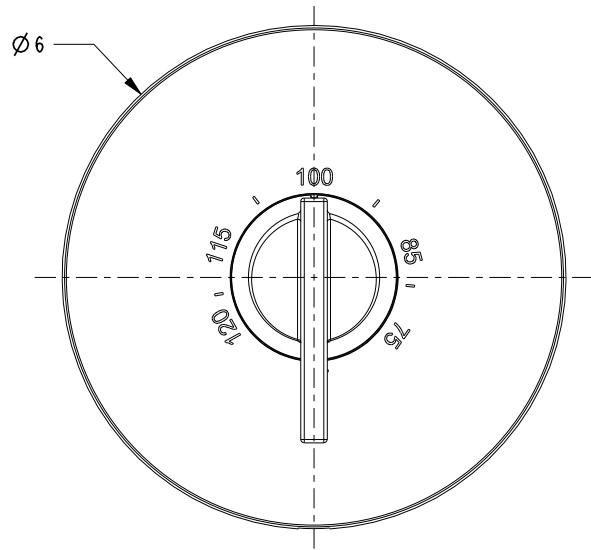


DIMENSIONS ARE IN INCHES AND AN APPROXIMATION OF A TYPICAL INSTALLATION

COPYRIGHT 2005 BRASSTECH, INC. THESE DRAWINGS AND THE DESIGNS DEPICTED HEREIN ARE THE PROPRIETARY PROPERTY OF BRASSTECH. ANY USE OR REPRODUCTION IS SUBJECT TO THE EXPRESS APPROVAL OF BRASSTECH. UNAUTHORIZED USE IS STRICTLY PROHIBITED. ALL RIGHTS RESERVED.

| | | |
|------------------|----------|---------------------|
| BRASSTECH | | 2001 CARNEGIE AVE. |
| INCORPORATED | | SANTA ANA, CA 92705 |
| | | (949) 417-5207 |
| DWG NO. | 3-2484TR | REV A |
| SCALE .438 | REF. - | SHEET 2 OF 3 |

SPECIFICATION DWG



DIMENSIONS ARE IN INCHES AND AN APPROXIMATION OF A TYPICAL INSTALLATION

COPYRIGHT 2005 BRASSTECH, INC. THESE DRAWINGS AND THE DESIGNS DEPICTED HEREIN ARE THE PROPRIETARY PROPERTY OF BRASSTECH. ANY USE OR REPRODUCTION IS SUBJECT TO THE EXPRESS APPROVAL OF BRASSTECH. UNAUTHORIZED USE IS STRICTLY PROHIBITED. ALL RIGHTS RESERVED.

| | | |
|------------------|----------|---------------------|
| BRASSTECH | | 2001 CARNEGIE AVE. |
| INCORPORATED | | SANTA ANA, CA 92705 |
| | | (949) 417-5207 |
| DWG NO. | 3-2484TR | REV A |
| SCALE .438 | REF. - | SHEET 3 OF 3 |