

4

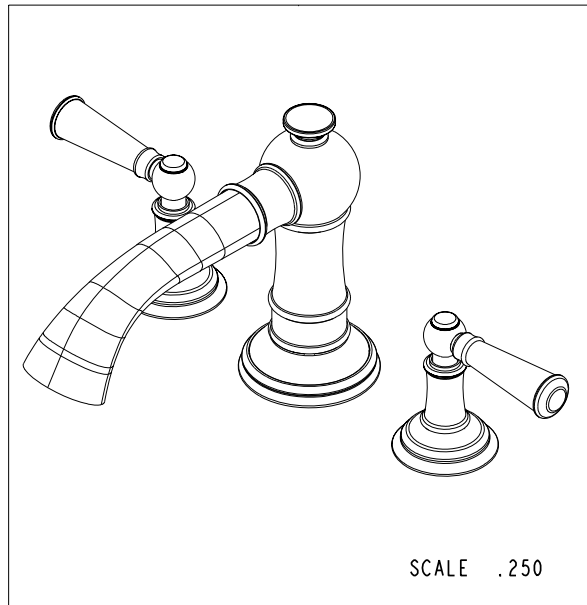
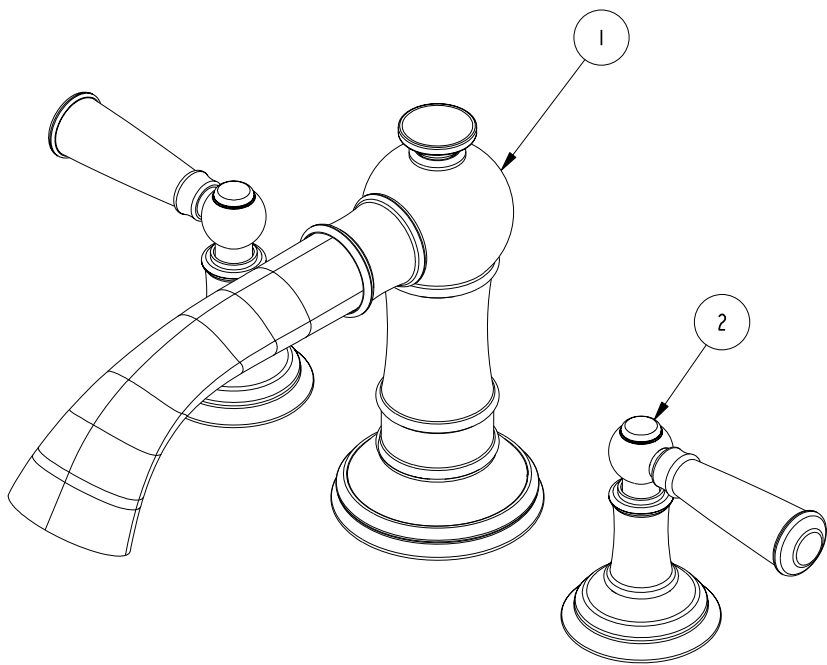
3

2

1

**BILL OF MATERIAL (CURRENT LEVEL)**

ITEM	PT/ASSY	DESCRIPTION	TYPE	QTY.
1	3-384	SPOUT ASM W/ ESC ROMAN TUB	ASSEMBLY	1
2	3-373	LEVER HANDLE AND ESC. ASM	ASSEMBLY	2



COPYRIGHT 2005 BRASSTECH, INC. THESE DRAWINGS AND THE DESIGNS DEPICTED HEREIN ARE THE PROPRIETARY PROPERTY OF BRASSTECH. ANY USE OR REPRODUCTION IS SUBJECT TO THE EXPRESS APPROVAL OF BRASSTECH. UNAUTHORIZED USE IS STRICTLY PROHIBITED. ALL RIGHTS RESERVED.

**BRASSTECH**  
 INCORPORATED  
 2001 E. CARNEGIE AVE.  
 SANTA ANA, CA 92705  
 (949) 417-5207

R/T DECK TRIM

ASSY. NO. 3-2416

SCALE .375

REF. -

SHEET 1 OF 3

A	EN-2032	01/07/14
-	EN-1266	05/07/10
REV	REV DESC	DATE

4

3

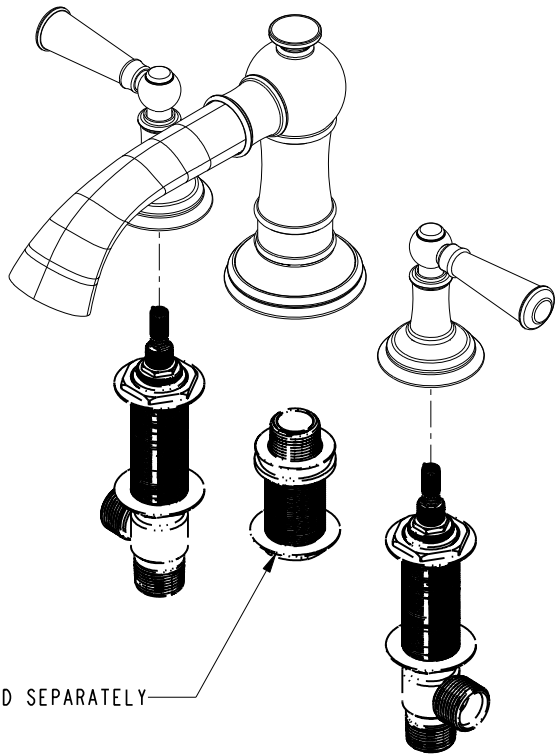
2

1

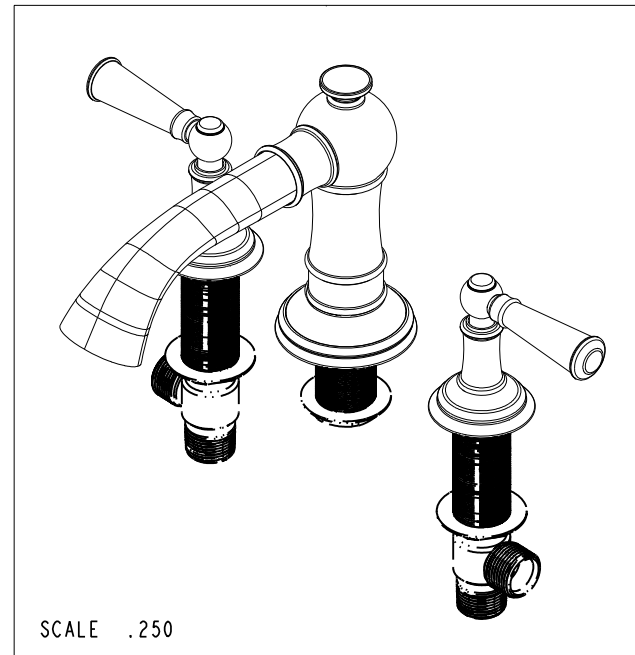
4 3 2 1

↓

**SPECIFICATION DWG**



PN: 1-502 SOLD SEPARATELY

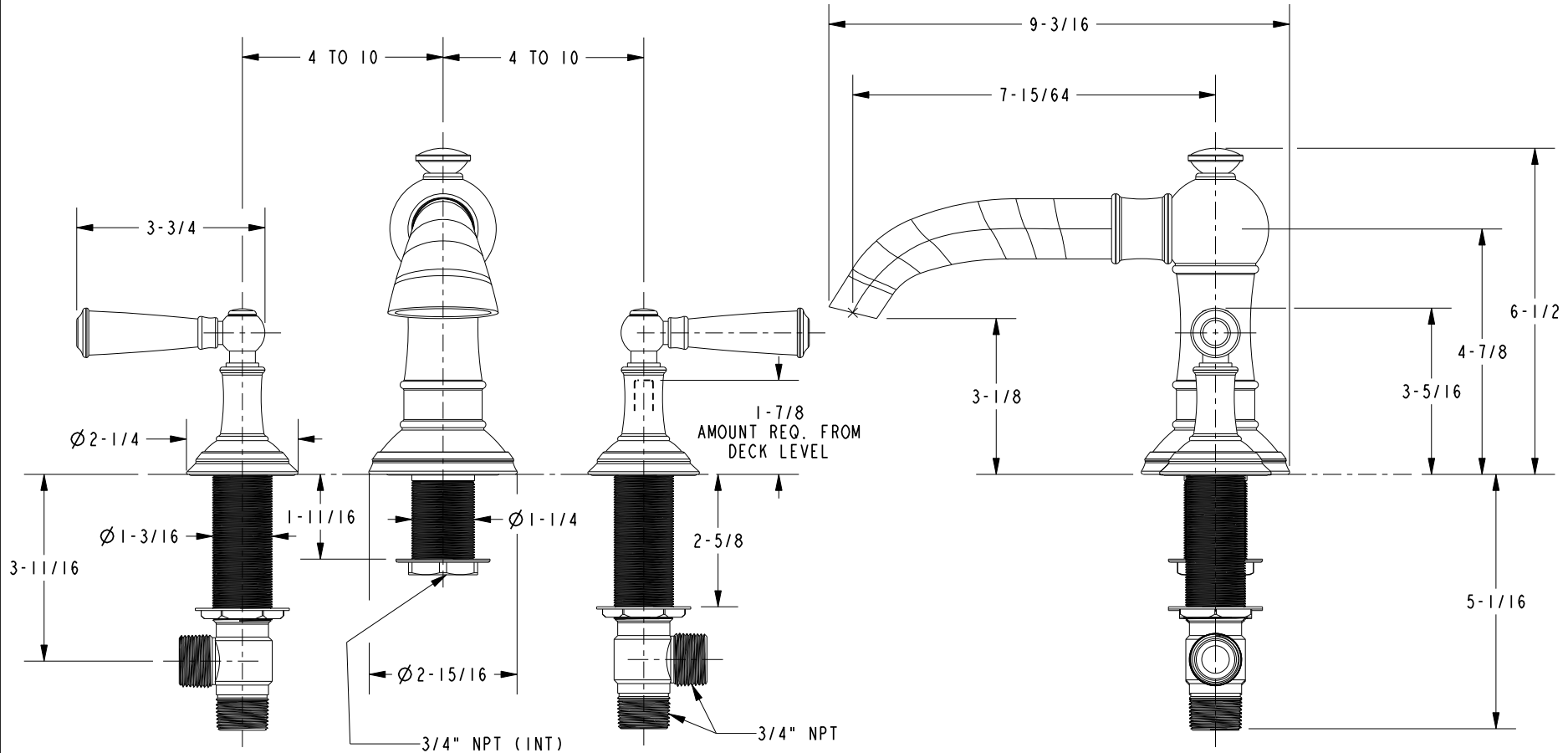


DIMENSIONS ARE IN INCHES AND AN APPROXIMATION OF A TYPICAL INSTALLATION

COPYRIGHT 2005 BRASSTECH, INC. THESE DRAWINGS AND THE DESIGNS DEPICTED HEREIN ARE THE PROPRIETARY PROPERTY OF BRASSTECH. ANY USE OR REPRODUCTION IS SUBJECT TO THE EXPRESS APPROVAL OF BRASSTECH. UNAUTHORIZED USE IS STRICTLY PROHIBITED. ALL RIGHTS RESERVED.

<b>BRASSTECH</b> INCORPORATED		2001 CARNEGIE AVE. SANTA ANA, CA 92705 (949) 417-5207	
		DWG NO. 3-2416	REV A
SCALE .250	REF. -	SHEET 2 OF 3	

**SPECIFICATION DWG**



DIMENSIONS ARE IN INCHES AND AN APPROXIMATION OF A TYPICAL INSTALLATION

COPYRIGHT 2005 BRASSTECH, INC. THESE DRAWINGS AND THE DESIGNS DEPICTED HEREIN ARE THE PROPRIETARY PROPERTY OF BRASSTECH. ANY USE OR REPRODUCTION IS SUBJECT TO THE EXPRESS APPROVAL OF BRASSTECH. UNAUTHORIZED USE IS STRICTLY PROHIBITED. ALL RIGHTS RESERVED.

<b>BRASSTECH</b>		2001 CARNEGIE AVE. SANTA ANA, CA 92705 (949) 417-5207
INCORPORATED		
DWG NO.	3-2416	REV A
SCALE	.313	REF. -
SHEET 3		OF 3