

4

3

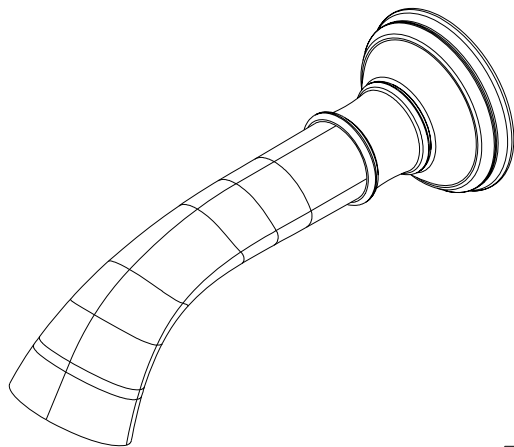
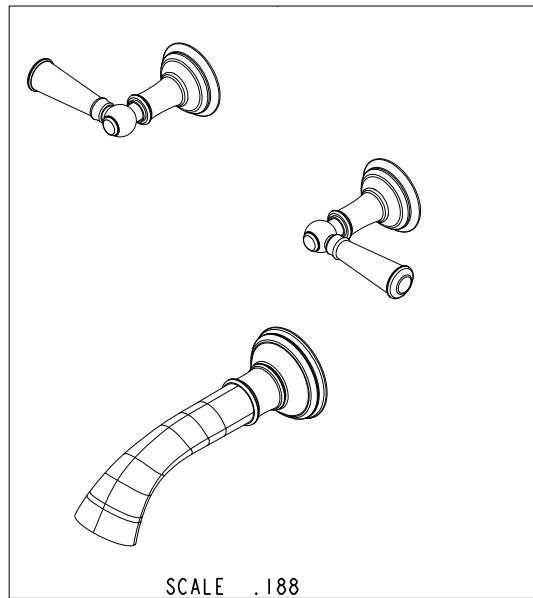
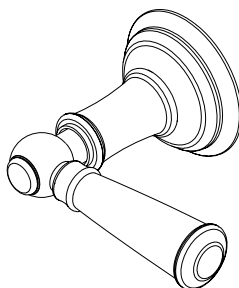
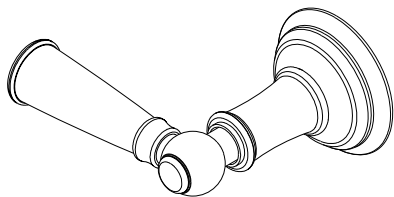
2

NOTES:

(N1) 1. FIT / FORM / FUNCTION SHALL FOLLOW PS-E.008.

BILL OF MATERIAL (CURRENT LEVEL)

ITEM	PT/ASSY	DESCRIPTION	TYPE	QTY.
1	3-373	LEVER HANDLE AND ESC. ASM	ASSEMBLY	2
2	3-383	SPOUT ASM W/ESCUTCHEOM WALL TUB	ASSEMBLY	1



COPYRIGHT 2005 BRASSTECH, INC.
 THESE DRAWINGS AND THE DESIGNS
 DEPICTED HEREIN ARE THE PROPRIETARY
 PROPERTY OF BRASSTECH. ANY USE
 OR REPRODUCTION IS SUBJECT TO
 THE EXPRESS APPROVAL OF BRASSTECH.
 UNAUTHORIZED USE IS STRICTLY
 PROHIBITED. ALL RIGHTS RESERVED.

TESTING	-	-	-	UNITS ARE: INCHES [MM]	
ASSEMBLY	-	-	-	TOLERANCES ARE:	
PLATING	-	-	-	FRACTIONS DECIMALS ANGLES	
POLISHING	-	NEXT ASSY	USED ON	±1/16" .X ±.1 [2.5] ±1°	
MACHINING	-	APPLICATION		(X.XXX) DENOTES CRITICAL DIMS.	
TOOLING FIXTURE #		REMOVE ALL BURRS AND SHARP EDGES		ALL THREADS ARE CRITICAL	
				DRAWN	
				CHECKED	
				APPROVED	

BRASSTECH 2001 CARNEGIE AVE.
 INCORPORATED SANTA ANA, CA 92705
 (949) 417-5207

WALL MOUNTED TUB TRIM

DWG NO. **3-2415** REV A

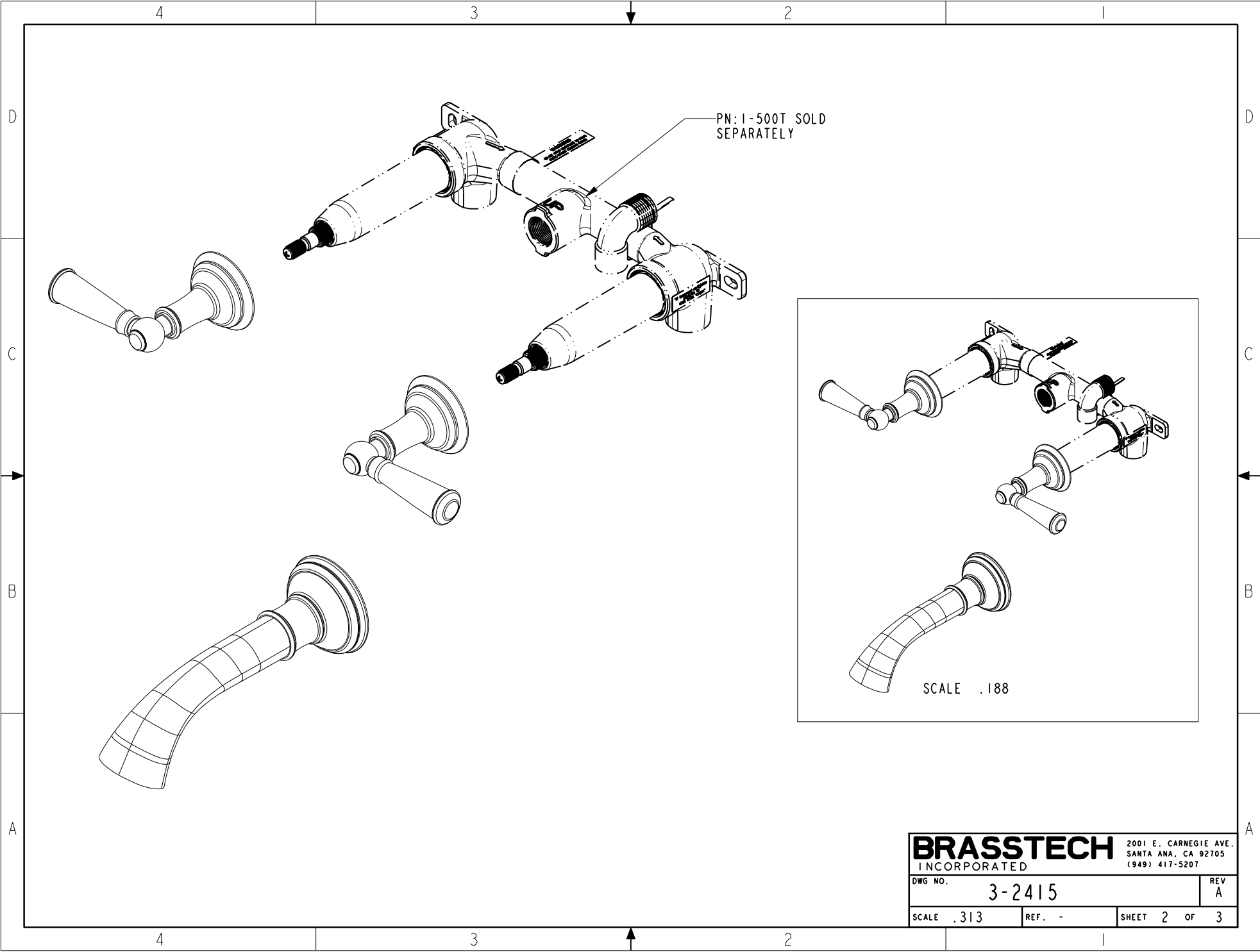
SCALE .375 REF. - SHEET 1 OF 3

-	A	EN-3072	12/20/17	J.M.
-	-	EN-1266	05/07/10	-
ZONE	REV	DESCRIPTION	DATE	APPROVED

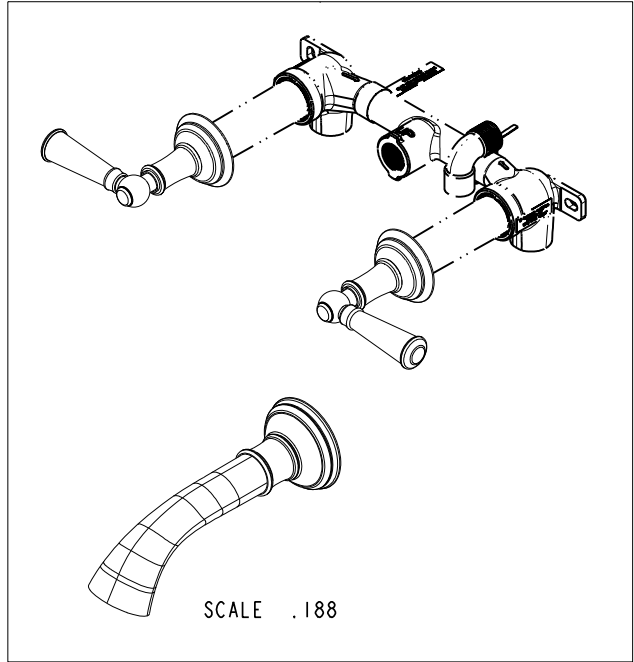
4

3

2



PN: I-500T SOLD SEPARATELY

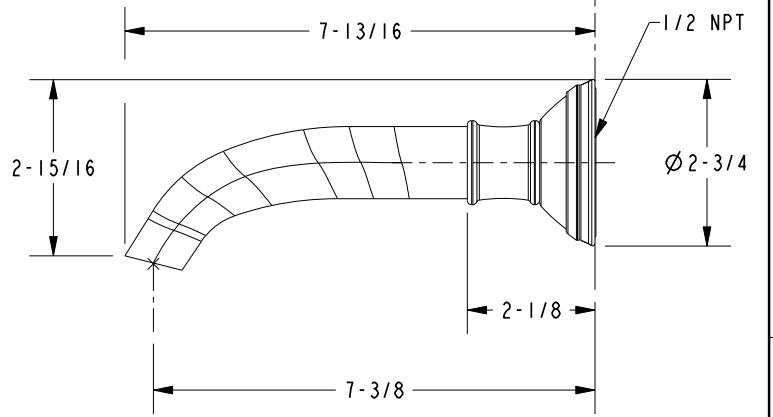
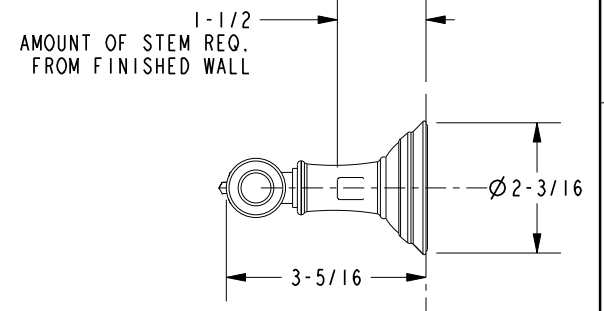
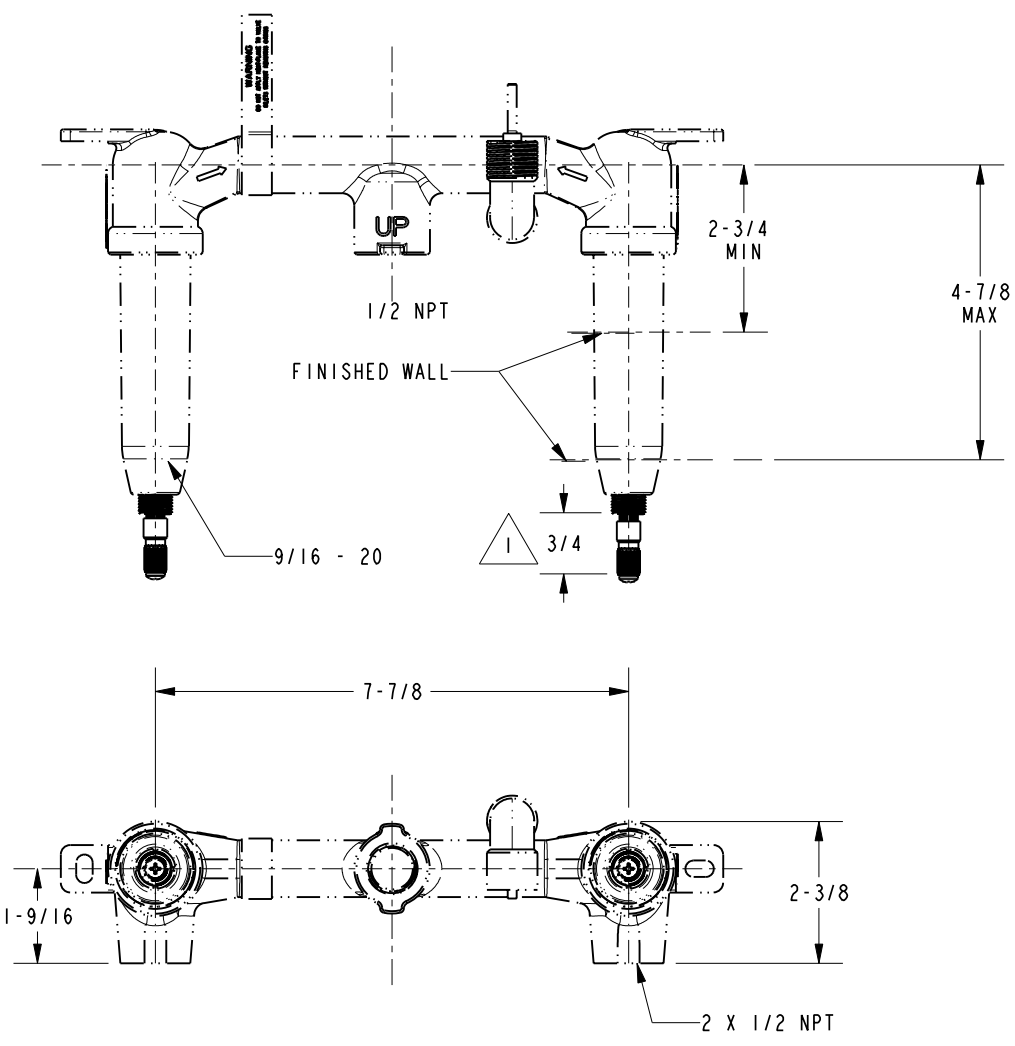


SCALE .188

BRASSTECH		2001 E. CARNEGIE AVE.	
INCORPORATED		SANTA ANA, CA 92705	
		(949) 417-5207	
DWG NO.	3-2415	REV	A
SCALE .313	REF. -	SHEET 2	OF 3

NOTES:

1 CUT ALL THREAD 3/4" SHORTER THAN STEM



BRASSTECH		2001 E. CARNEGIE AVE.	
INCORPORATED		SANTA ANA, CA 92705	
		(949) 417-5207	
DWG NO.	3-2415	REV	A
SCALE	.313	REF.	-
		SHEET	3 OF 3