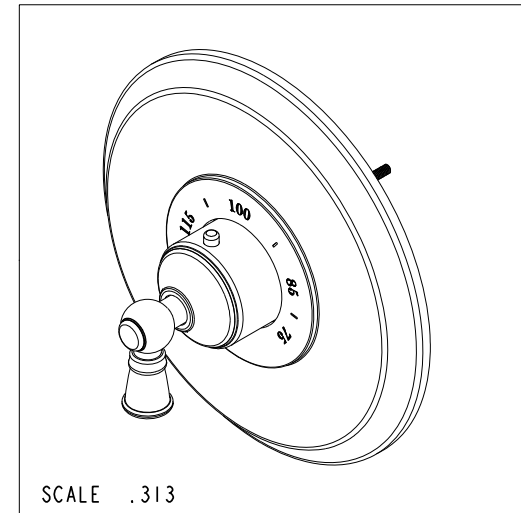
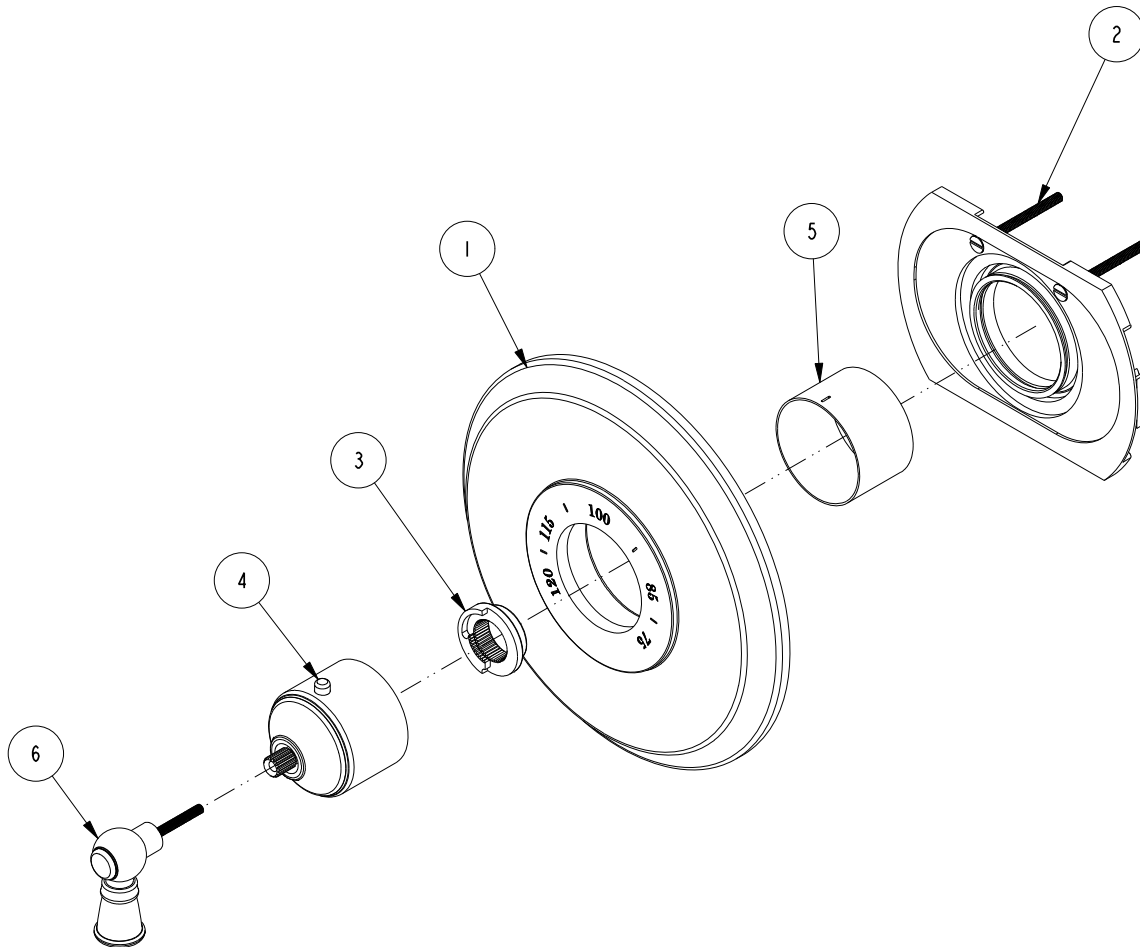


NOTES:

(N1) 1. FIT / FORM / FUNCTION SHALL FOLLOW PS-E.008.

**BILL OF MATERIAL (CURRENT LEVEL)**

ITEM	PT/ASSY	DESCRIPTION	TYPE	QTY.
1	12119	THERMO PLATE	PART	1
2	1-331	THERMO WALL PLATE ASM	ASSEMBLY	1
3	91308	TEMP LIMIT STOP - THERMO	PART	1
4	2-683	THERMO BONNET ASM	ASSEMBLY	1
5	11029	SLEEVE - THERMO	PART	1
6	2-682	THERMO LEVER HANDLE ASM	ASSEMBLY	1



-	C	EN-2161e	02/27/15	J.M
-	B	EN-1928	10/11/11	-
-	A	EN-1719	03/30/11	-
-	-	EN-1266	05/05/10	-
ZONE	REV	DESCRIPTION	DATE	APPROVED

COPYRIGHT 2005 BRASSTECH, INC. THESE DRAWINGS AND THE DESIGNS DEPICTED HEREIN ARE THE PROPRIETARY PROPERTY OF BRASSTECH. ANY USE OR REPRODUCTION IS SUBJECT TO THE EXPRESS APPROVAL OF BRASSTECH. UNAUTHORIZED USE IS STRICTLY PROHIBITED. ALL RIGHTS RESERVED.

TESTING	-	-	-
ASSEMBLY	-	-	-
PLATING	-	-	-
POLISHING	-	NEXT ASSY	USED ON
MACHINING	-	APPLICATION	
TOOLING	FIXTURE #	REMOVE ALL BURRS AND SHARP EDGES	

UNITS ARE: INCHES [MM]  
 TOLERANCES ARE:  
 FRACTIONS DECIMALS ANGLES  
 $\pm 1/16"$   $.X \pm .1$  [2.5]  $\pm 1^\circ$   
 $.XX \pm .06$  [1.5]

(X.XXX) DENOTES CRITICAL DIMS.  
 ALL THREADS ARE CRITICAL

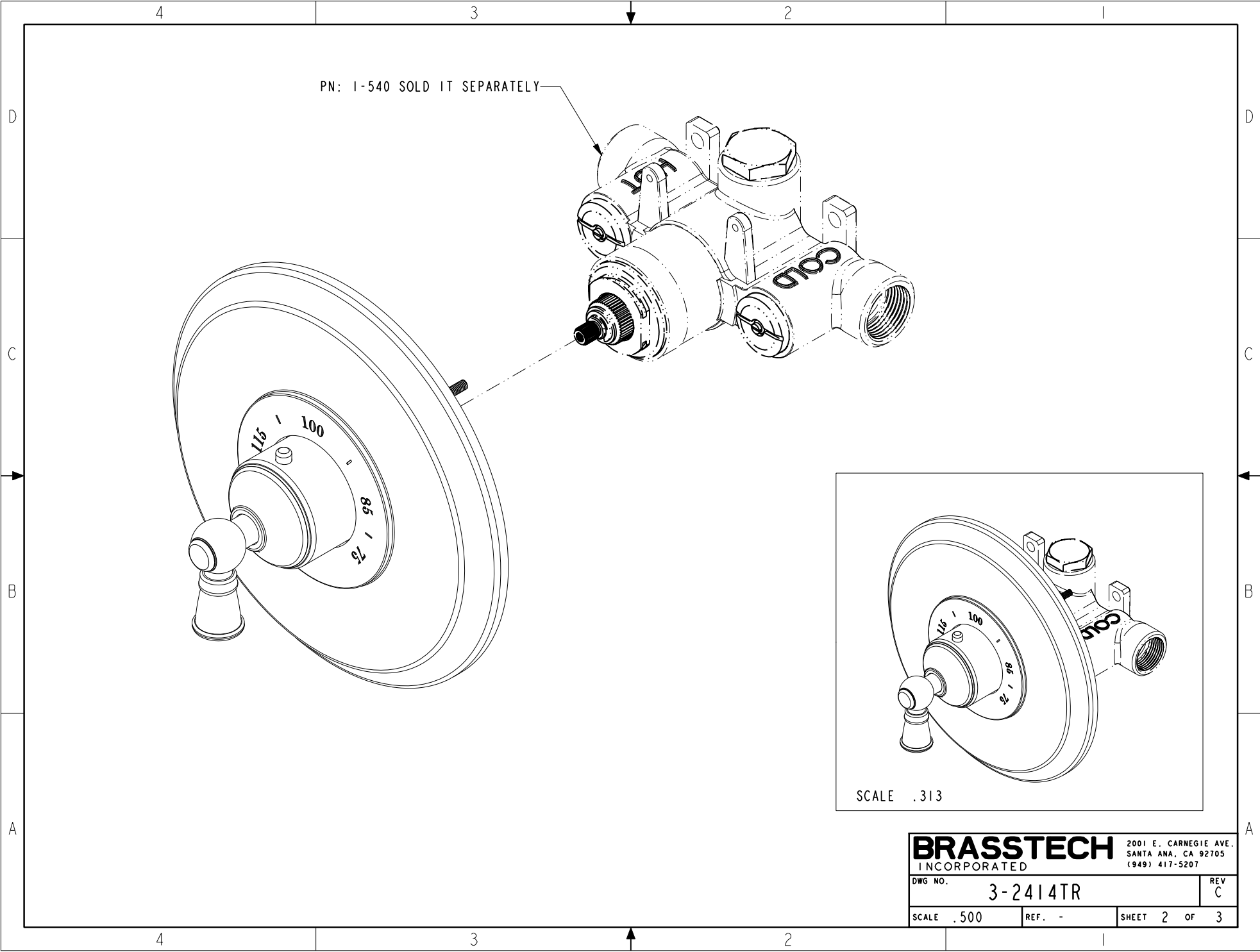
DRAWN RAVINDRA 02/27/15  
 CHECKED RK PAI 02/27/15  
 APPROVED JINSON 02/27/15

**BRASSTECH** 2001 CARNEGIE AVE.  
 INCORPORATED SANTA ANA, CA 92705  
 (949) 417-5207

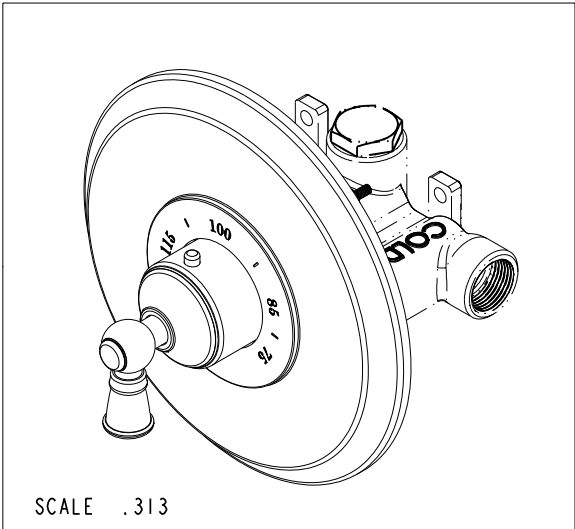
**ROUND TRIM PLATE/HANDLE  
 FOR 3/4" THERMO**

DWG NO. **3-2414TR** REV C

SCALE .313 REF. - SHEET 1 OF 3

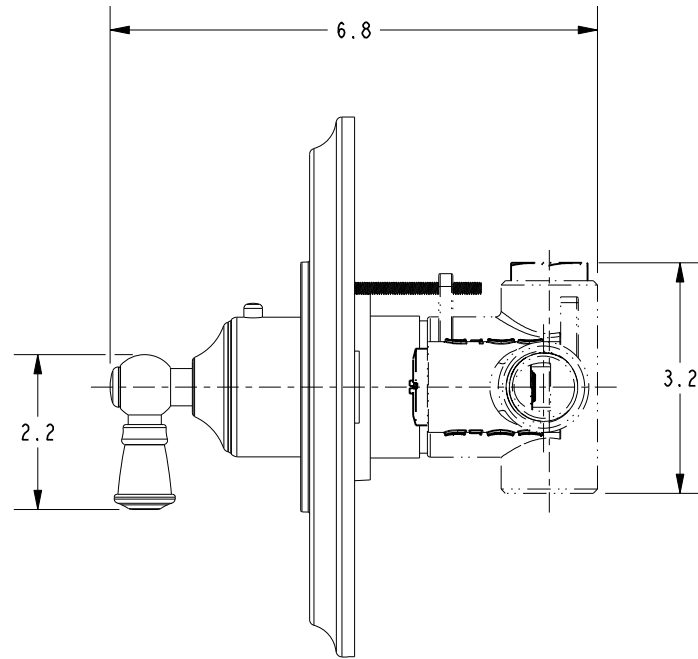
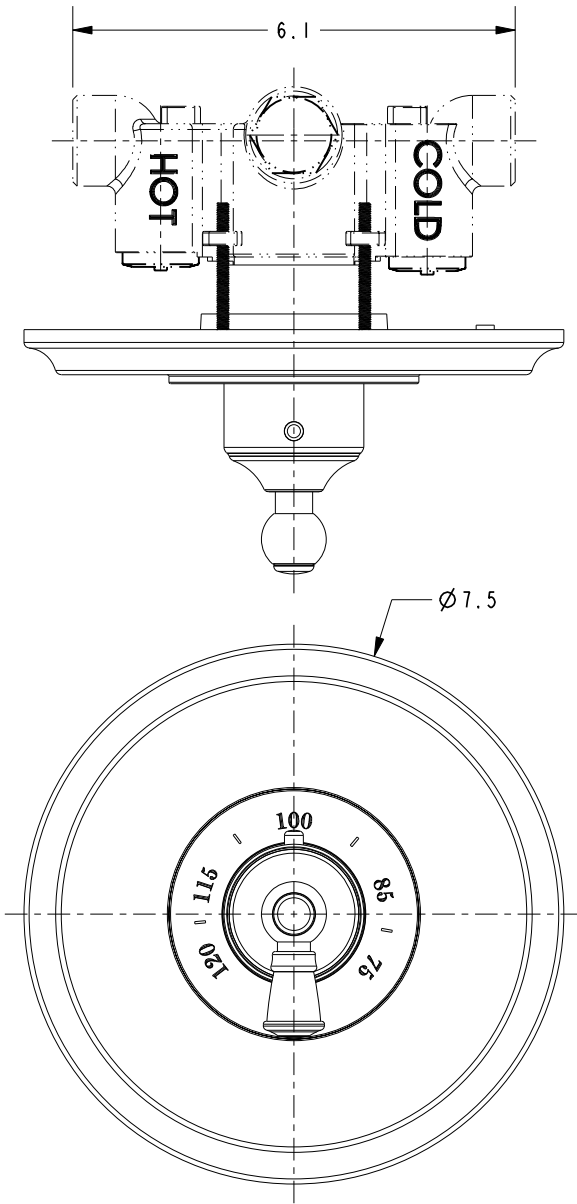


PN: 1-540 SOLD IT SEPARATELY



SCALE .313

<b>BRASSTECH</b>		2001 E. CARNEGIE AVE.	
INCORPORATED		SANTA ANA, CA 92705	
DWG NO. 3-2414TR		REV C	
SCALE .500	REF. -	SHEET 2 OF 3	



<b>BRASSTECH</b>		2001 E. CARNEGIE AVE.	
INCORPORATED		SANTA ANA, CA 92705	
		(949) 417-5207	
DWG NO.	3-2414TR	REV	C
SCALE .375	REF. -	SHEET 3	OF 3