

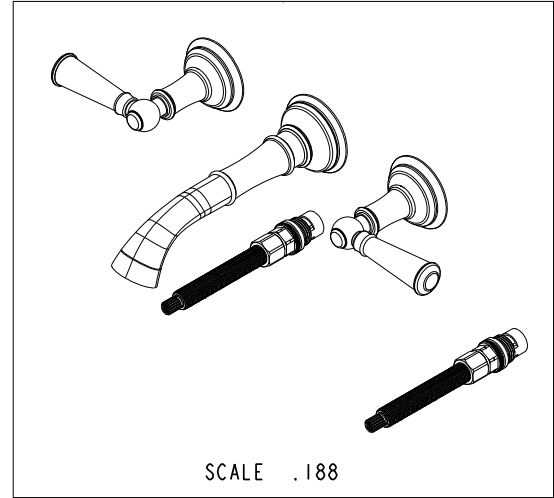
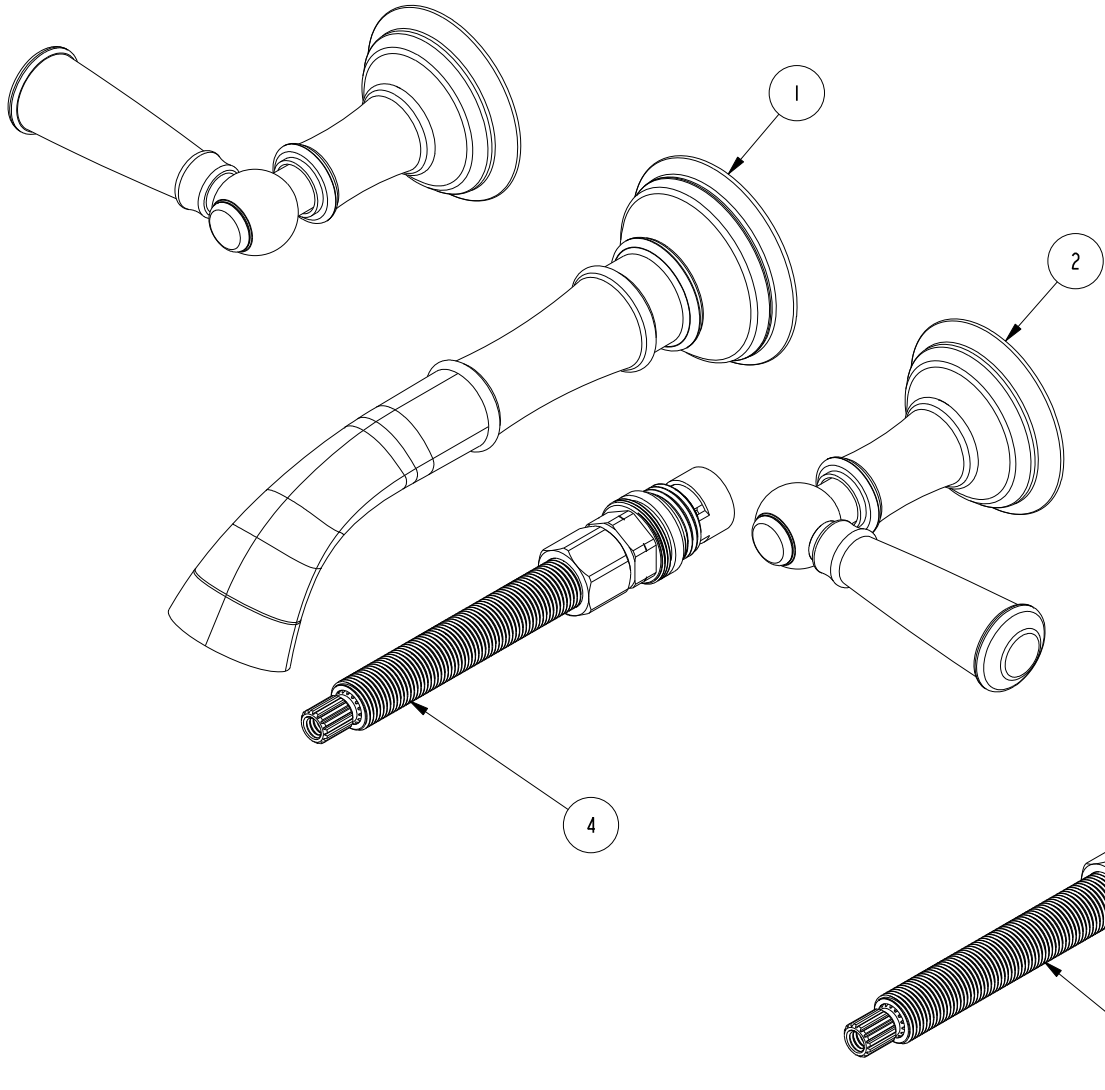
4

3

2

BILL OF MATERIAL (CURRENT LEVEL)

ITEM	PT/ASSY	DESCRIPTION	TYPE	QTY.
1	3-380	SPOUT ASM, WITH ESC WALL LAV	ASSEMBLY	1
2	3-373	LEVER HANDLE AND ESC. ASM	ASSEMBLY	2
3	1-543	T/S TORQ. CARTRIDGE COLD	ASSEMBLY	1
4	1-544	T/S TORQ. CARTRIDGE HOT	ASSEMBLY	1



COPYRIGHT 2005 BRASSTECH, INC. THESE DRAWINGS AND THE DESIGNS DEPICTED HEREIN ARE THE PROPRIETARY PROPERTY OF BRASSTECH. ANY USE OR REPRODUCTION IS SUBJECT TO THE EXPRESS APPROVAL OF BRASSTECH. UNAUTHORIZED USE IS STRICTLY PROHIBITED. ALL RIGHTS RESERVED.

BRASSTECH
 INCORPORATED
 2001 E. CARNEGIE AVE.
 SANTA ANA, CA 92705
 (949) 417-5207

WALL MOUNTED LAVATORY TRIM KIT ASM

ASSY. NO. 3-2411		-	-	-
SCALE .500	REF. -	SHEET 1 OF 3	REV	REV DESC
				DATE

4

3

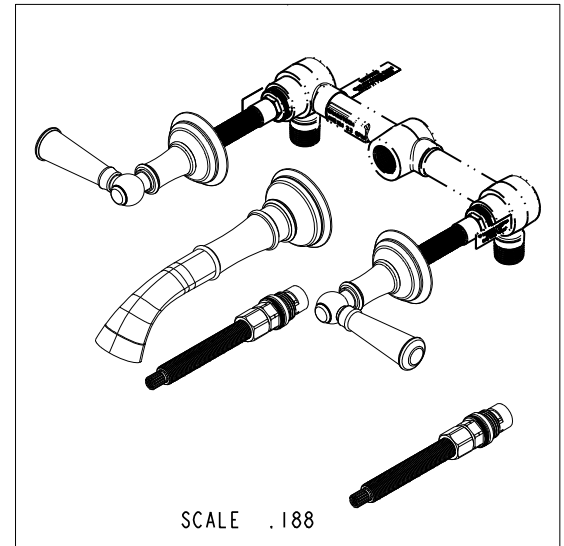
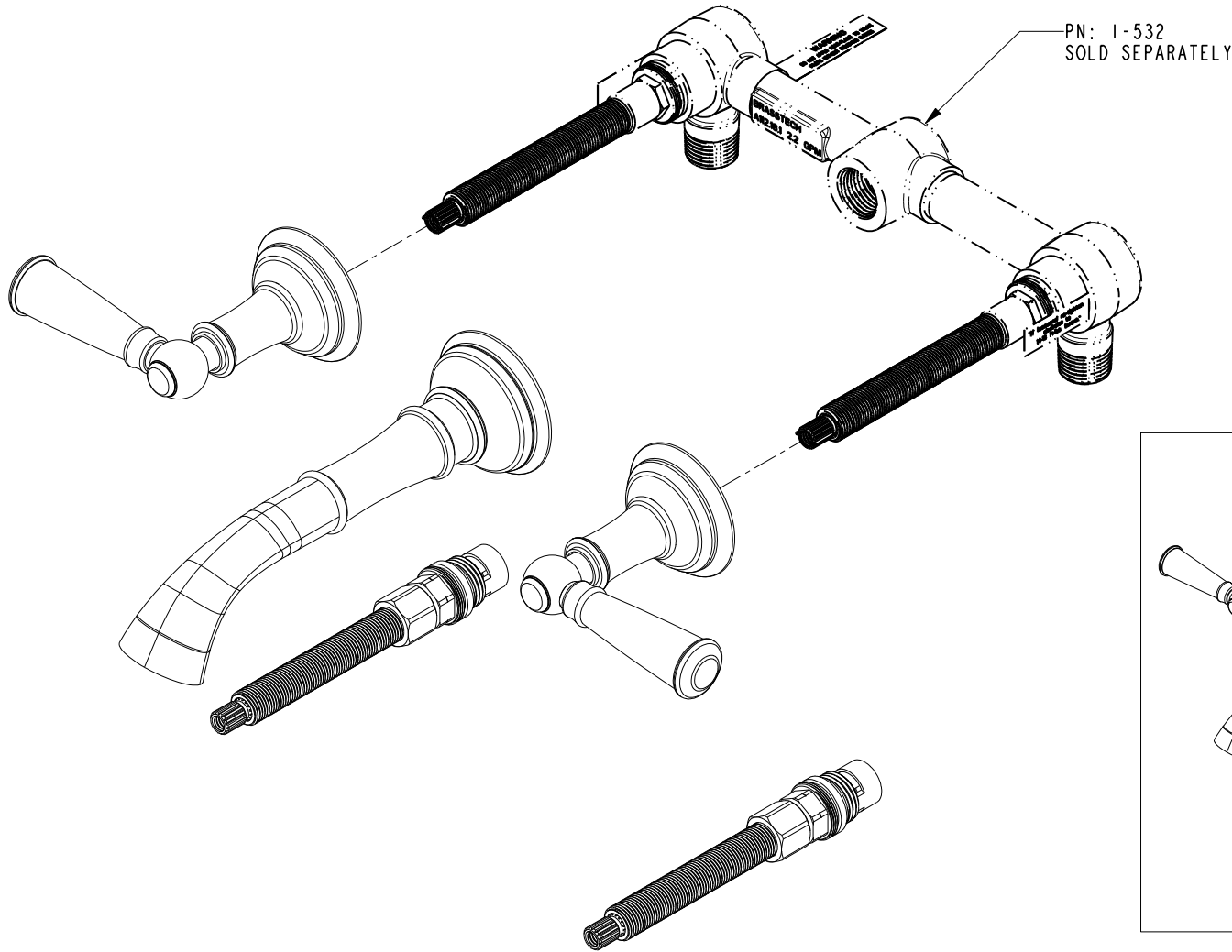
2

1

4 3 2 1

↓

SPECIFICATION DWG



DIMENSIONS ARE IN INCHES AND AN APPROXIMATION OF A TYPICAL INSTALLATION

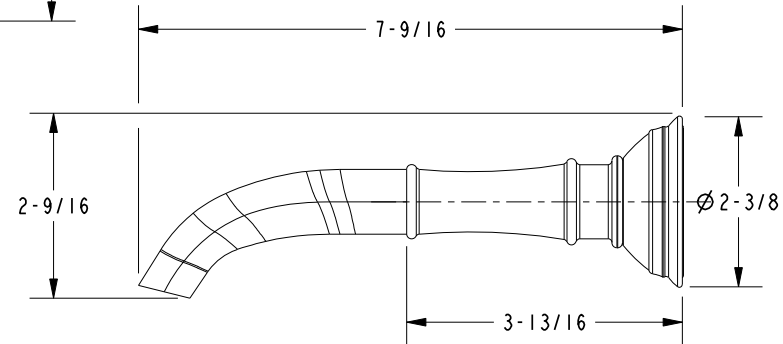
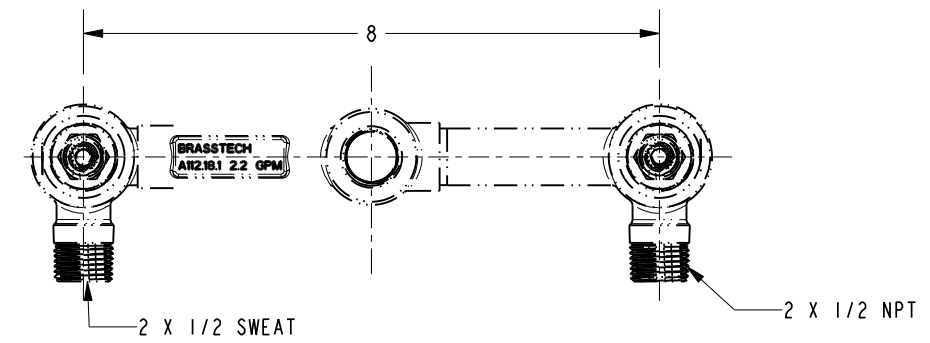
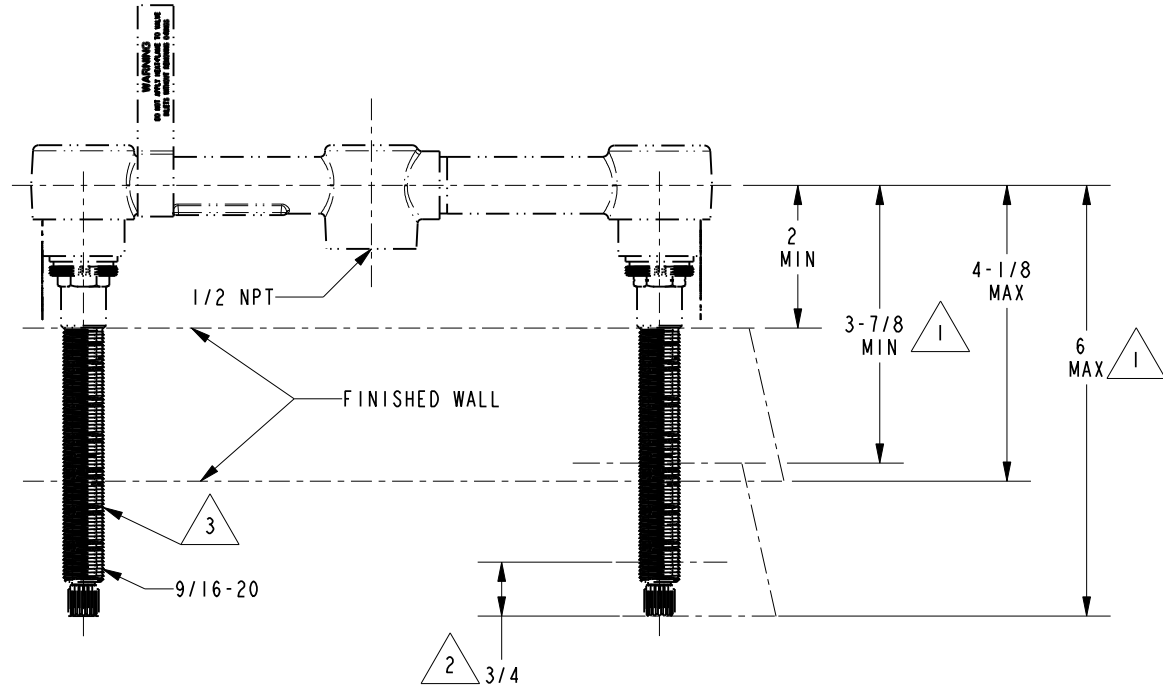
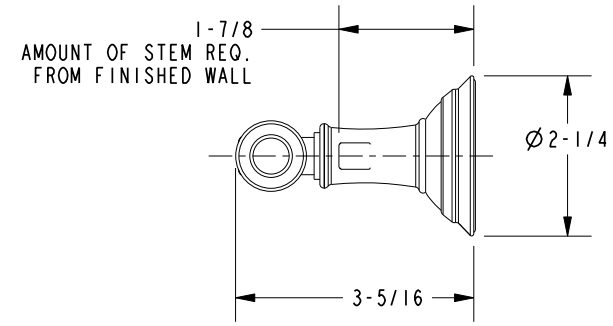
COPYRIGHT 2005 BRASSTECH, INC. THESE DRAWINGS AND THE DESIGNS DEPICTED HEREIN ARE THE PROPRIETARY PROPERTY OF BRASSTECH. ANY USE OR REPRODUCTION IS SUBJECT TO THE EXPRESS APPROVAL OF BRASSTECH. UNAUTHORIZED USE IS STRICTLY PROHIBITED. ALL RIGHTS RESERVED.

BRASSTECH		2001 E. CARNEGIE AVE.	
INCORPORATED		SANTA ANA, CA 92705	
		(949) 417-5207	
DWG NO.	3-2411	REV	-
SCALE .375	REF. -	SHEET 2	OF 3

SPECIFICATION DWG

NOTES:

- 1. CUT STEM AS SHOWN.
- 2. CUT ALL THREADS 3/4" SHORTER THAN STEM
- 3. PN: 1-532 TO BE SOLD SEPARATELY.



ESCUTCHEON AND SPOUT ASM

DIMENSIONS ARE IN INCHES AND AN APPROXIMATION OF A TYPICAL INSTALLATION

COPYRIGHT 2005 BRASSTECH, INC. THESE DRAWINGS AND THE DESIGNS DEPICTED HEREIN ARE THE PROPRIETARY PROPERTY OF BRASSTECH. ANY USE OR REPRODUCTION IS SUBJECT TO THE EXPRESS APPROVAL OF BRASSTECH. UNAUTHORIZED USE IS STRICTLY PROHIBITED. ALL RIGHTS RESERVED.

BRASSTECH		2001 E. CARNEGIE AVE.	
INCORPORATED		SANTA ANA, CA 92705	
		(949) 417-5207	
DWG NO.	3-2411	REV	-
SCALE	.375	REF.	-
		SHEET	3 OF 3