

4

3

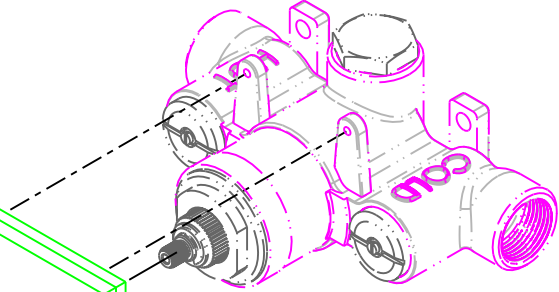
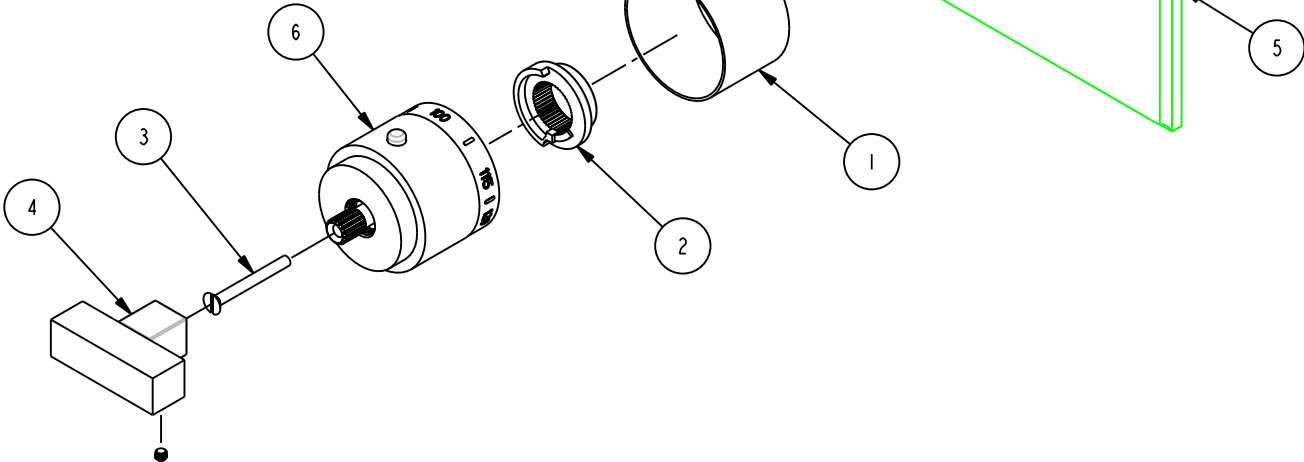
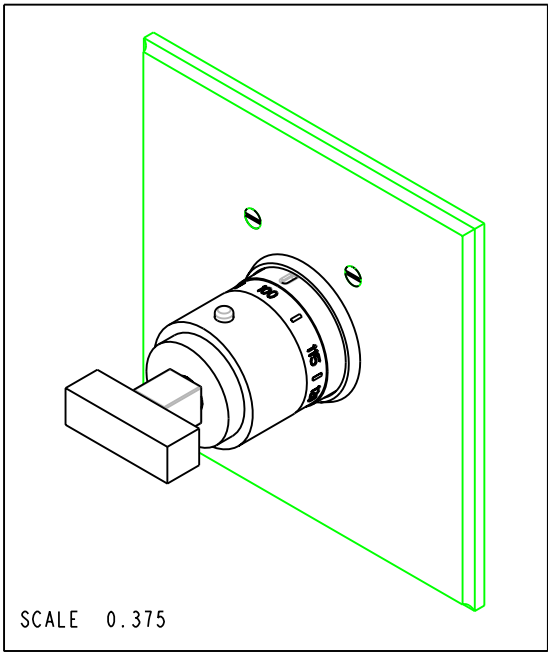
2

1

**BILL OF MATERIAL (CURRENT LEVEL)**

ITEM	PT/ASSY	DESCRIPTION	TYPE	QTY.
1	11029	SLEEVE - THERMO	PART	1
2	91308	TEMP LIMIT STOP - THERMO	PART	1
3	92113	SCRW M4 X .7 X 35	PART	1
4	2-271	THERMO HANDLE ASM-2020	ASSEMBLY	1
5	2-338	THERMO SQUARE PLATE ASSEMBLY	ASSEMBLY	1
6	2-339	THERMO BONNET ASM - CONT	ASSEMBLY	1

92000 qty2  
 12487 qty1  
 jm  
 02/24/2017



**BRASSTECH** 2001 E. CARNEGIE AVE  
 INCORPORATED SANTA ANA, CA 92705  
 (949) 417-5207

SQUARE TRIM THERMO

ASSY. NO. 3-2024TS

A	EO-0078	09/16/02
-	RELEASED	03/01/01
REV	REV DESC	DATE

SCALE 0.375 REF. - SHEET 1 OF 1 COPYRIGHT ©

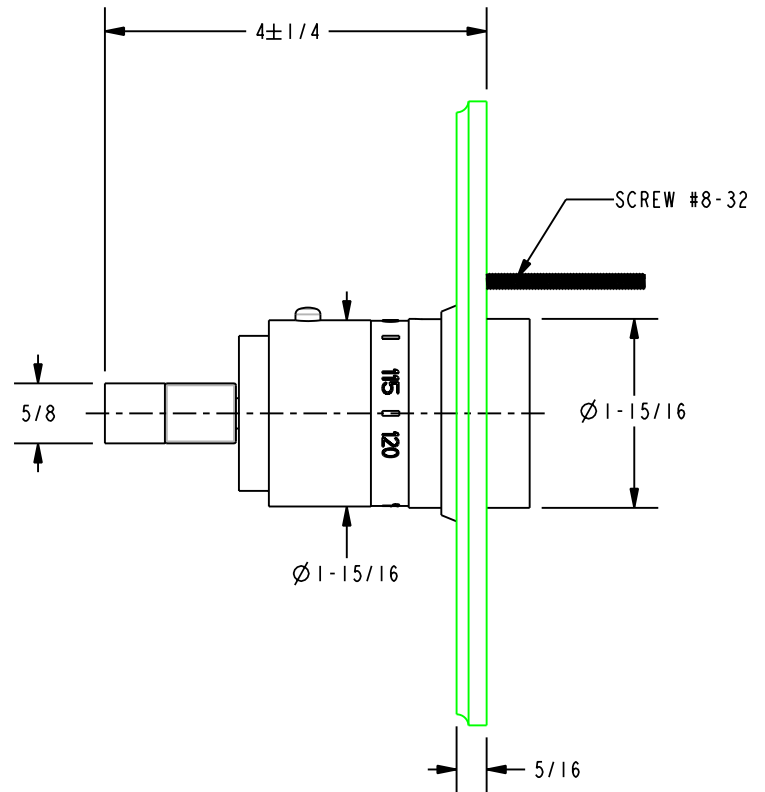
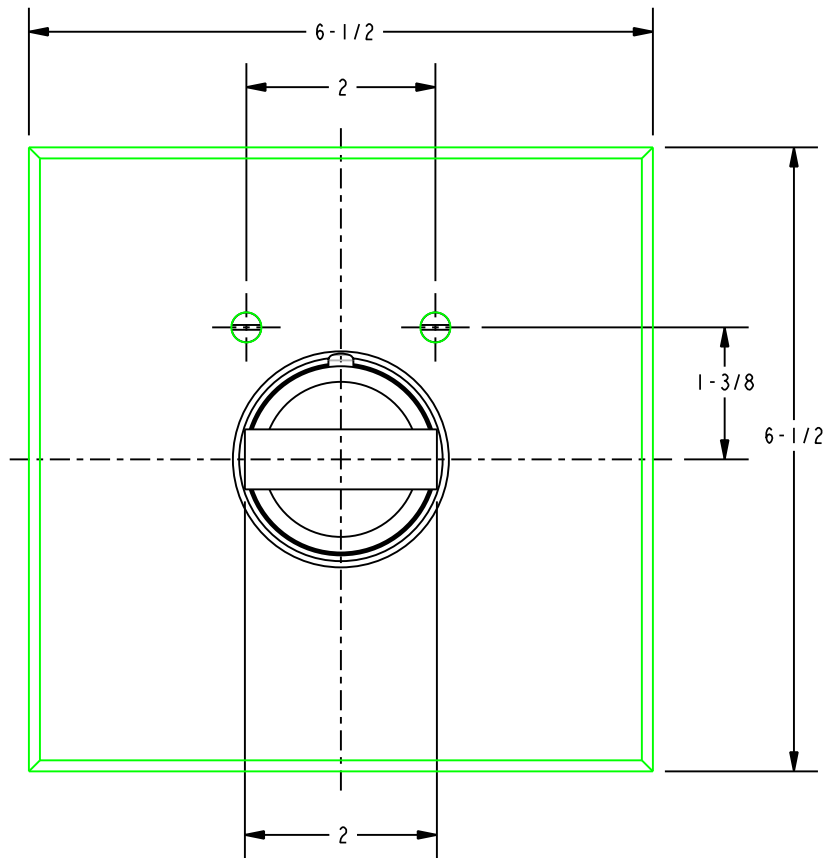
4

3

2

1

**SPECIFICATION DWG**



DIMENSIONS ARE IN INCHES AND AN APPROXIMATION OF A TYPICAL INSTALLATION

**BRASSTECH** 2001 E. CARNEGIE AVE.  
INCORPORATED SANTA ANA, CA 92705  
(949) 417-5207

SQUARE TRIM THERMO

ASSY. NO. 3-2024TS\_SPEC

SCALE 0.500

REF. -

SHEET 1 OF 1

COPYRIGHT ©

A	EO-0078	09/16/02
-	RELEASED	03/01/01
REV	REV DESC	DATE