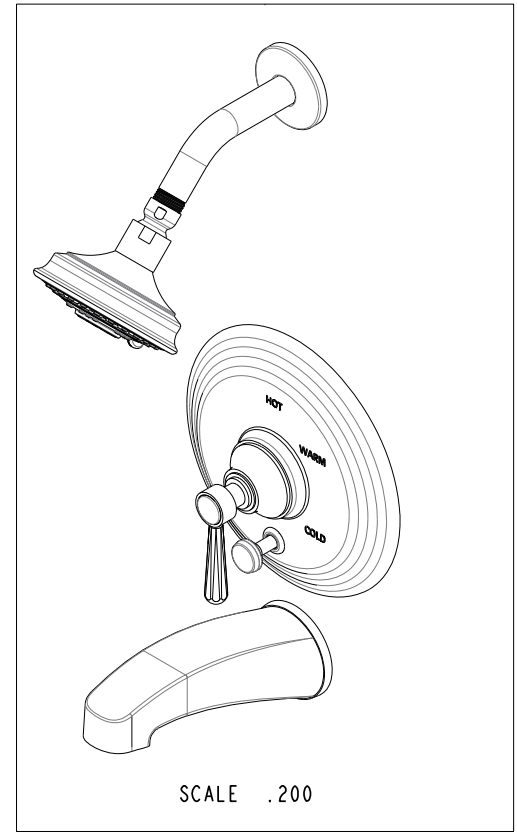
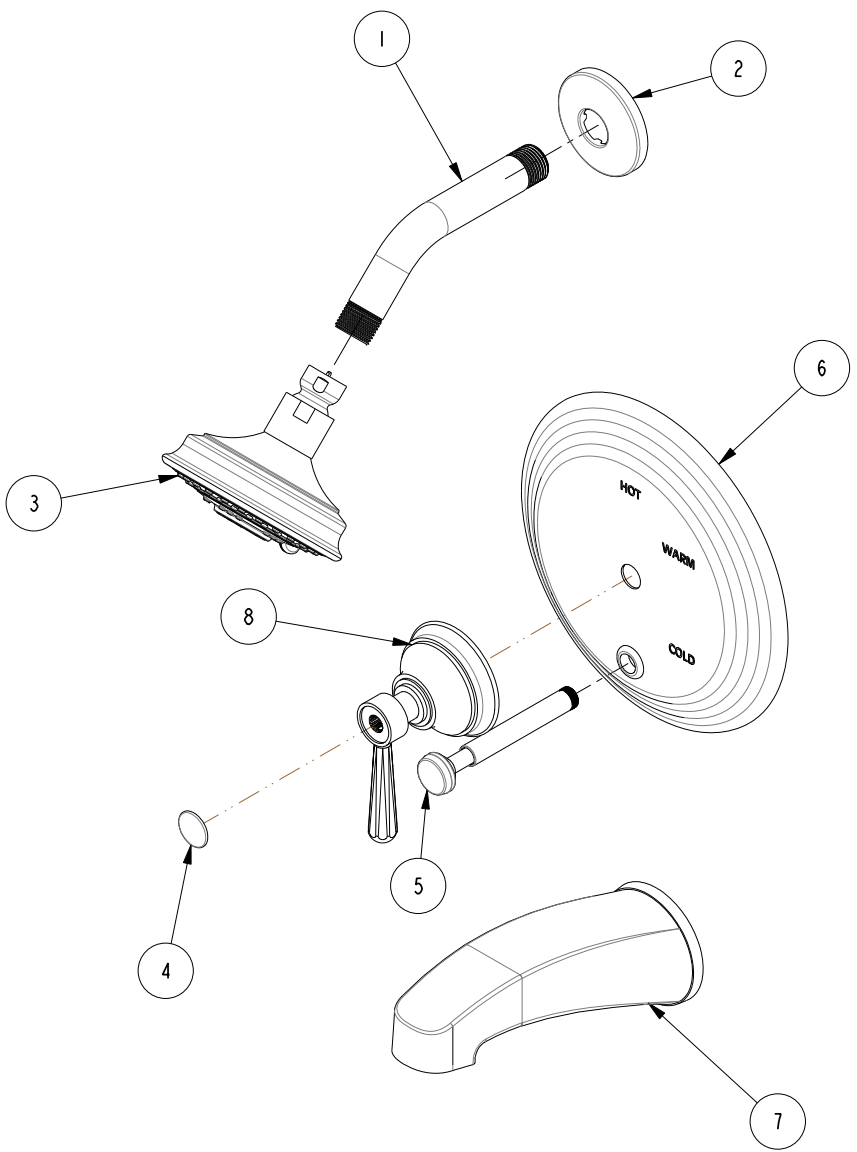


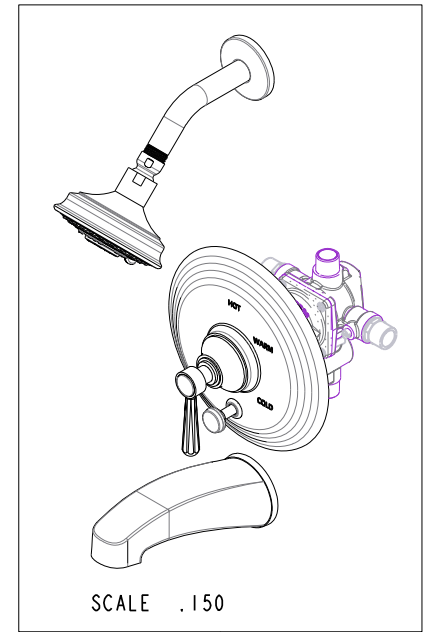
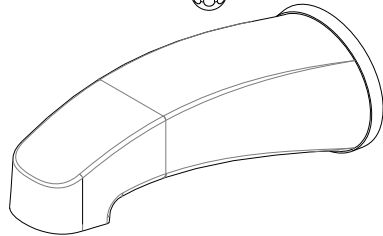
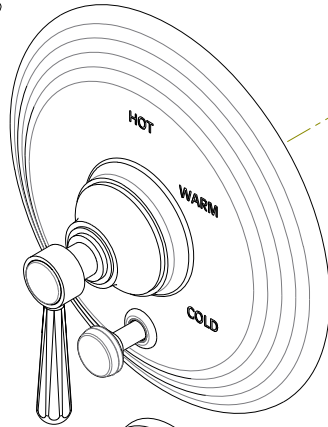
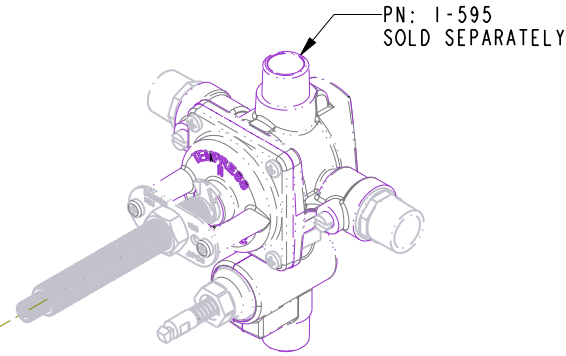
BILL OF MATERIAL (CURRENT LEVEL)				
ITEM	PT/ASSY	DESCRIPTION	TYPE	QTY.
1	200	SHOWER ARM 6" BRASS	PART	1
2	206	SHOWER ARM FLANGE	PART	1
3	2156	SHOWER HEAD, TRAD	ASSEMBLY	1
4	1-110	BLANK BUTTON W/ADHESIVE	ASSEMBLY	1
5	2-217	DIVERTER TRIM KIT	ASSEMBLY	1
6	2-224	COVERPLATE BP W/DIVERTER	ASSEMBLY	1
7	2-564	TUB SPOUT	ASSEMBLY	1
8	3-280L	HANDLE/ESCUTCHEON ASM	ASSEMBLY	1



COPYRIGHT 2005 BRASSTECH, INC. THESE DRAWINGS AND THE DESIGNS DEPICTED HEREIN ARE THE PROPRIETARY PROPERTY OF BRASSTECH. ANY USE OR REPRODUCTION IS SUBJECT TO THE EXPRESS APPROVAL OF BRASSTECH. UNAUTHORIZED USE IS STRICTLY PROHIBITED. ALL RIGHTS RESERVED.

BRASSTECH INCORPORATED	2001 E. CARNEGIE AVE. SANTA ANA, CA 92705 (949) 417-5207	TRIM KIT (3-1662BP)	ASSY. NO.	B	EN-2802	09/05/14
				A	EN-1745	08/22/11
				-	EO-0299	03/04/04
SCALE .250	REF. -	SHEET 1 OF 3	REV	REV DESC	DATE	

SPECIFICATION DWG



DIMENSIONS ARE IN INCHES AND AN APPROXIMATION OF A TYPICAL INSTALLATION

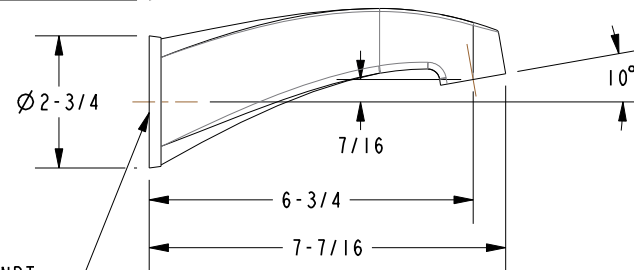
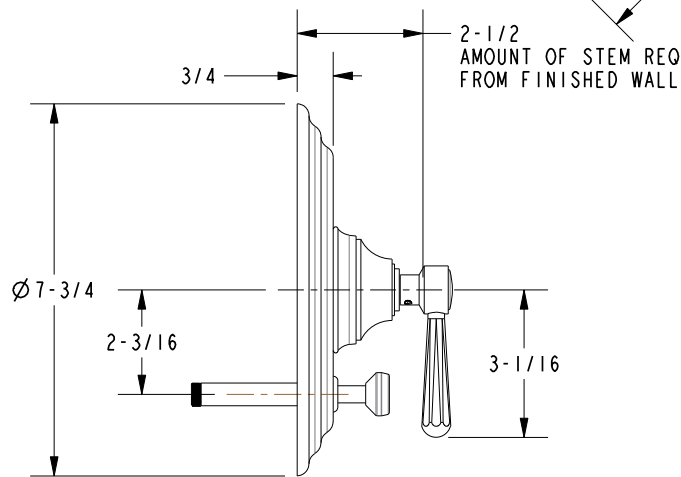
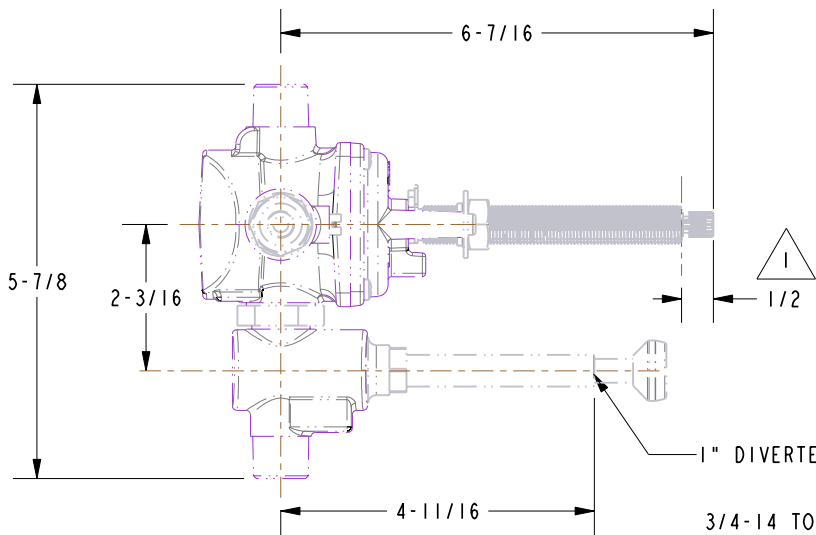
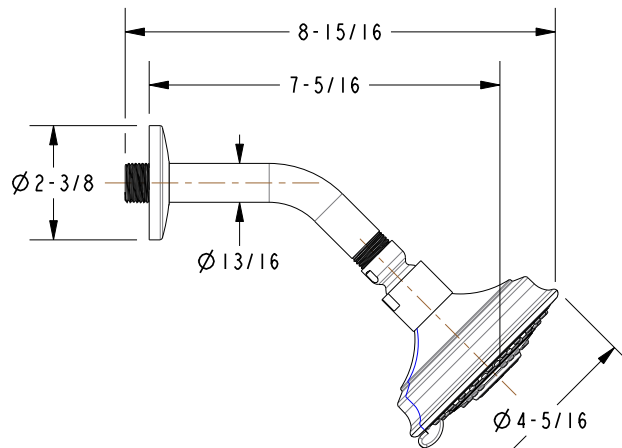
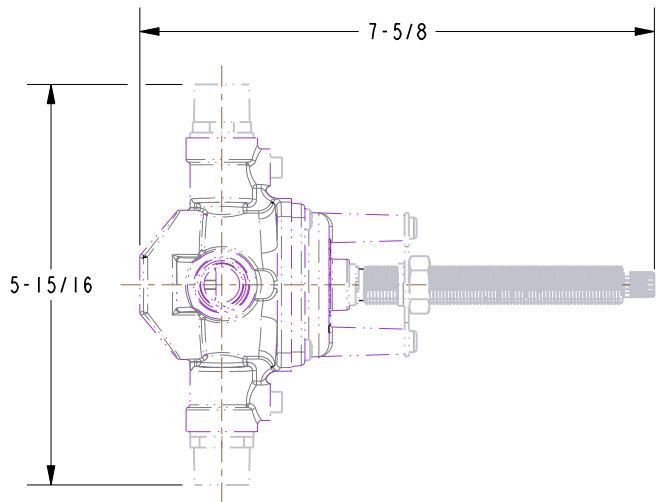
COPYRIGHT 2005 BRASSTECH, INC. THESE DRAWINGS AND THE DESIGNS DEPICTED HEREIN ARE THE PROPRIETARY PROPERTY OF BRASSTECH. ANY USE OR REPRODUCTION IS SUBJECT TO THE EXPRESS APPROVAL OF BRASSTECH. UNAUTHORIZED USE IS STRICTLY PROHIBITED. ALL RIGHTS RESERVED.

BRASSTECH		2001 CARNEGIE AVE. SANTA ANA, CA 92705 (949) 417-5207	
DWG NO.	3-1662BP		REV B
SCALE .300	REF. -	SHEET 2 OF 3	

SPECIFICATION DWG

NOTES:

- 1. CUT ALL-THREAD 1/2" SHORTER THAN STEM.



1" DIVERTER EXTENTION A
 3/4-14 NPT
 3/4-14 TO 1/2-14 ADAPTER INCLUDED

DIMENSIONS ARE IN INCHES AND AN APPROXIMATION OF A TYPICAL INSTALLATION

COPYRIGHT 2005 BRASSTECH, INC. THESE DRAWINGS AND THE DESIGNS DEPICTED HEREIN ARE THE PROPRIETARY PROPERTY OF BRASSTECH. ANY USE OR REPRODUCTION IS SUBJECT TO THE EXPRESS APPROVAL OF BRASSTECH. UNAUTHORIZED USE IS STRICTLY PROHIBITED. ALL RIGHTS RESERVED.

BRASSTECH		2001 CARNEGIE AVE. SANTA ANA, CA 92705 (949) 417-5207
DWG NO.	3-1662BP	REV B
SCALE .350	REF. -	SHEET 3 OF 3