

4

3

2

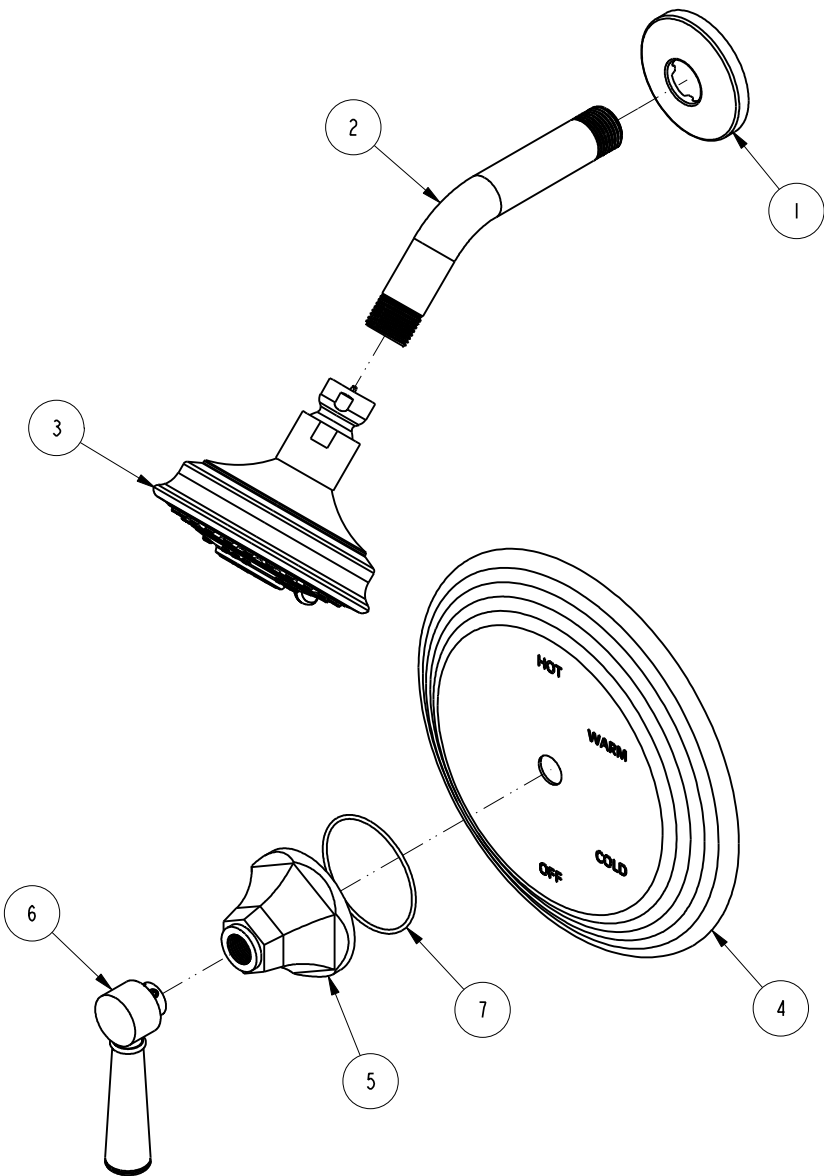
1

BILL OF MATERIAL (CURRENT LEVEL)

| ITEM | PT/ASSY | DESCRIPTION | TYPE | QTY. |
|------|---------|----------------------------------|----------|------|
| 1 | 206 | SHOWER ARM FLANGE | PART | 1 |
| 2 | 200 | SHOWER ARM 6" BRASS | PART | 1 |
| 3 | 2156 | SHOWER HEAD, TRAD | ASSEMBLY | 1 |
| 4 | 2-225 | BP COVER PLATE FOR SHOWER | ASSEMBLY | 1 |
| 5 | 10960 | HEX ESCUTCHEON | PART | 1 |
| 6 | 2-279 | TAPERED LEVER HNDL ASM | ASSEMBLY | 1 |
| 7 | 91386 | O-RING, #2-034, EPDM, 65-75 DURO | PART | 1 |

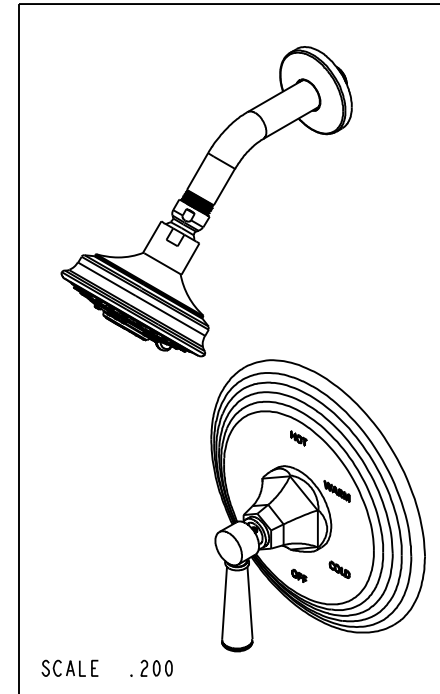
D

D



C

C



B

B

A

A

COPYRIGHT 2005 BRASSTECH, INC. THESE DRAWINGS AND THE DESIGNS DEPICTED HEREIN ARE THE PROPRIETARY PROPERTY OF BRASSTECH. ANY USE OR REPRODUCTION IS SUBJECT TO THE EXPRESS APPROVAL OF BRASSTECH. UNAUTHORIZED USE IS STRICTLY PROHIBITED. ALL RIGHTS RESERVED.

BRASSTECH
INCORPORATED

2001 E. CARNEGIE AVE.
SANTA ANA, CA 92705
(949) 417-5207

TRIM KIT - BP SHOWER SET

ASSY. NO. 3-1204BP

SCALE .300

REF. -

SHEET 1 OF 3

| | | |
|-----|----------|----------|
| E | EN-2802 | 09/09/14 |
| D | EN-2266 | 04/08/13 |
| C | EN-1745 | 08/22/11 |
| B | EN-1183 | 03/23/09 |
| REV | REV DESC | DATE |

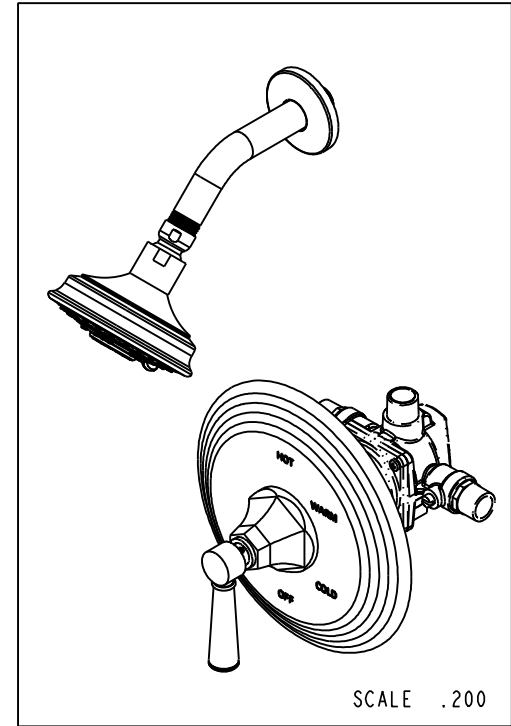
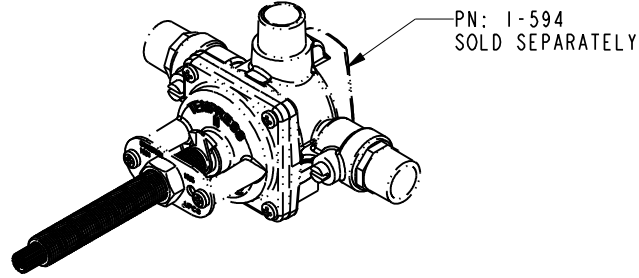
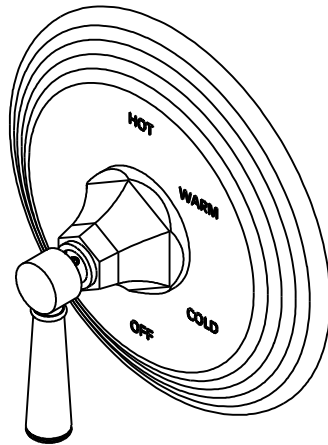
4

3

2

1

SPECIFICATION DWG



DIMENSIONS ARE IN INCHES AND AN APPROXIMATION OF A TYPICAL INSTALLATION

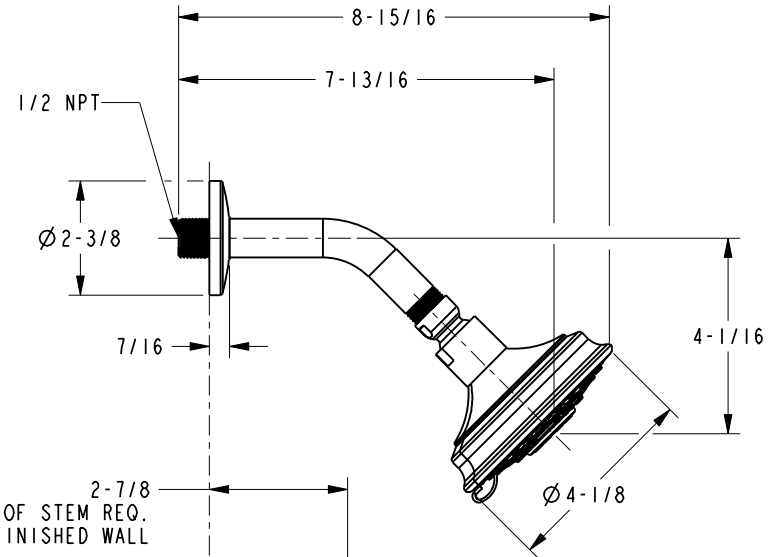
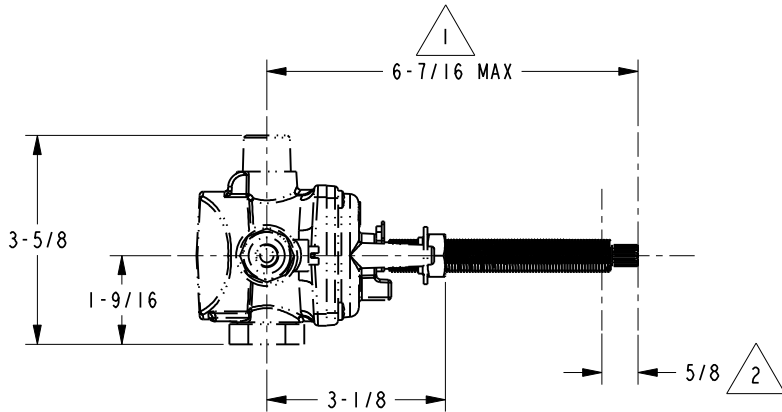
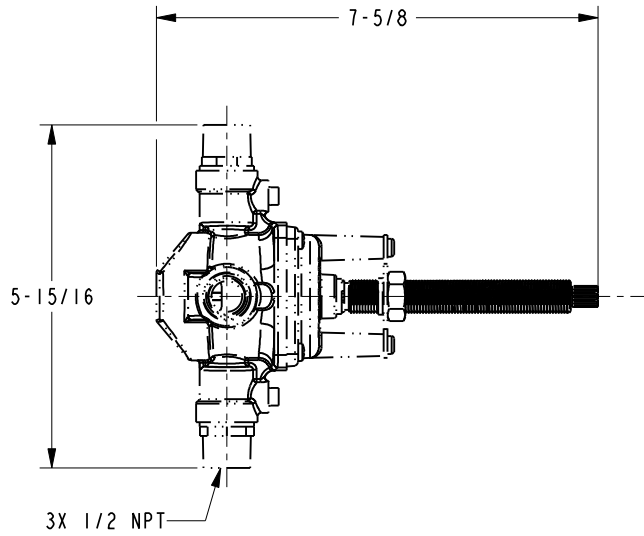
COPYRIGHT 2005 BRASSTECH, INC. THESE DRAWINGS AND THE DESIGNS DEPICTED HEREIN ARE THE PROPRIETARY PROPERTY OF BRASSTECH. ANY USE OR REPRODUCTION IS SUBJECT TO THE EXPRESS APPROVAL OF BRASSTECH. UNAUTHORIZED USE IS STRICTLY PROHIBITED. ALL RIGHTS RESERVED.

| | | | |
|------------------|----------|---------------------|----------|
| BRASSTECH | | 2001 CARNEGIE AVE. | |
| INCORPORATED | | SANTA ANA, CA 92705 | |
| | | (949) 417-5207 | |
| DWG NO. | 3-1204BP | | REV E |
| SCALE .300 | REF. - | SHEET 2 OF 3 | |

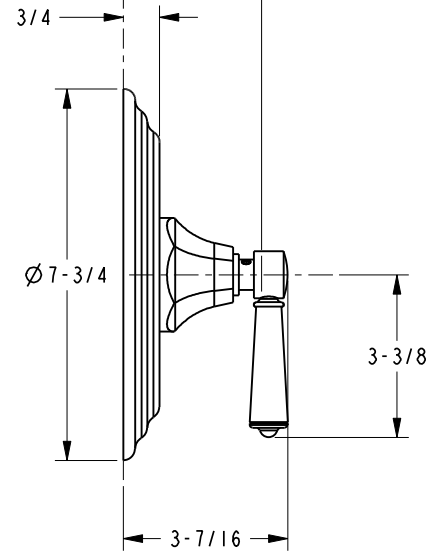
SPECIFICATION DWG

NOTES:

- 1 CUT STEM TO DIMENSION SHOWN.
- 2 CUT ALL-THREAD 5/8" SHORTER THAN STEM.



2-7/8
AMOUNT OF STEM REQ.
FROM FINISHED WALL



DIMENSIONS ARE IN INCHES AND AN APPROXIMATION OF A TYPICAL INSTALLATION

COPYRIGHT 2005 BRASSTECH, INC. THESE DRAWINGS AND THE DESIGNS DEPICTED HEREIN ARE THE PROPRIETARY PROPERTY OF BRASSTECH. ANY USE OR REPRODUCTION IS SUBJECT TO THE EXPRESS APPROVAL OF BRASSTECH. UNAUTHORIZED USE IS STRICTLY PROHIBITED. ALL RIGHTS RESERVED.

| | | | |
|------------------|----------|---|----------|
| BRASSTECH | | 2001 CARNEGIE AVE. SANTA ANA, CA 92705 (949) 417-5207 | |
| DWG NO. | 3-1204BP | | REV E |
| SCALE .250 | REF. - | SHEET 3 OF 3 | |