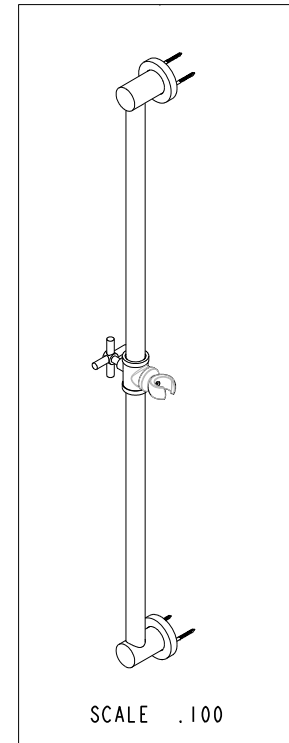


**BILL OF MATERIAL (CURRENT LEVEL)**

ITEM	PT/ASSY	DESCRIPTION	TYPE	QTY.
1	11378	ESCUTCHEON	PART	2
2	80186	BRACKET	PART	2
3	11379	POST	PART	2
4	92255	1/4-20 X 1/2" CONE POINT SET SCREW	PART	2
5	92051	SCREW #8 X 1-3/4	PART	6
6	91165	WALL ANCHOR PLASTIC	PART	6
7	80190	SLIDE BAR TUBE	PART	1
8	3-376	SLIDE BAR HOLDER ASM - CONTEMP	ASSEMBLY	1
9	91249	O-RING 2-028	PART	2
10	92259	8-32 x 3/8" STAINLESS STEEL SET SCREW	PART	6



SCALE .100

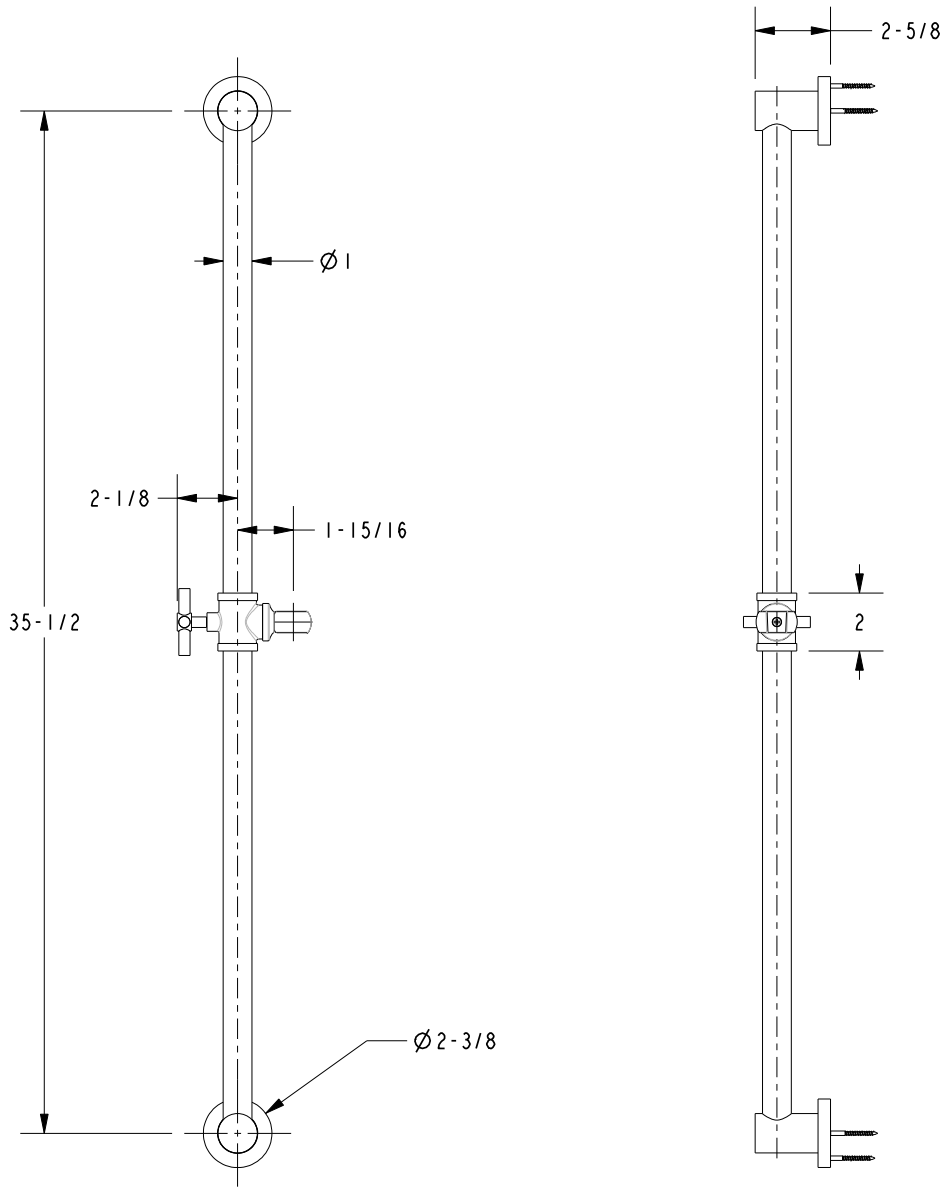
COPYRIGHT 2005 BRASSTECH, INC. THESE DRAWINGS AND THE DESIGNS DEPICTED HEREIN ARE THE PROPRIETARY PROPERTY OF BRASSTECH. ANY USE OR REPRODUCTION IS SUBJECT TO THE EXPRESS APPROVAL OF BRASSTECH. UNAUTHORIZED USE IS STRICTLY PROHIBITED. ALL RIGHTS RESERVED.

**BRASSTECH**  
INCORPORATED  
2001 E. CARNEGIE AVE.  
SANTA ANA, CA 92705  
(949) 417-5207

HAND SHOWER SLIDE BAR

ASSY. NO.	295	A	EN-1426	04/15/10
SCALE .125	REF. -	REV	EN-0940	02/11/08
SHEET 1 OF 2		REV	REV DESC	DATE

SPECIFICATION DWG



DIMENSIONS ARE IN INCHES AND AN APPROXIMATION OF A TYPICAL INSTALLATION

COPYRIGHT 2005 BRASSTECH, INC. THESE DRAWINGS AND THE DESIGNS DEPICTED HEREIN ARE THE PROPRIETARY PROPERTY OF BRASSTECH. ANY USE OR REPRODUCTION IS SUBJECT TO THE EXPRESS APPROVAL OF BRASSTECH. UNAUTHORIZED USE IS STRICTLY PROHIBITED. ALL RIGHTS RESERVED.

<b>BRASSTECH</b>		2001 E. CARNEGIE AVE.	
INCORPORATED		SANTA ANA, CA 92705	
		(949) 417-5207	
DWG NO.	295	REV	A
SCALE	.150	REF.	-
		SHEET	2 OF 2