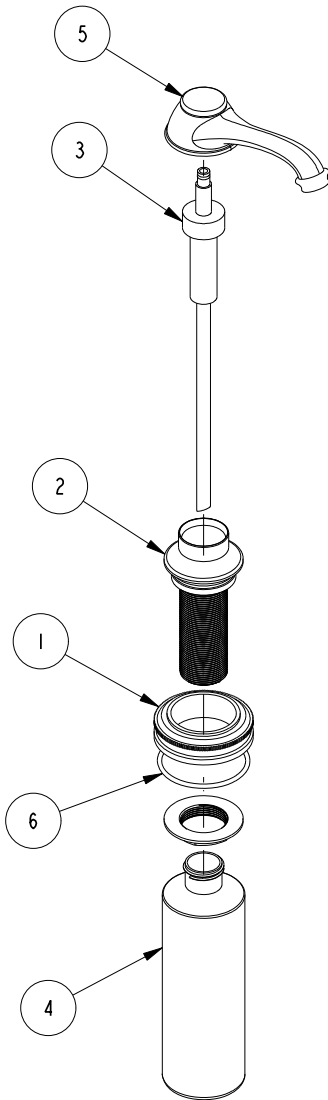


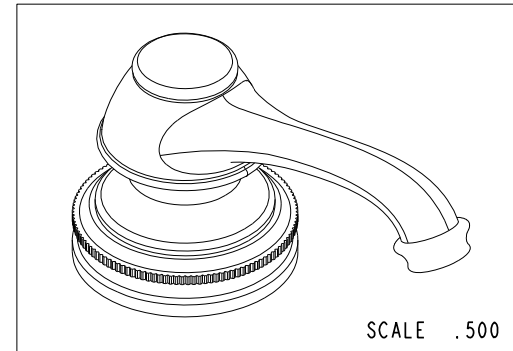
NOTES:

(NI) 1. FIT / FORM / FUNCTION SHALL FOLLOW PS-E.008.



BILL OF MATERIAL (CURRENT LEVEL)

ITEM	PT/ASSY	DESCRIPTION	TYPE	QTY.
1	12447	BASE RING	PART	1
2	20-205	BODY ASM	ASSEMBLY	1
3	125-8	SOAP DISPENSER PUMP ASM	ASSEMBLY	1
4	125-9	SOAP DISPENSER BOTTLE	PART	1
5	2-797	SOAP PUMP HEAD ASSEMBLY	ASSEMBLY	1
6	91231	O-RING, #2-136, EPDM, 65-75 DURO	PART	1



TESTING	-	-	-
ASSEMBLY	-	-	-
PLATING	-	-	-
POLISHING	-	NEXT ASSY	USED ON
MACHINING	-	APPLICATION	
TOOLING FIXTURE #	REMOVE ALL BURRS AND SHARP EDGES		

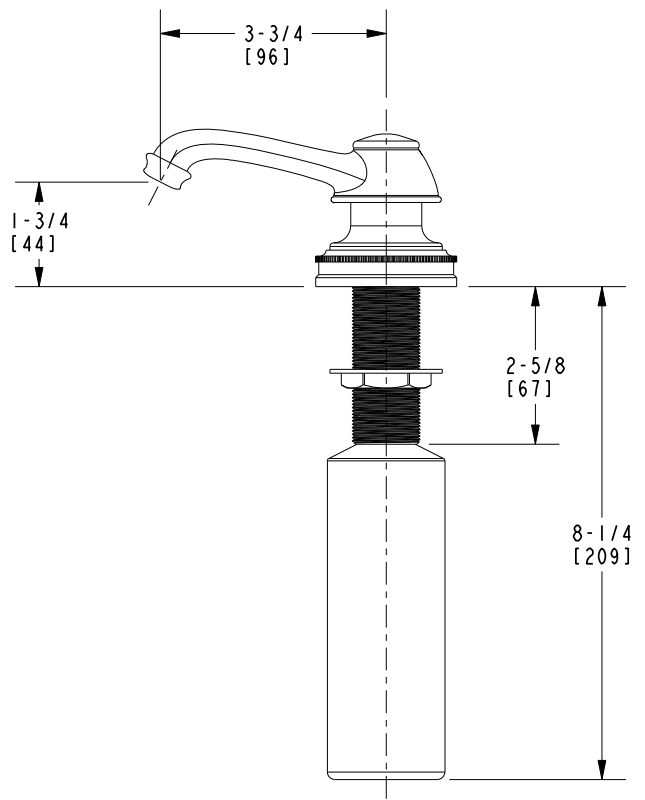
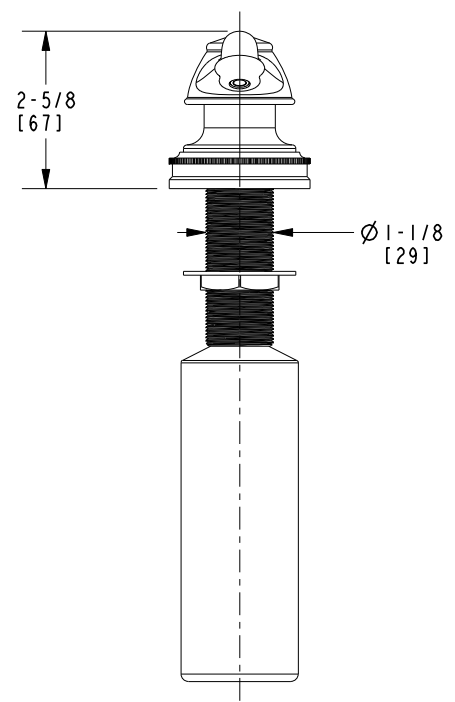
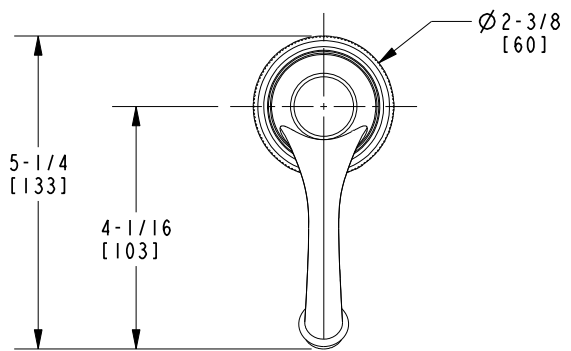
UNITS ARE: INCHES [MM]
 TOLERANCES ARE:
 FRACTIONS DECIMALS ANGLES
 $\pm 1/16"$.X $\pm .1$ [2,5] $\pm 1^\circ$
 .XX $\pm .06$ [1,5]
 (X.XXX) DENOTES CRITICAL DIMS.
 ALL THREADS ARE CRITICAL

BRASSTECH 2001 CARNEGIE AVE.
 INCORPORATED SANTA ANA, CA 92705
 (949) 417-5207

SOAP DISPENSER, TAFT

EN-2980j	10/12/16	V.V.		
ZONE	REV	DESCRIPTION	DATE	APPROVED

DWG NO.	2940-5721	REV	-
APPROVED	V. VU	10/12/16	
SCALE	.220	REF.	-
SHEET	1	OF	2



BRASSTECH		2001 E. CARNEGIE AVE.	
INCORPORATED		SANTA ANA, CA 92705	
		(949) 417-5207	
DWG NO.	2940-5721	REV	-
SCALE	.375	REF.	-
		SHEET	2 OF 2