

4

3

2

1

NOTES:

- (N1) 1. FIT / FORM / FUNCTION SHALL FOLLOW PS-E.008.
- 2. PACK THESE ITEMS IN A PLASTIC BAG.
- 3. HANDLE IN CLOSE POSITION.
- 4. INSTALLATION TORQUE 11-14 LB-FT.
- 5. INSTALLATION TORQUE 4-6 LB-FT.
- 6. APPLY LOCTITE 680.
- 7. APPLY LOCTITE 242
- 8. APPLY LOCTITE 242 ONLY AFTER ADJUSTING HANDLES IN THEIR OPTIMAL POSITION.

BILL OF MATERIAL (CURRENT LEVEL)

ITEM	PT/ASSY	DESCRIPTION	TYPE	QTY.
1	11330	VALVE BODY, WALL-END	PART	1
2	11309	FLANGE, MOUNTING	PART	1
3	92231	SCRW, 1/4-20 X 1/4 SKT HD CUP PT SS	PART	1
4	92223	SCRW, #8 X 2-1/2 PHL FLT HD SS	PART	4
5	2-556	FLANGE ASM, CONTEMP	ASSEMBLY	1
6	2-553	LOWER ARM ASM, CONTEMP	ASSEMBLY	1
7	2-552	UPPER ARM ASM, CONTEMP	ASSEMBLY	1
8	91325	WSHR, .23 ID X .625 OD X .093 THK, FLT, NEOPRENE	PART	1
9	1-326	W/S CARTRIDGE FRICTION - HOT	PART	1
10	1-134	CARTR 3/8 HOT 1/4 TR	PART	1
11	11834	ADAPTER	PART	2
12	92477	SCRW, M4 X 16 SKT FLT HD SS	PART	2
13	12515	HANDLE HUB	PART	2
14	12514	LEVER HANDLE	PART	2
15	92192	SCRW, 10-32 X 5/8 SKT HD CUP PT SS	PART	2

D

D

C

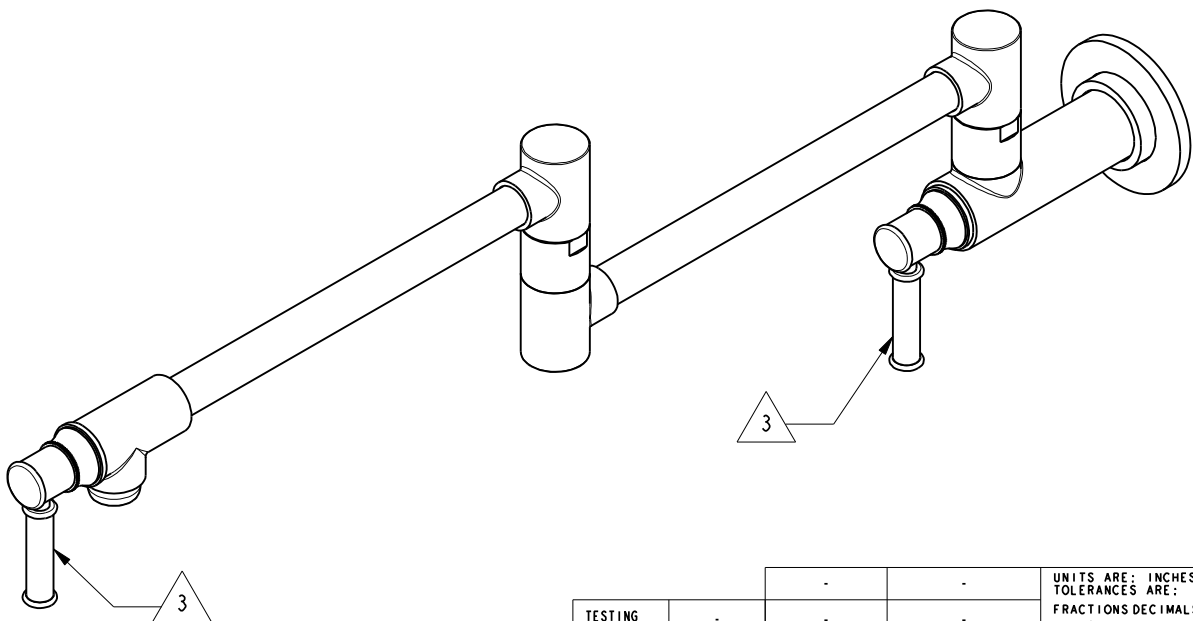
C

B

B

A

A



ZONE	REV	DESCRIPTION	DATE	APPROVED
-	B	EN-3495	03/26/18	J.A.
-	A	EN-3293	3/31/17	J.A.
-	-	EN-2980	09/27/16	V.V.

COPYRIGHT 2005 BRASSTECH, INC. THESE DRAWINGS AND THE DESIGNS DEPICTED HEREIN ARE THE PROPRIETARY PROPERTY OF BRASSTECH. ANY USE OR REPRODUCTION IS SUBJECT TO THE EXPRESS APPROVAL OF BRASSTECH. UNAUTHORIZED USE IS STRICTLY PROHIBITED. ALL RIGHTS RESERVED.

TESTING	ASSEMBLY	PLATING	POLISHING	MACHINING	TOOLING	FIXTURE #	APPLICATION
-	-	-	-	-	-	-	REMOVE ALL BURRS AND SHARP EDGES

UNITS ARE: INCHES [MM]	
TOLERANCES ARE:	
FRACTIONS DECIMALS	ANGLES
±1/16"	±1°
.X ±.1 [2.5]	
.XX ±.06 [1.5]	
(X.XXX) DENOTES CRITICAL DIMS. ALL THREADS ARE CRITICAL	
DRAWN	JINSON 03/26/18
CHECKED	J.A. 03/26/18
APPROVED	J.A. 03/26/18

**BRASSTECH** 2001 CARNEGIE AVE. SANTA ANA, CA 92705 (949) 417-5207  
INCORPORATED

POT FILLER - WALL MOUNT

DWG NO. 2940-5503 REV B

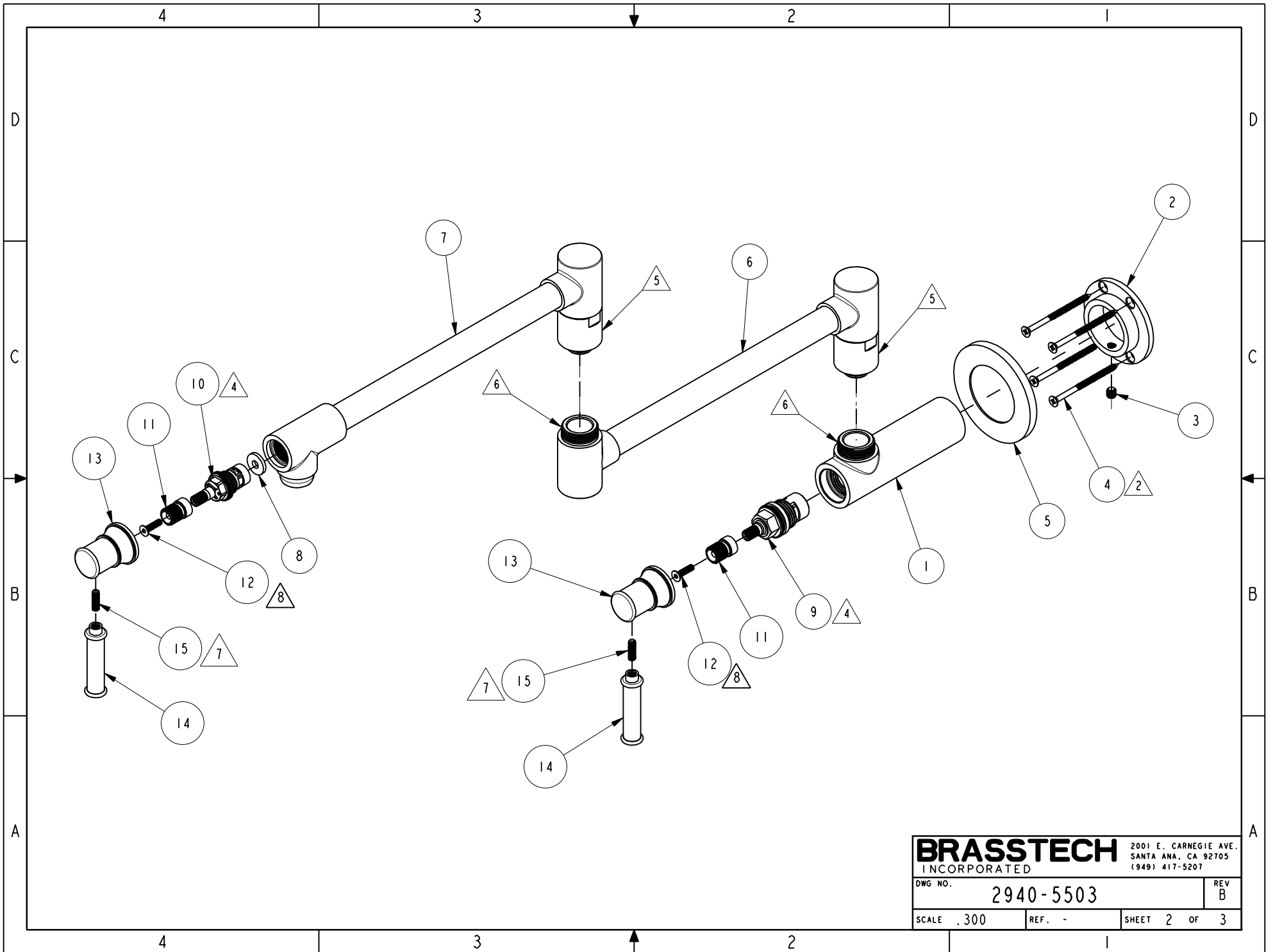
SCALE .300 REF. - SHEET 1 OF 3

4

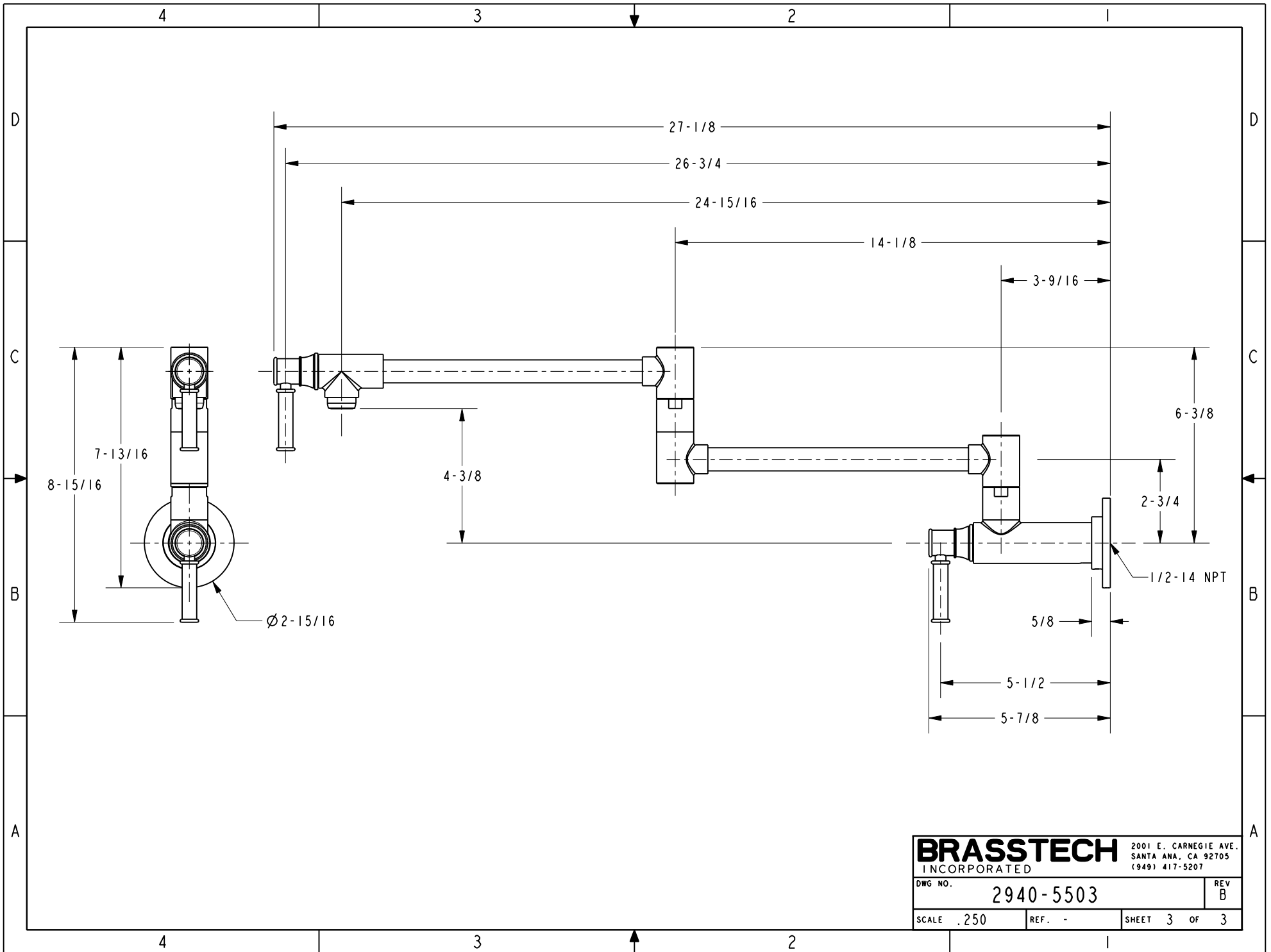
3

2

1



<b>BRASSTECH</b> INCORPORATED		2001 E. CARNEGIE AVE. SANTA ANA, CA 92705 (949) 417-5207
DWG NO.	2940-5503	REV B
SCALE .300	REF. -	SHEET 2 OF 3



<b>BRASSTECH</b>		2001 E. CARNEGIE AVE.	
INCORPORATED		SANTA ANA, CA 92705	
DWG NO. 2940-5503		REV B	
SCALE .250	REF. -	SHEET 3	OF 3