
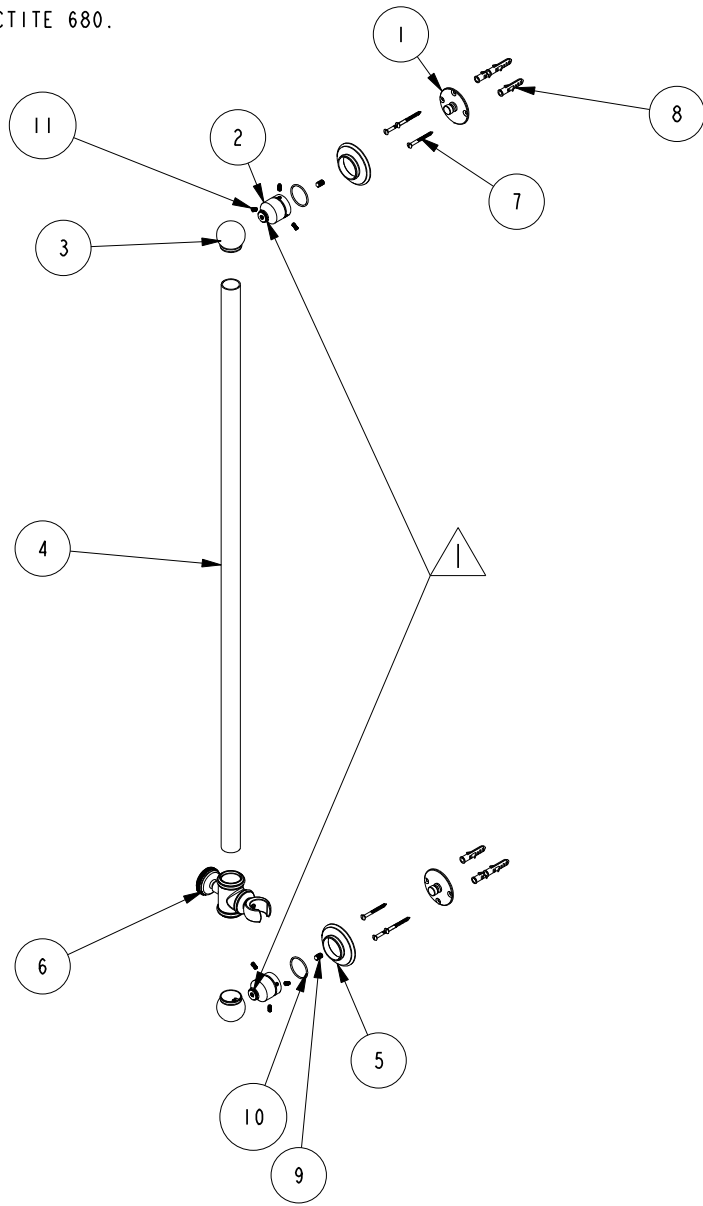
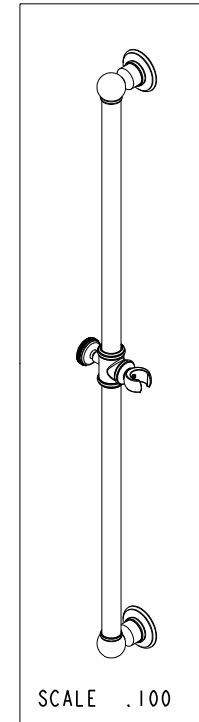


NOTE:
 USE LOCTITE 680.



BILL OF MATERIAL (CURRENT LEVEL)

ITEM	PT/ASSY	DESCRIPTION	TYPE	QTY.
1	80186	BRACKET	PART	2
2	80189	BONNET	PART	2
3	80188	BALL	PART	2
4	80190	SLIDE BAR TUBE	PART	1
5	80187	ESCUTCHEON	PART	2
6	8-218	KNURLED SLIDE BAR HOLDER ASM	ASSEMBLY	1
7	92051	SCRW, #8 X 1-3/4 SLT OVL HD BRASS	PART	6
8	91165	WALL ANCHOR PLASTIC	PART	6
9	92255	SCRW, 1/4-20 X 1/2 SKT HD CONE PT SS	PART	2
10	91144	O-RING, #2-024, EPDM, 65-75 DURO	PART	2
11	92259	SCRW, 8-32 X 3/8 SKT HD CUP PT SS	PART	6



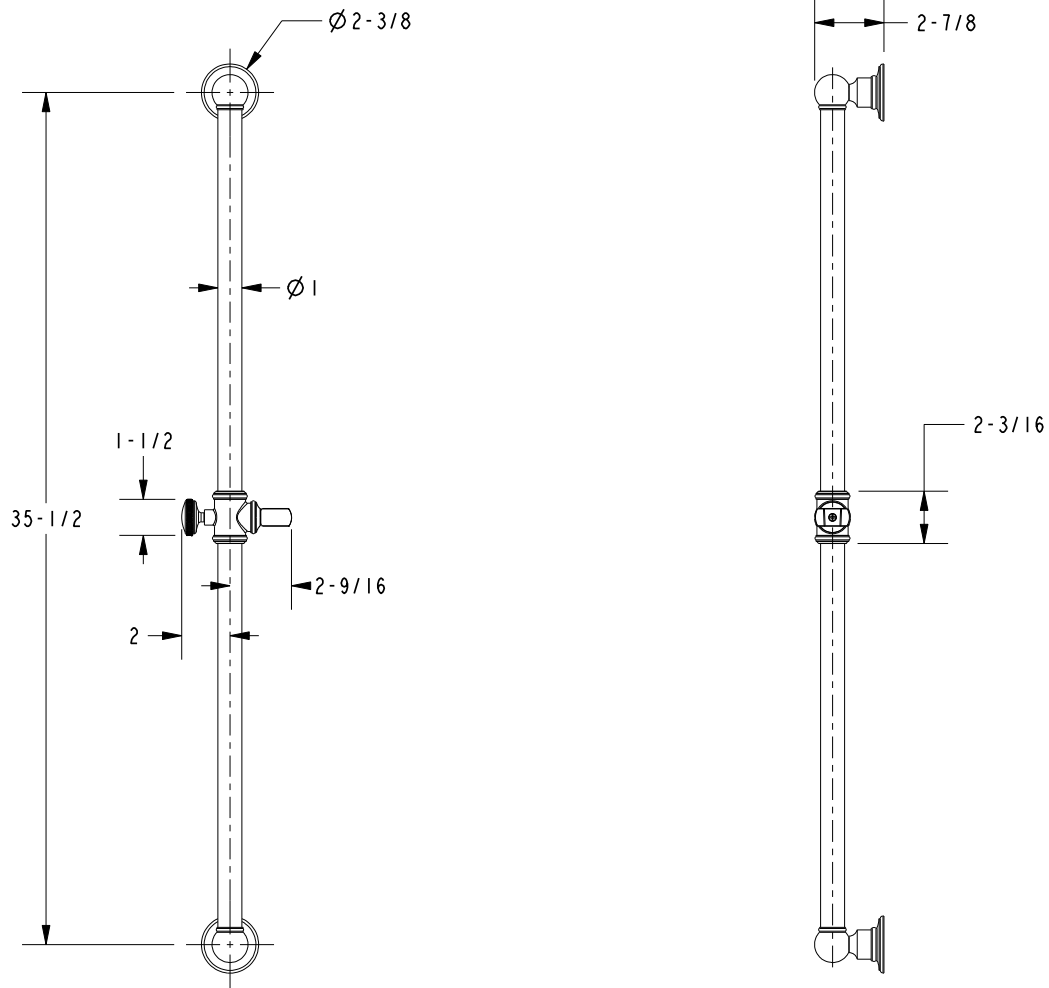
COPYRIGHT 2005 BRASSTECH, INC. THESE DRAWINGS AND THE DESIGNS DEPICTED HEREIN ARE THE PROPRIETARY PROPERTY OF BRASSTECH. ANY USE OR REPRODUCTION IS SUBJECT TO THE EXPRESS APPROVAL OF BRASSTECH. UNAUTHORIZED USE IS STRICTLY PROHIBITED. ALL RIGHTS RESERVED.

BRASSTECH
 INCORPORATED
 2001 E. CARNEGIE AVE.
 SANTA ANA, CA 92705
 (949) 417-5207

HANDSHOWER SLIDE BAR W/ HOLDER ASM

ASSY. NO.	294-1	A	EN-2690	01/16/14
SCALE .100	REF. -	REV	EN-1735	05/17/11
SHEET 1 OF 2	REV	REV DESC	DATE	

SPECIFICATION DWG



DIMENSIONS ARE IN INCHES AND AN APPROXIMATION OF A TYPICAL INSTALLATION

COPYRIGHT 2005 BRASSTECH, INC. THESE DRAWINGS AND THE DESIGNS DEPICTED HEREIN ARE THE PROPRIETARY PROPERTY OF BRASSTECH. ANY USE OR REPRODUCTION IS SUBJECT TO THE EXPRESS APPROVAL OF BRASSTECH. UNAUTHORIZED USE IS STRICTLY PROHIBITED. ALL RIGHTS RESERVED.

BRASSTECH		2001 CARNEGIE AVE.
INCORPORATED		SANTA ANA, CA 92705
		(949) 417-5207
DWG NO.	294-1	REV A
SCALE .125	REF. -	SHEET 2 OF 2