

CRYSTORAMA



95 Cantiague Rock Road, Westbury NY 11590
 ph: 516.931.9090 fax: 516.931.1254
info@crystorama.com www.crystorama.com


MODEL# : 293-PN
ASSEMBLY AND DRESSING INSTRUCTIONS

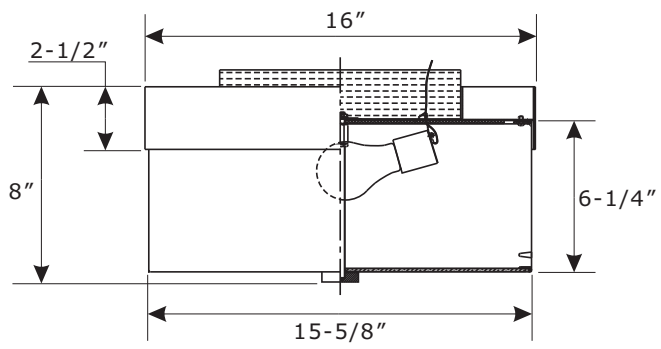
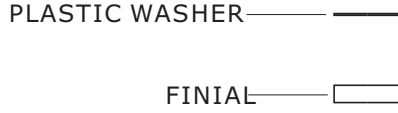
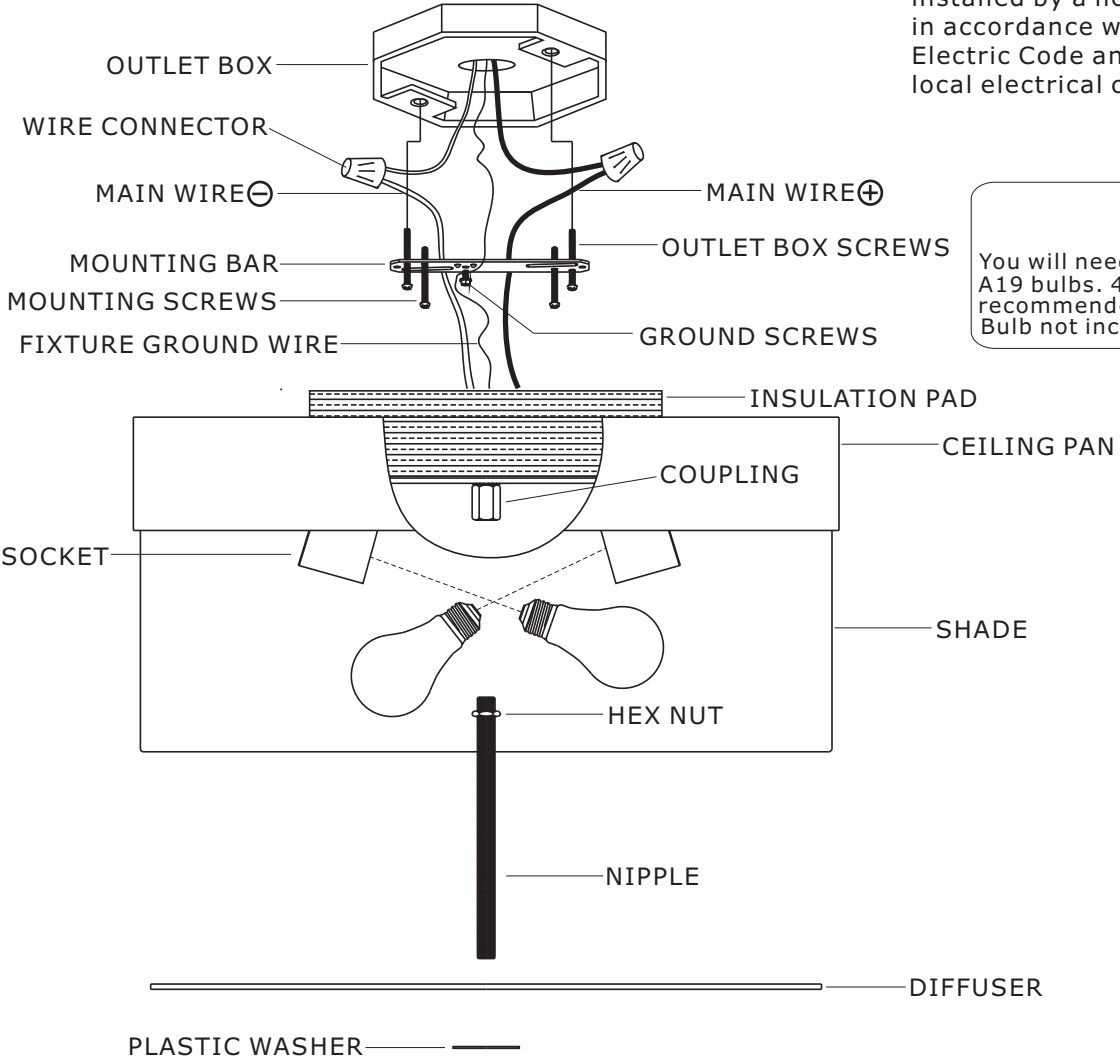
WARNING:

Electrical Danger Turn Power off

All electrical components must be installed by a licensed electrician in accordance with the National Electric Code and the appropriate local electrical codes.



 You will need 3 **Frosted** Medium A19 bulbs. 40 Watts recommended 60 Watts max. Bulb not included.



HOW TO REPLACE BULB:
 REMOVE BOTTOM FINIAL AND DIFFUSER TO REPLACE PREVIOUS BULB W / NEW BULB.