
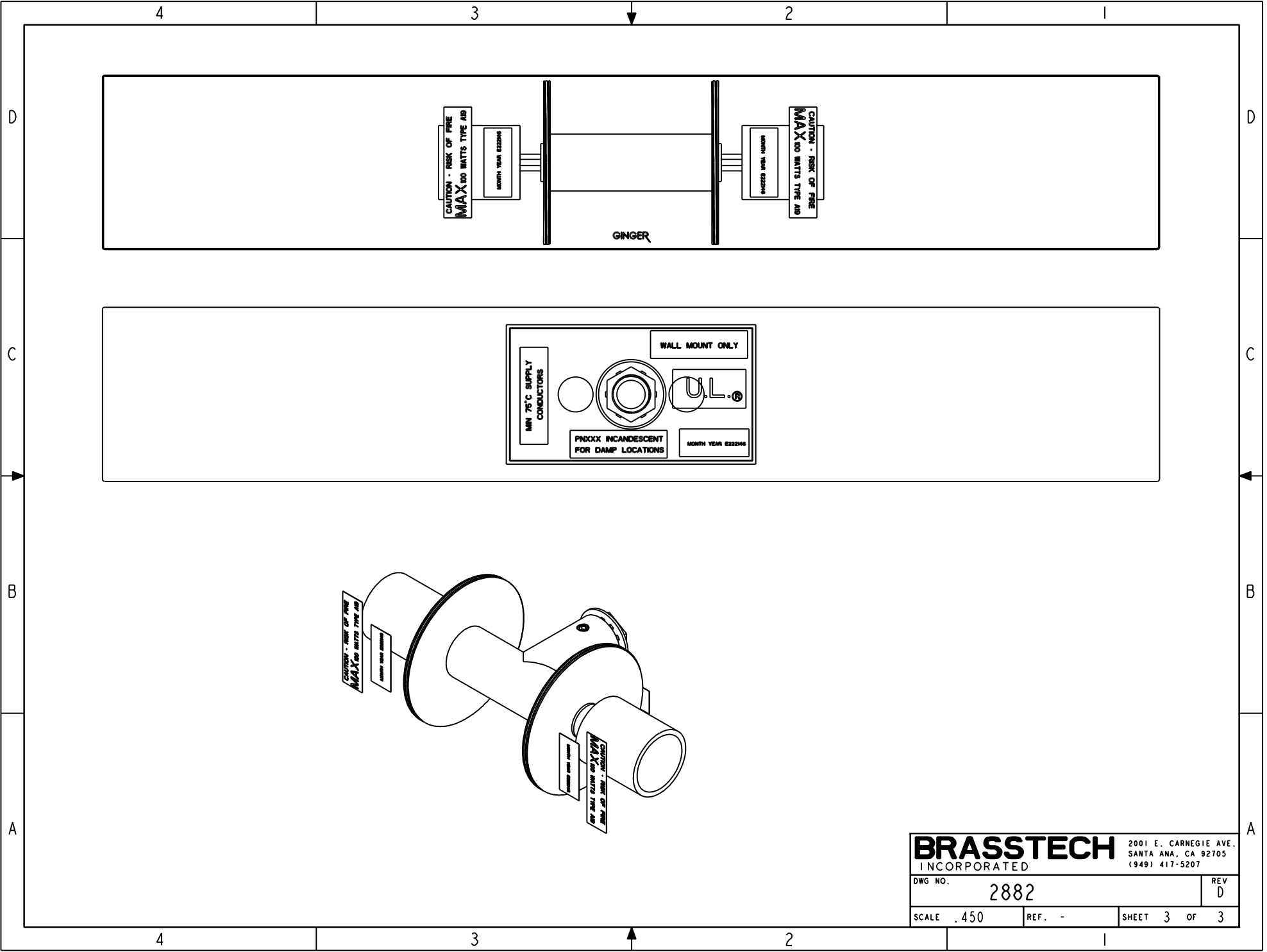


ADA compliant 

BRASSTECH		2001 E. CARNEGIE AVE.	
INCORPORATED		SANTA ANA, CA 92705	
		(949) 417-5207	
DWG NO.	2882	REV	D
SCALE .313	REF. -	SHEET 2	OF 3



BRASSTECH		2001 E. CARNEGIE AVE.	
INCORPORATED		SANTA ANA, CA 92705	
		(949) 417-5207	
DWG NO.	2882	REV	D
SCALE .450	REF. -	SHEET 3 OF 3	