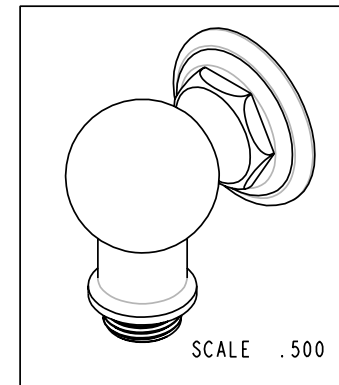
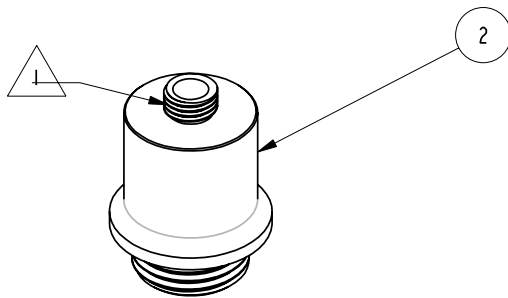
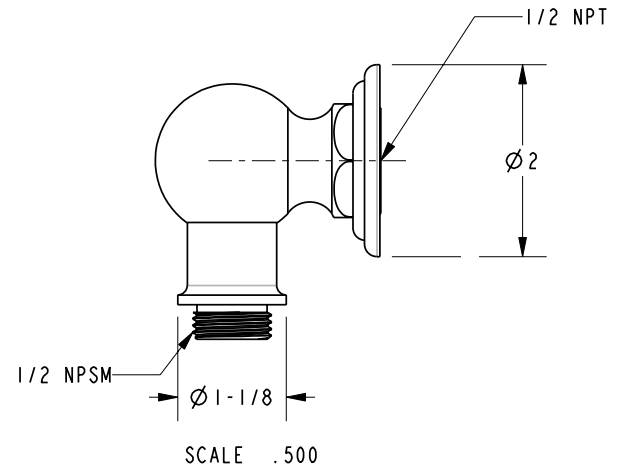
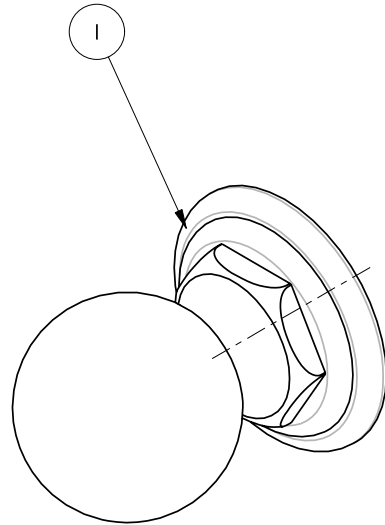


BILL OF MATERIAL (CURRENT LEVEL)

ITEM	PT/ASSY	DESCRIPTION	TYPE	QTY.
1	11381	SUPPLY ELBOW BODY	PART	1
2	80182	CONNECTOR	PART	1

NOTES:

1. APPLY ADHESIVE LOCTITE 680 OR EQUIVALENT.



COPYRIGHT 2005 GINGER. THESE DRAWINGS AND THE DESIGNS DEPICTED HEREIN ARE THE PROPRIETARY PROPERTY OF GINGER. ANY USE OR REPRODUCTION IS SUBJECT TO THE EXPRESS APPROVAL OF GINGER. UNAUTHORIZED USE IS STRICTLY PROHIBITED. ALL RIGHTS RESERVED.

GINGER

460-N GREENWAY INDUSTRIAL DRIVE
FORT WILL, SC 29708
(803) 547-5786

SUPPLY ELBOW ASM - TRAD

ASSY. NO.

285-1

SCALE .750

REF. -

SHEET 1 OF 1

REV

ECN-0940

02/11/08

REV DESC

DATE