

AXOR ShowerSolutions

Axor ShowerCollection Shower Module Trim

Surfaces: **Chrome** Article Number: **28491001**



Description

product features

- field of application: functions as overhead, shoulder or side shower
- spray angle adjustable in five steps
- maximum flow rate at 0.3 MPa: 9.5 l/min
- fully chrome-plated spray disc
- in a joined installation (10 mm distance) the use of basic set no.28486180 is recommended
- in a freely arranged installation, connection via a G ½ inner thread is possible
- suitable for continuous flow water heaters
- material: metal

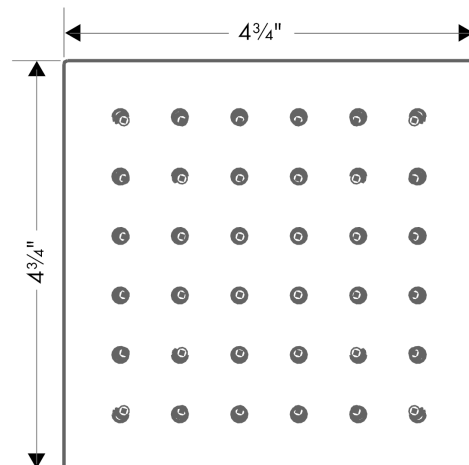
Technology



Product image



Scale drawing

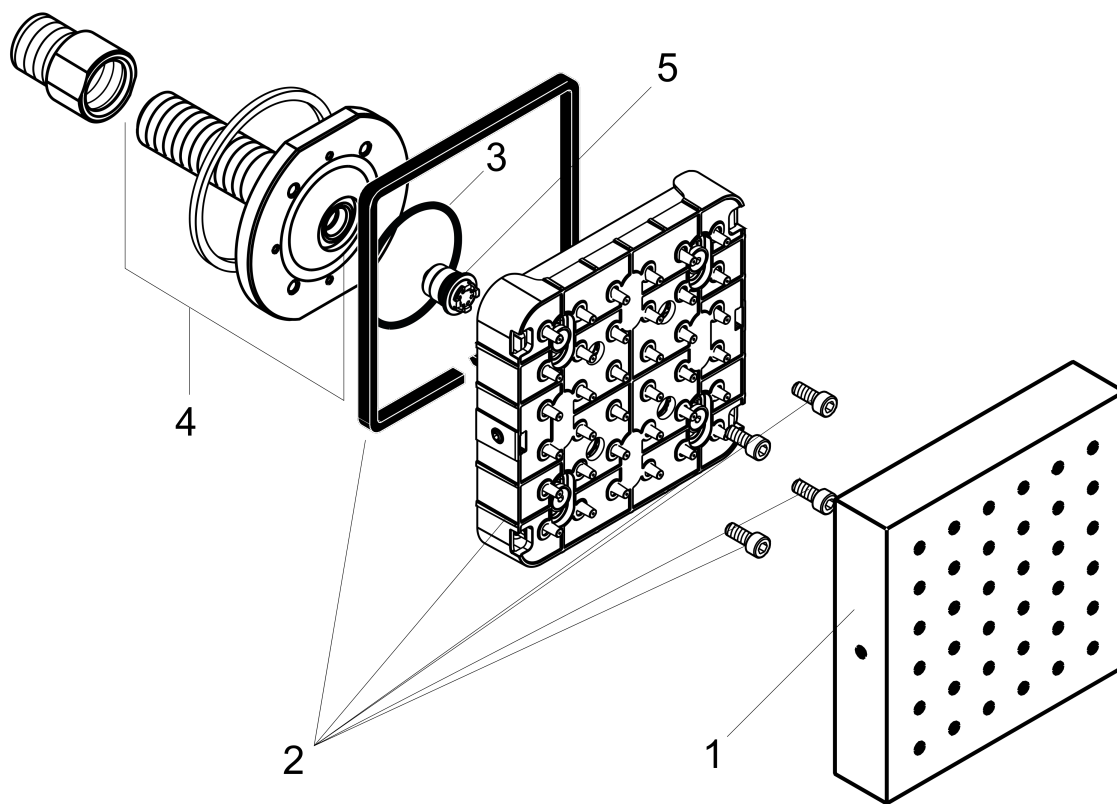


AXOR ShowerSolutions
Axor ShowerCollection Shower Module Trim
Surfaces: **Chrome** Article Number: **28491001**



Exploded Drawing

Year of production: >04/09



AXOR ShowerSolutions
Axor ShowerCollection Shower Module Trim
 Surfaces: **Chrome** Article Number: **28491001**



Spare part list

Year of production: >04/09

Pos.	Description	Article Number	PC	PU
1	frontcover	95362000	0	1
2	spray body	95361000	0	1
3	O-ring 41x2	98212000	0	1
4	connecting thread	95364000	0	1
5	flow limiter / non return valve	95363000	0	1
a	extension 25 mm	95413000	0	1