

AXOR Bodyspray with Square Escutcheon

Finishes : chrome Part no. : 28469001



Description

Features

- Flow: 2.5 GPM (9.5 L/Min)
- 1/2" NPT

Item details

Technology



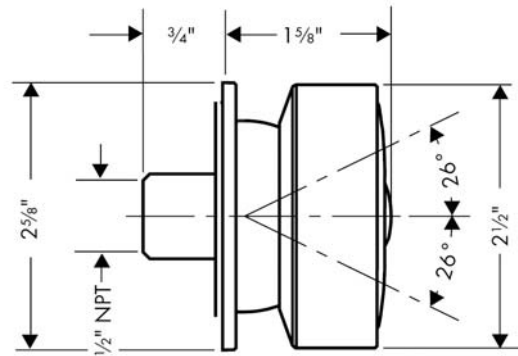
Compliance



Product image



Scale drawing

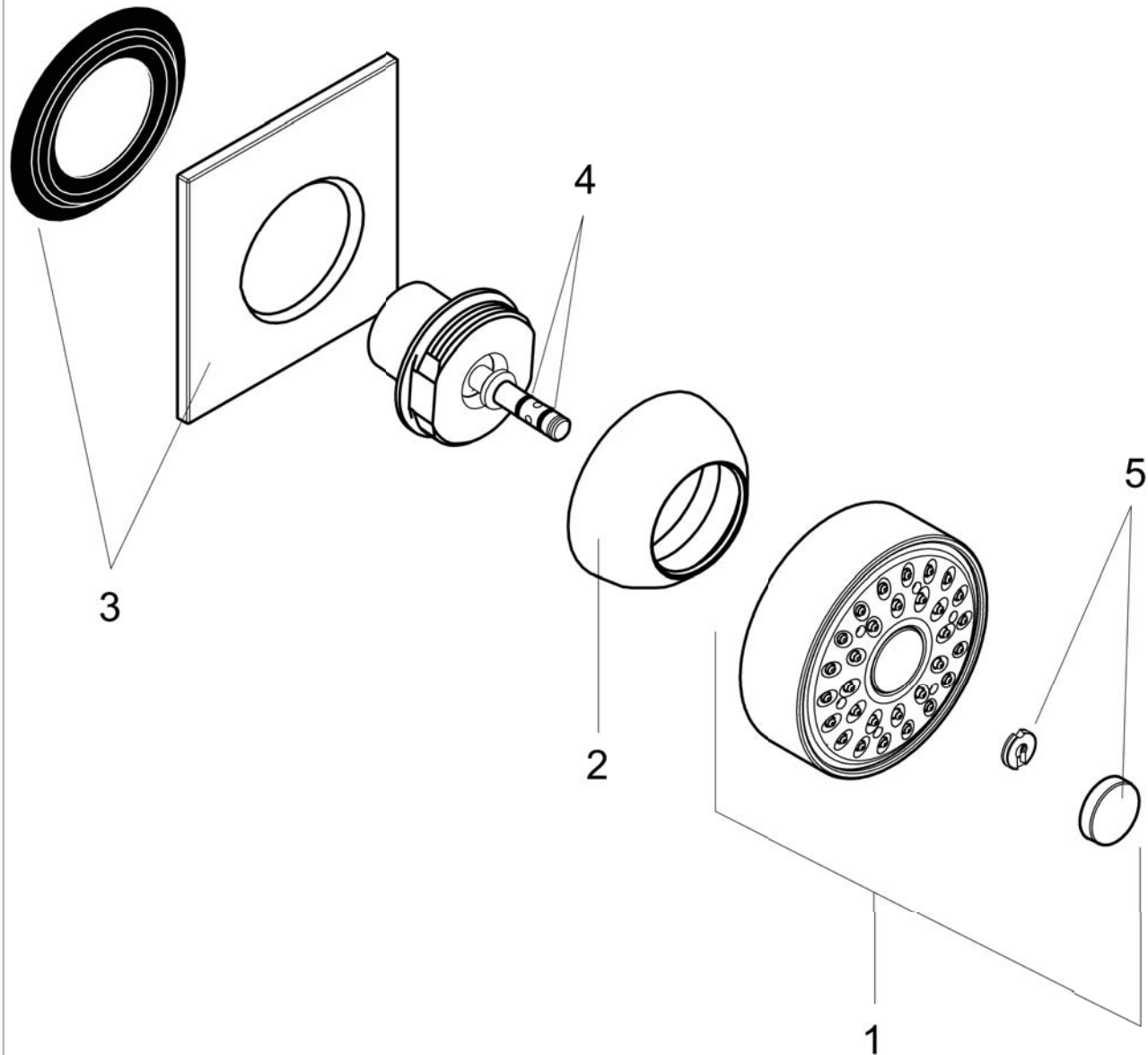


AXOR Bodyspray with Square Escutcheon
Finishes : **chrome** Part no. : **28469001**



Exploded drawing

Year of production: >04/07



AXOR Bodyspray with Square Escutcheon

Finishes : **chrome** Part no. : **28469001**



Spare parts list

Year of production: >04/07

Pos.	Description	Part no.	Price	PU
1	cover	98943000	-	1
2	spray head cpl.	98859000	-	1
3	escutcheon	98858000	-	1
4	O-ring 3x1,5	98104000	-	1