

4

3

2

1

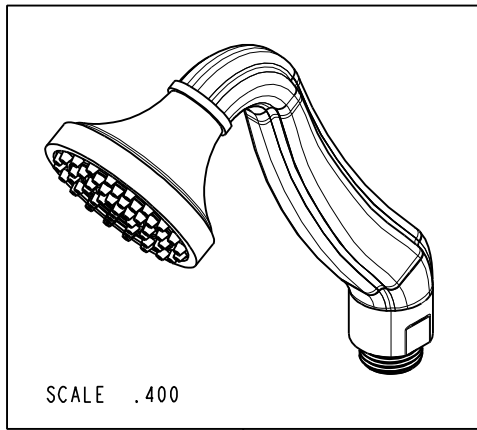
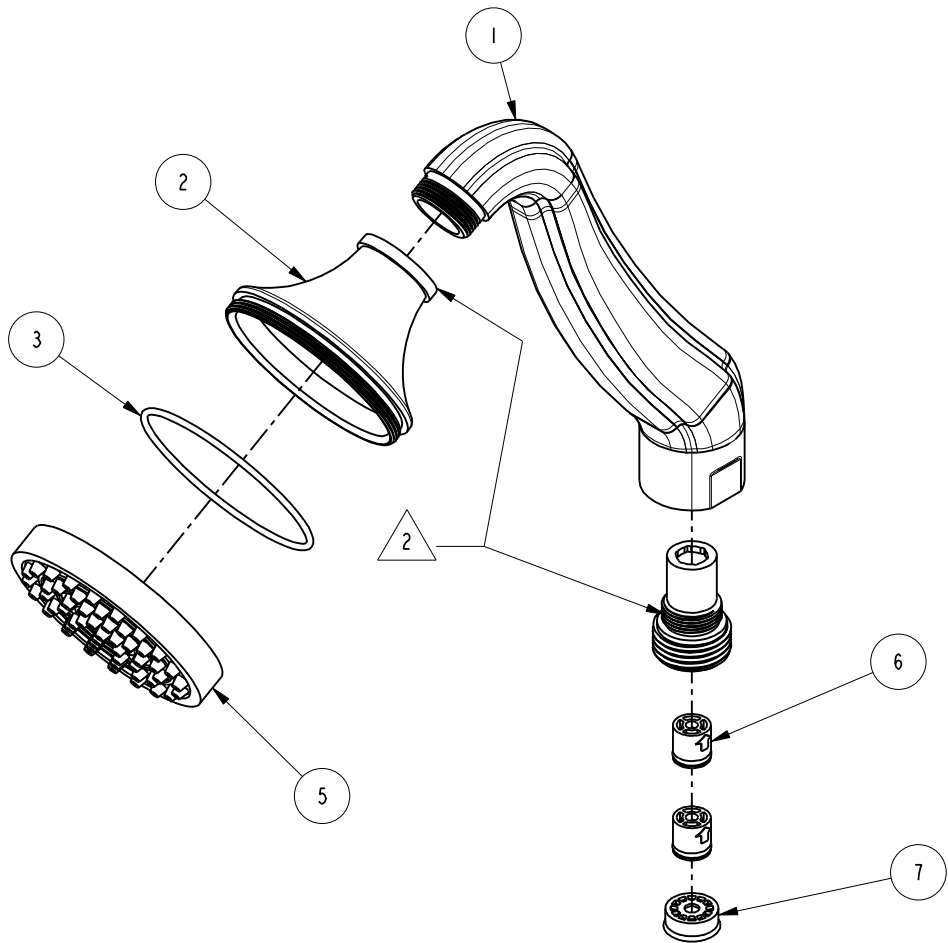
NOTES:

1. FIT / FORM / FUNCTION SHALL FOLLOW PS-E.008.

2. APPLY ADHESIVE LOCTITE 680.

BILL OF MATERIAL (CURRENT LEVEL)

ITEM	PT/ASSY	DESCRIPTION	TYPE	QTY.
1	80752	HANDSHOWER BODY	PART	1
2	80015	HANDSHOWER SHELL	PART	1
3	91386	O-RING, #2-034, EPDM, 65-75 DURO	PART	1
4	80753	END NUT	PART	1
5	8-052	FACE PLATE / JET ASM	ASSEMBLY	1
6	5-050	CHECK VALVE, NEOPERL DW10, WHITE	PART	2
7	12832	FLOW REGULATOR, 1.8 GPM MAX	PART	1



TESTING	-	-	-
ASSEMBLY	-	-	-
PLATING	-	-	-
POLISHING	-	NEXT ASSY	USED ON
MACHINING	-	APPLICATION	
TOOLING	FIXTURE #	REMOVE ALL BURRS AND SHARP EDGES	

UNITS ARE: INCHES [MM]  
 TOLERANCES ARE:  
 FRACTIONS DECIMALS ANGLES  
 $\pm 1/16"$  .X  $\pm .1$  [2.5]  $\pm 1"$   
 $\pm .xx$   $\pm .06$  [1.5]  
 (X.XXX) DENOTES CRITICAL DIMS.  
 ALL THREADS ARE CRITICAL  
 DRAWN JINSON 01/02/18  
 CHECKED C.G. 01/02/18  
 APPROVED C.G. 01/02/18

**BRASSTECH** 2001 CARNEGIE AVE.  
 INCORPORATED SANTA ANA, CA 92705  
 (949) 417-5207

**HANDSPRAY ASSEMBLY**

DWG NO. **283-5** REV **C**

SCALE .500 REF. - SHEET 1 OF 2

ZONE	REV	DESCRIPTION	DATE	APPROVED
-	C	EN-3410	01/02/18	C.G.
-	B	EN-3115	08/16/16	J.M.
-	A	EN-1878	09/16/11	-
-	-	EN-1735	06/10/11	-

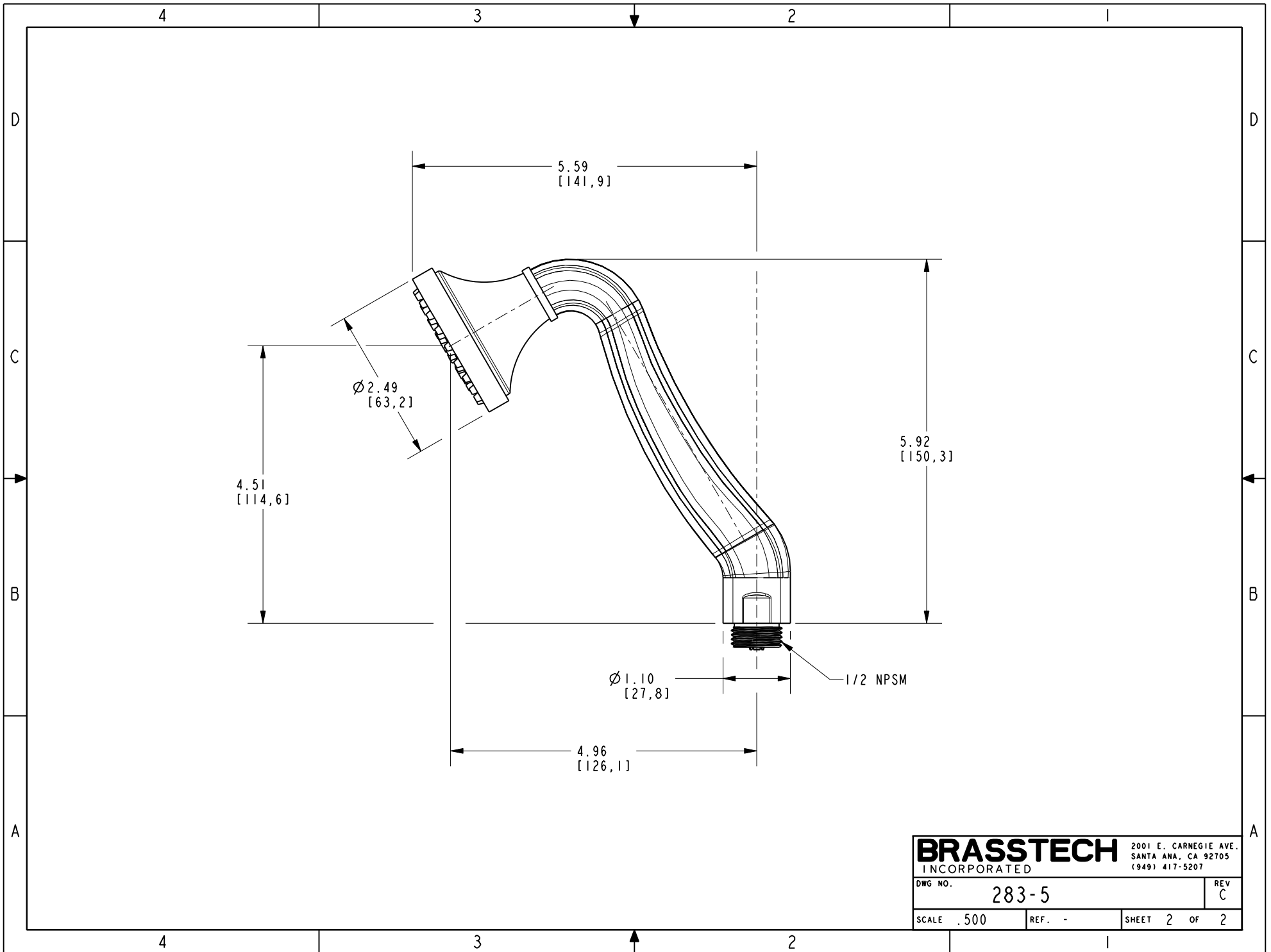
COPYRIGHT 2005 BRASSTECH, INC.  
 THESE DRAWINGS AND THE DESIGNS  
 DEPICTED HEREIN ARE THE PROPRIETARY  
 PROPERTY OF BRASSTECH. ANY USE  
 OR REPRODUCTION IS SUBJECT TO  
 THE EXPRESS APPROVAL OF BRASSTECH.  
 UNAUTHORIZED USE IS STRICTLY  
 PROHIBITED. ALL RIGHTS RESERVED.

4

3

2

1



<b>BRASSTECH</b>		2001 E. CARNEGIE AVE.	
INCORPORATED		SANTA ANA, CA 92705	
DWG NO. 283-5		REV C	
SCALE .500	REF. -	SHEET 2 OF 2	