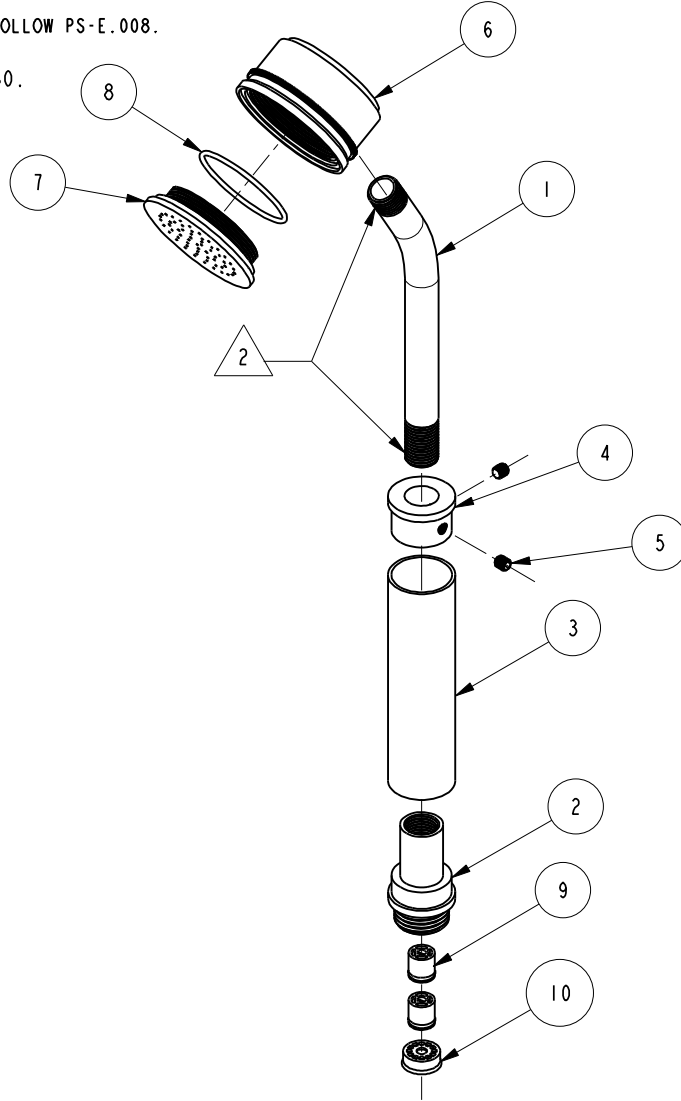


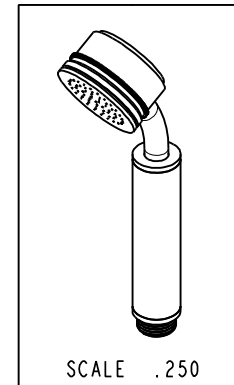
NOTES:

- (N1) 1. FIT / FORM / FUNCTION SHALL FOLLOW PS-E.008.
- 2. APPLY ADHESIVE LOCTITE 680.



BILL OF MATERIAL (CURRENT LEVEL)

ITEM	PT/ASSY	DESCRIPTION	TYPE	QTY.
1	50914	TUBE STEM	PART	1
2	50913	END NUT	PART	1
3	50489	HANDLE SLEEVE	PART	1
4	50487	HANDLE STOP	PART	1
5	92004	SCRW, 10-32 X 3/16 SKT HD FLT PT SS	PART	2
6	50697	HANDSHOWER BODY	PART	1
7	50488	FACEPLATE	PART	1
8	91159	O-RING, #2-029, EPDM, 65-75 DURO, NSF 61	PART	1
9	5-050	CHECK VALVE, NEOPERL DW10, WHITE	PART	2
10	12832	FLOW REGULATOR, 1.8 GPM MAX	PART	1



TESTING	-	-	-
ASSEMBLY	-	-	-
PLATING	-	-	-
POLISHING	-	NEXT ASSY	USED ON
MACHINING	-	APPLICATION	
TOOLING FIXTURE #	REMOVE ALL BURRS AND SHARP EDGES		

UNITS ARE: INCHES [MM]  
 TOLERANCES ARE:  
 FRACTIONS DECIMALS ANGLES  
 $\pm 1/16"$   $.X \pm .1$  [2,5]  $\pm 1^\circ$   
 $.XX \pm .06$  [1,5]  
 (X.XXX) DENOTES CRITICAL DIMS.  
 ALL THREADS ARE CRITICAL  
 DRAWN JINSON 01/01/18  
 CHECKED C.G. 01/01/18  
 APPROVED C.G. 01/01/18

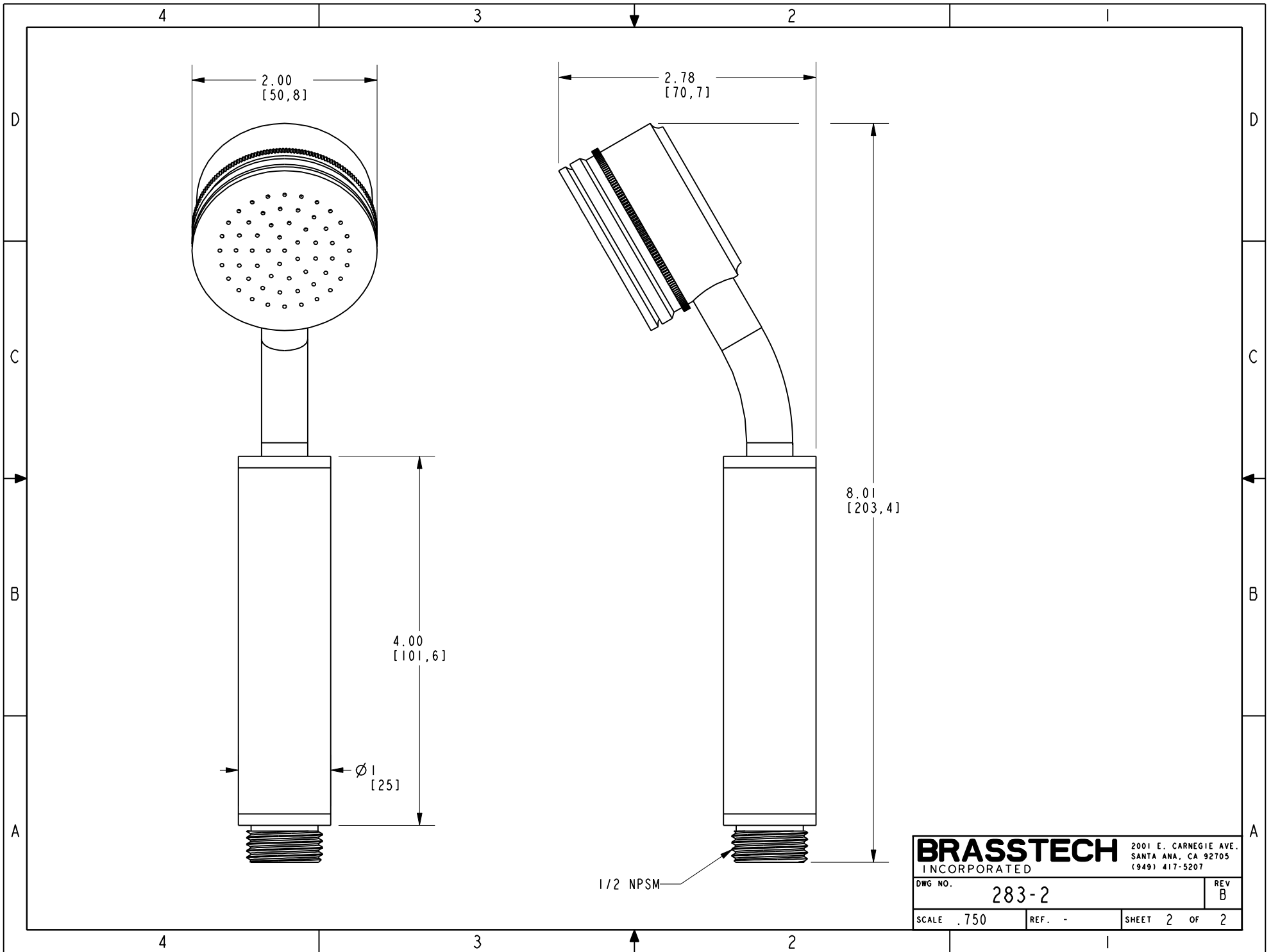
**BRASSTECH** INCORPORATED  
 2001 CARNEGIE AVE.  
 SANTA ANA, CA 92705  
 (949) 417-5207

**HAND SHOWER**

DWG NO. **283-2** REV B

SCALE .350 REF. - SHEET 1 OF 2

-	B	EN-3410	01/01/18	C.G.	COPYRIGHT 2005 BRASSTECH, INC. THESE DRAWINGS AND THE DESIGNS DEPICTED HEREIN ARE THE PROPRIETARY PROPERTY OF BRASSTECH. ANY USE OR REPRODUCTION IS SUBJECT TO THE EXPRESS APPROVAL OF BRASSTECH. UNAUTHORIZED USE IS STRICTLY PROHIBITED. ALL RIGHTS RESERVED.
-	A	EN-1668	07/07/11	-	
-	-	EO-0357	05/20/04	-	
ZONE	REV	DESCRIPTION	DATE	APPROVED	



<b>BRASSTECH</b>		2001 E. CARNEGIE AVE.	
INCORPORATED		SANTA ANA, CA 92705	
		(949) 417-5207	
DWG NO.	283-2	REV	B
SCALE .750	REF. -	SHEET 2	OF 2