

4

3

2

1

BILL OF MATERIAL (CURRENT LEVEL)

ITEM	PT/ASSY	DESCRIPTION	TYPE	QTY.
1	294	HAND SHOWER SLIDE BAR	ASSEMBLY	1
2	281-1	HAND SHOWER - TRADITIONAL	ASSEMBLY	1
3	284	59 IN. SPIRAL SHOWER HOSE	ASSEMBLY	1
4	285-1	SUPPLY ELBOW ASM - TRAD	ASSEMBLY	1

D

D

C

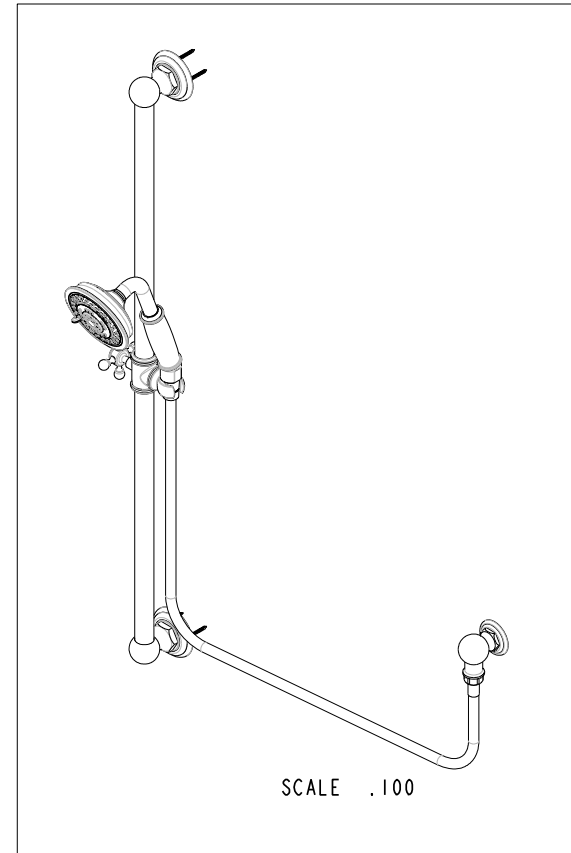
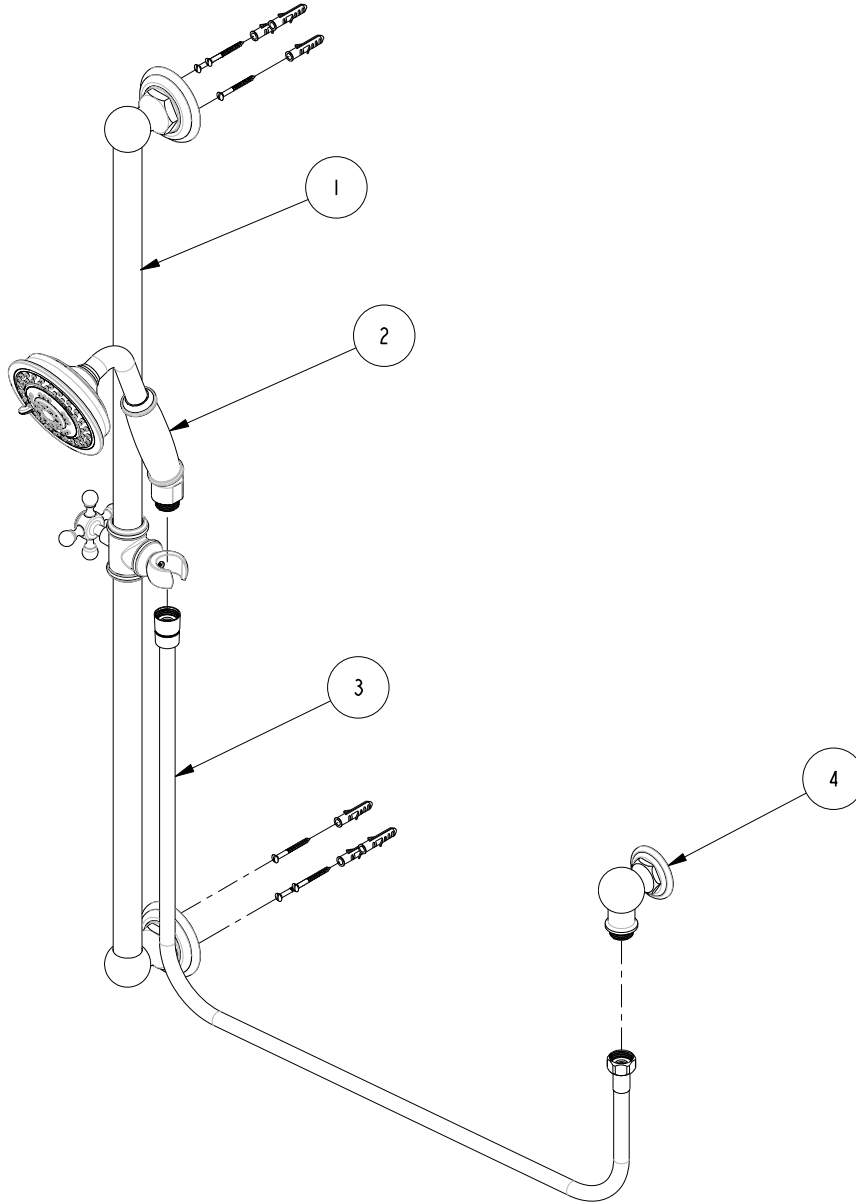
C

B

B

A

A



COPYRIGHT 2005 BRASSTECH, INC. THESE DRAWINGS AND THE DESIGNS DEPICTED HEREIN ARE THE PROPRIETARY PROPERTY OF BRASSTECH. ANY USE OR REPRODUCTION IS SUBJECT TO THE EXPRESS APPROVAL OF BRASSTECH. UNAUTHORIZED USE IS STRICTLY PROHIBITED. ALL RIGHTS RESERVED.

BRASSTECH
 INCORPORATED
 2001 E. CARNEGIE AVE.
 SANTA ANA, CA 92705
 (949) 417-5207

HAND SHOWER SLIDE BAR

ASSY. NO. **280E**

SCALE .150

REF. -

SHEET 1 OF 2

A	EN-1426	06/04/10
-	EN-0940	02/11/08
REV	REV DESC	DATE

4

3

2

1

