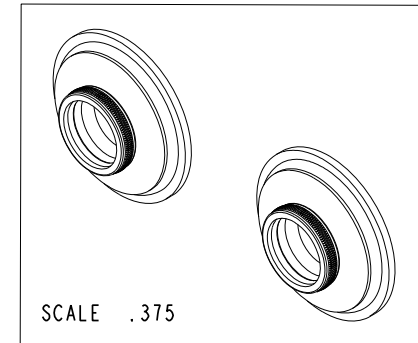
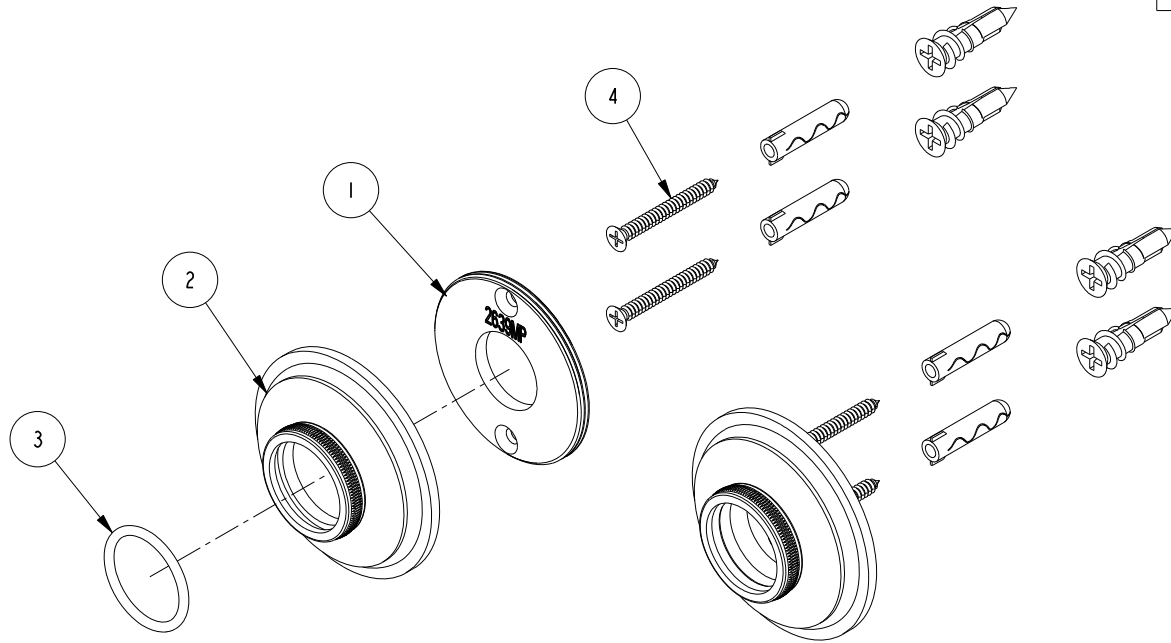


NOTES:

(N1) 1. FIT / FORM / FUNCTION SHALL FOLLOW PS-E.008.

BILL OF MATERIAL (CURRENT LEVEL)

ITEM	PT/ASSY	DESCRIPTION	TYPE	QTY.
1	2639MP	MOUNTING PLATE	PART	2
2	2600C	SHOWER ROD ROSETTE	PART	2
3	91073	O-RING, #2-120, EPDM, 65-75 DURO	PART	2
4	1-206	HARDWARE PACK	ASSEMBLY	2



TESTING	-	-	-
ASSEMBLY	-	-	-
PLATING	-	-	-
POLISHING	-	NEXT ASSY	USED ON
MACHINING	-	APPLICATION	
TOOLING FIXTURE #	REMOVE ALL BURRS AND SHARP EDGES		

UNITS ARE: INCHES [MM]		
TOLERANCES ARE:		
FRACTIONS	DECIMALS	ANGLES
±1/16"	.X ±.1 [2.5]	±1°
	.XX ±.06 [1.5]	
(X.XXX) DENOTES CRITICAL DIMS.		
ALL THREADS ARE CRITICAL		
DRAWN	R.S.	10/26/15
CHECKED	J.M.	10/26/15
APPROVED	J.M.	10/26/15

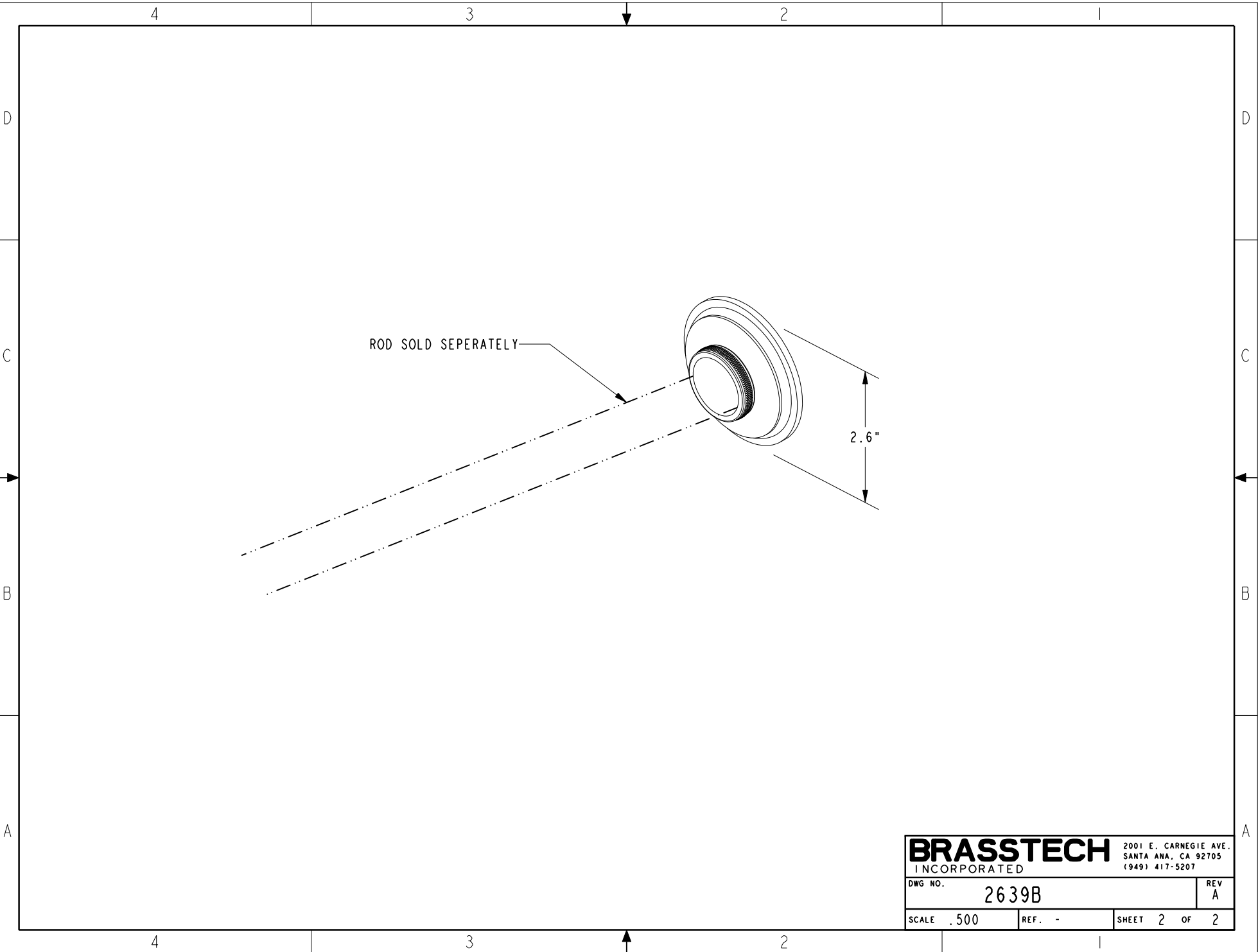
BRASSTECH 2001 CARNEGIE AVE.
INCORPORATED SANTA ANA, CA 92705
(949) 417-5207

SHOWER ROD BRACKETS

DWG NO.	2639B	REV	A
SCALE	.500	REF.	-
SHEET	1	OF	2

Copyright 2005 BRASSTECH, INC.
THESE DRAWINGS AND THE DESIGNS
DEPICTED HEREIN ARE THE PROPRIETARY
PROPERTY OF BRASSTECH. ANY USE
OR REPRODUCTION IS SUBJECT TO
THE EXPRESS APPROVAL OF BRASSTECH.
UNAUTHORIZED USE IS STRICTLY
PROHIBITED. ALL RIGHTS RESERVED.

-	A	EN-2964	10/26/15	J.M.
-	-	-	03/01/02	-
ZONE	REV	DESCRIPTION	DATE	APPROVED



ROD SOLD SEPERATELY

2.6"

BRASSTECH		2001 E. CARNEGIE AVE.	
INCORPORATED		SANTA ANA, CA 92705	
		(949) 417-5207	
DWG NO.	2639B	REV	A
SCALE .500	REF. -	SHEET 2	OF 2