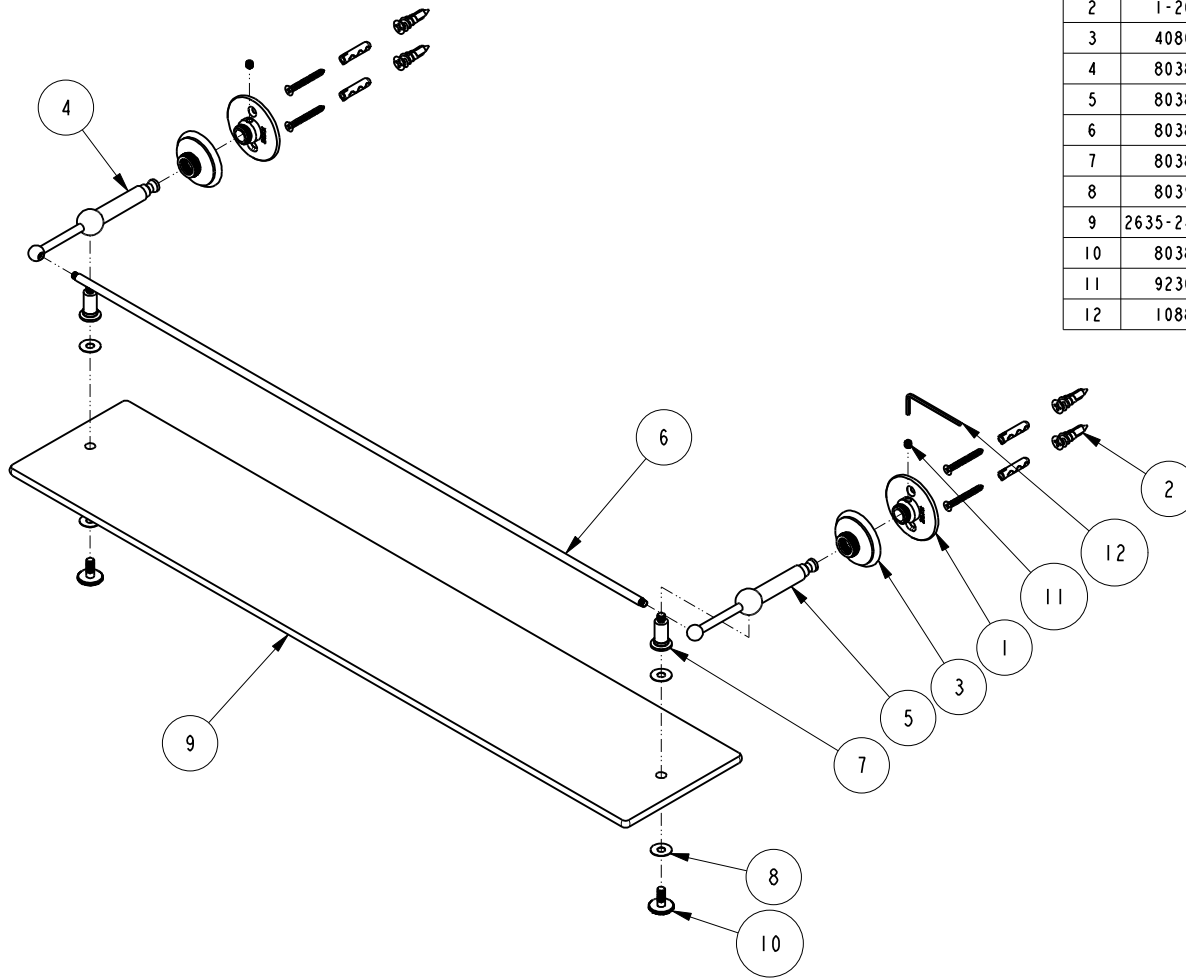


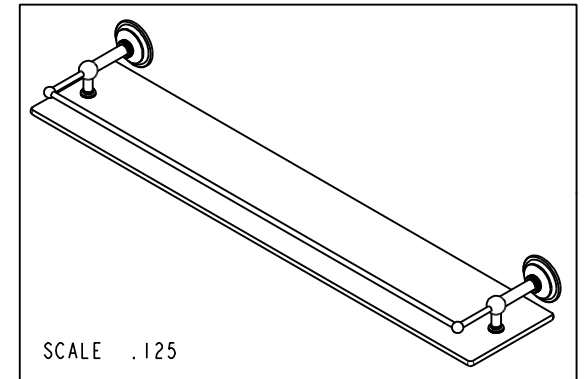
NOTES:

1. TO INSPECT ASSEMBLY, FOLLOW FIRST ARTICLE AND IN PROCESS INSPECTION SHEET.



BILL OF MATERIAL (CURRENT LEVEL)

ITEM	PT/ASSY	DESCRIPTION	TYPE	QTY.
1	26XX	MOUNTING FLANGE	PART	2
2	1-206	HARDWARE PACK	ASSEMBLY	2
3	40805	ROSETTE	PART	2
4	80385	GLASS SHELF POST - LEFT	PART	1
5	80386	GLASS SHELF POST - RIGHT	PART	1
6	80387	SHELF RAIL	PART	1
7	80388	RISER	PART	2
8	80390	SHELF WASHER	PART	4
9	2635-24TSL	26" TEMPERED GLASS SHELF	PART	1
10	80389	TOP SCREW	PART	2
11	92308	SCRW, M5 X 5 SKT HD CUP PT W/ SELF LOC SS	PART	2
12	10888	HEX KEY, 2.5MM ALLOY STEEL	PART	1



COPYRIGHT 2005 BRASSTECH, INC. THESE DRAWINGS AND THE DESIGNS DEPICTED HEREIN ARE THE PROPRIETARY PROPERTY OF BRASSTECH. ANY USE OR REPRODUCTION IS SUBJECT TO THE EXPRESS APPROVAL OF BRASSTECH. UNAUTHORIZED USE IS STRICTLY PROHIBITED. ALL RIGHTS RESERVED.

TESTING	-	-	-
ASSEMBLY	-	-	-
PLATING	-	-	-
POLISHING	-	NEXT ASSY	USED ON
MACHINING	-	APPLICATION	
TOOLING FIXTURE #	REMOVE ALL BURRS AND SHARP EDGES		

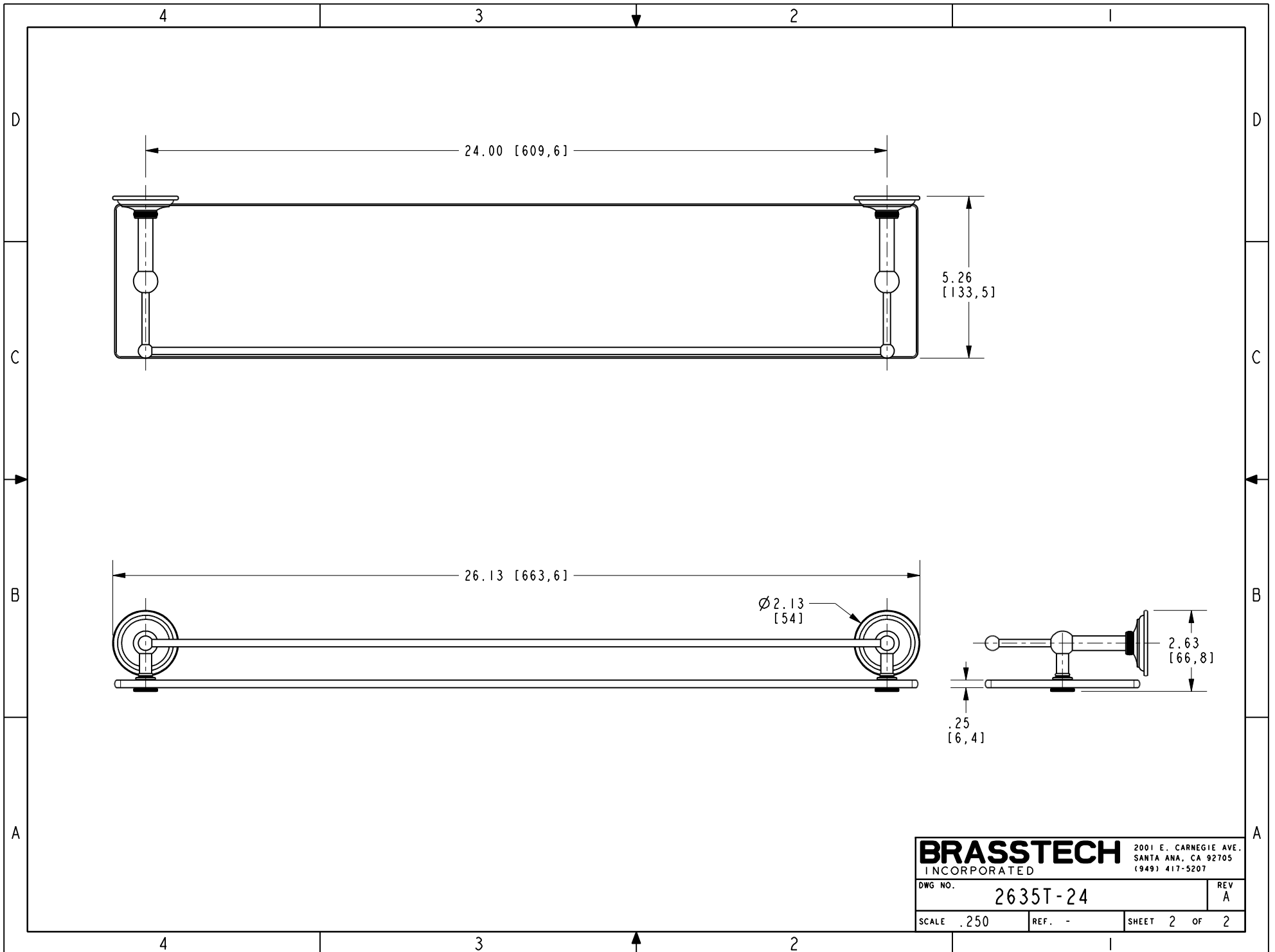
UNITS ARE: INCHES [MM]		
TOLERANCES ARE:		
FRACTIONS DECIMALS	ANGLES	
±1/16"	±°	
.X ±.1 [2.5]		
.XX ±.06 [1.5]		
(X.XXX) DENOTES CRITICAL DIMS.		
ALL THREADS ARE CRITICAL		
DRAWN	JINSON	12/01/21
CHECKED	R.S.	12/01/21
APPROVED	R.S.	12/01/21

BRASSTECH 2001 CARNEGIE AVE.
INCORPORATED SANTA ANA, CA 92705
(949) 417-5207

GLASS SHELF W/ RAIL

ZONE	REV	DESCRIPTION	DATE	APPROVED
-	A	EN-4418	12/01/21	R.S.

DWG NO.	2635T-24	REV	A
SCALE	.175	REF.	-
SHEET	1	OF	2



BRASSTECH		2001 E. CARNEGIE AVE. SANTA ANA, CA 92705 (949) 417-5207
DWG NO.	2635T-24	REV A
SCALE .250	REF. -	SHEET 2 OF 2