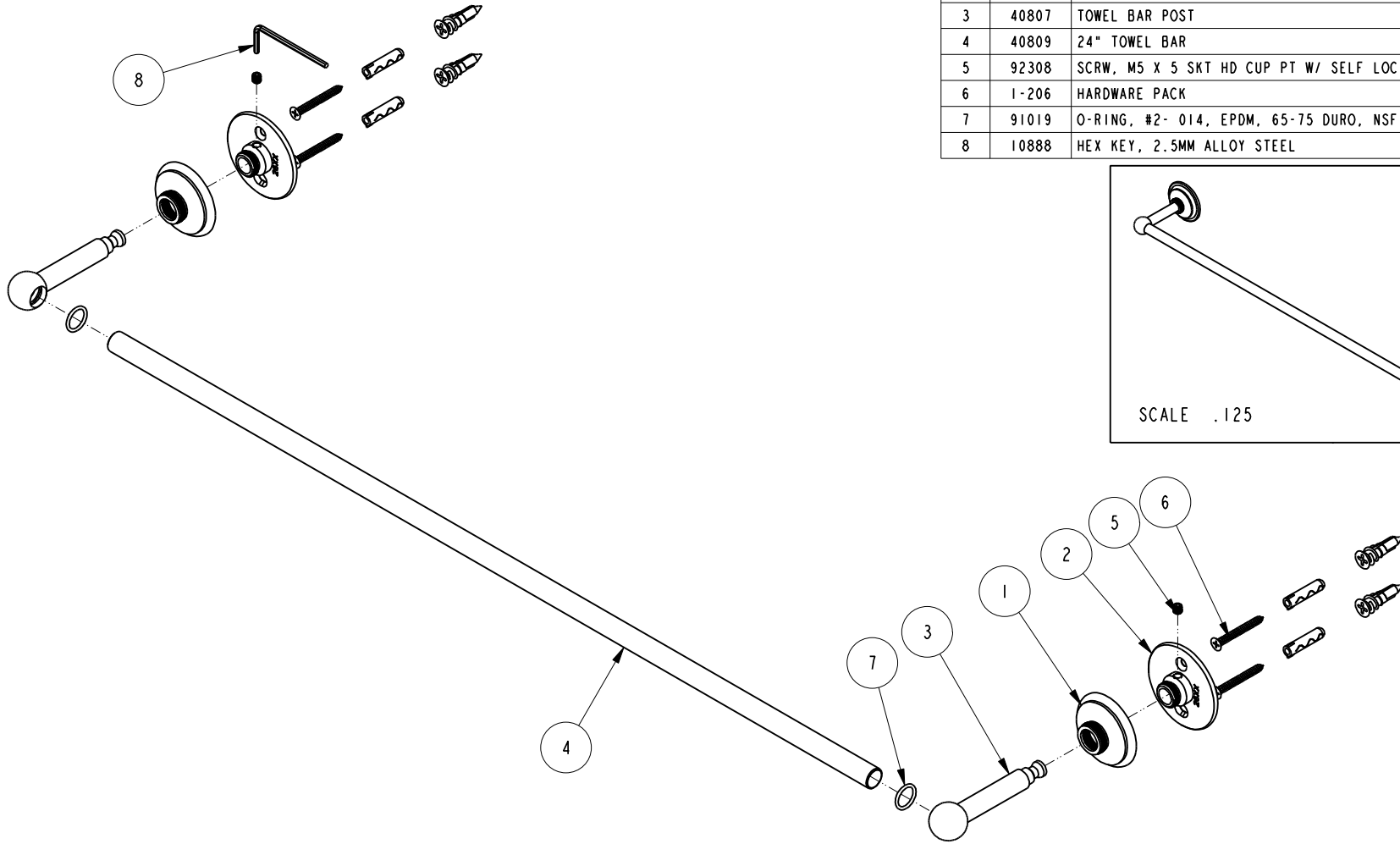
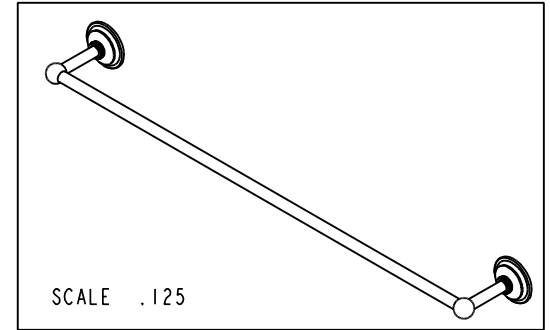


NOTES:

1. TO INSPECT ASSEMBLY, FOLLOW FIRST ARTICLE AND IN PROCESS INSPECTION SHEET.

BILL OF MATERIAL (CURRENT LEVEL)

ITEM	PT/ASSY	DESCRIPTION	TYPE	QTY.
1	40805	ROSETTE	PART	2
2	26XX	MOUNTING FLANGE	PART	2
3	40807	TOWEL BAR POST	PART	2
4	40809	24" TOWEL BAR	PART	1
5	92308	SCRW, M5 X 5 SKT HD CUP PT W/ SELF LOC SS	PART	2
6	1-206	HARDWARE PACK	ASSEMBLY	2
7	91019	O-RING, #2- 014, EPDM, 65-75 DURO, NSF 61	PART	2
8	10888	HEX KEY, 2.5MM ALLOY STEEL	PART	1



TESTING	-	-	-
ASSEMBLY	-	-	-
PLATING	-	-	-
POLISHING	-	NEXT ASSY	USED ON
MACHINING	-	APPLICATION	
TOOLING FIXTURE #		REMOVE ALL BURRS AND SHARP EDGES	

UNITS ARE: INCHES [MM]
TOLERANCES ARE:
FRACTIONS DECIMALS ANGLES
±1/16" .X ±.1 [2.5] ±°
.XX ±.06 [1.5]

(X.XXX) DENOTES CRITICAL DIMS.
ALL THREADS ARE CRITICAL

DRAWN	JINSON	12/01/12
CHECKED	R.S.	12/01/12
APPROVED	R.S.	12/01/12

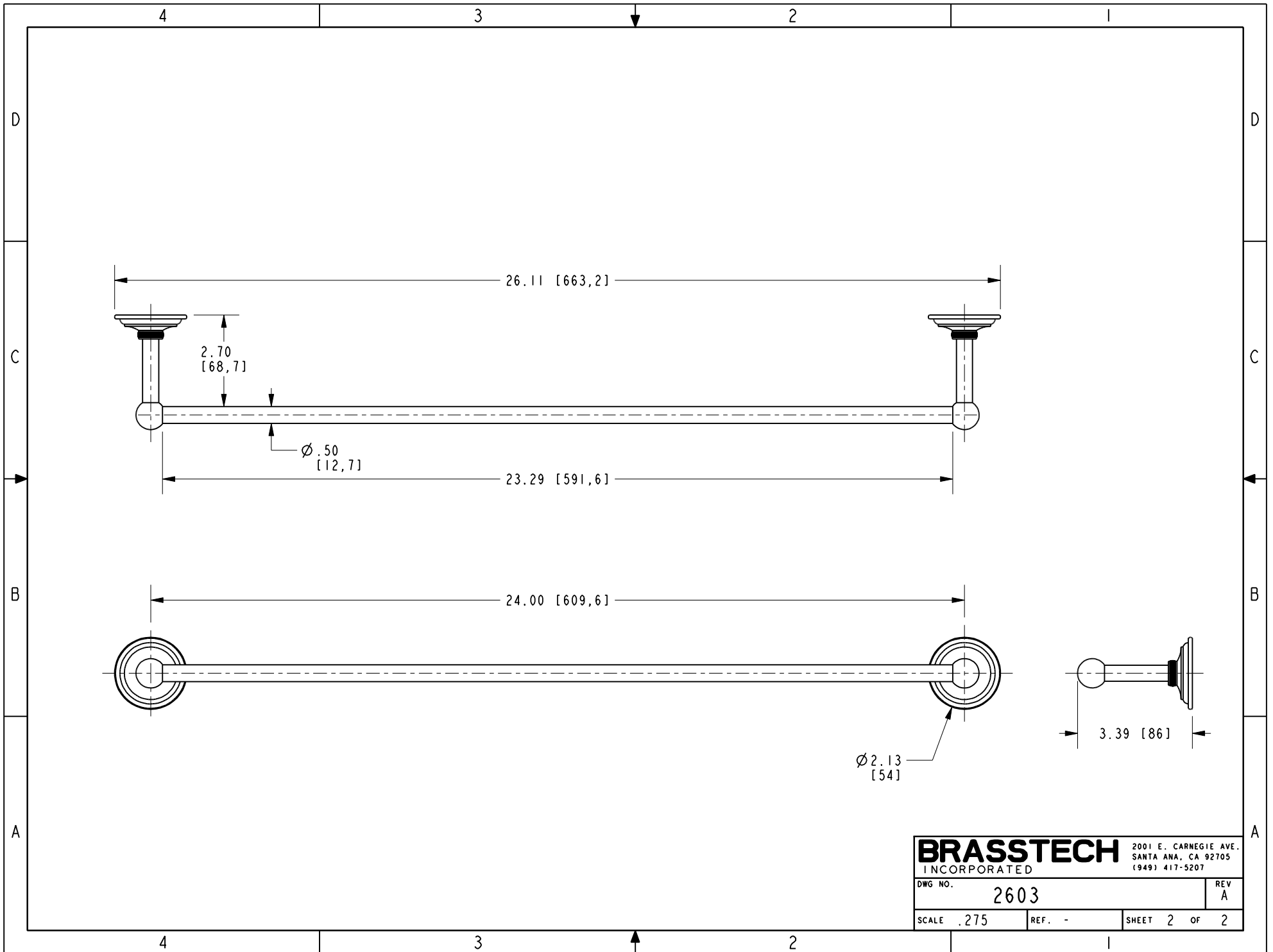
BRASSTECH 2001 CARNEGIE AVE.
INCORPORATED SANTA ANA, CA 92705
(949) 417-5207

24" TOWEL BAR

DWG NO.	2603	REV	A
SCALE	.275	REF.	-
SHEET	1	OF	2

COPYRIGHT 2005 BRASSTECH, INC. THESE DRAWINGS AND THE DESIGNS DEPICTED HEREIN ARE THE PROPRIETARY PROPERTY OF BRASSTECH. ANY USE OR REPRODUCTION IS SUBJECT TO THE EXPRESS APPROVAL OF BRASSTECH. UNAUTHORIZED USE IS STRICTLY PROHIBITED. ALL RIGHTS RESERVED.

-	A	EN-4418	12/01/21	R.S.
-	-	RELEASED	02/01/04	-
ZONE	REV	DESCRIPTION	DATE	APPROVED



BRASSTECH		2001 E. CARNEGIE AVE. SANTA ANA, CA 92705 (949) 417-5207	
DWG NO.	2603	REV	A
SCALE	.275	REF.	-
SHEET 2		OF 2	