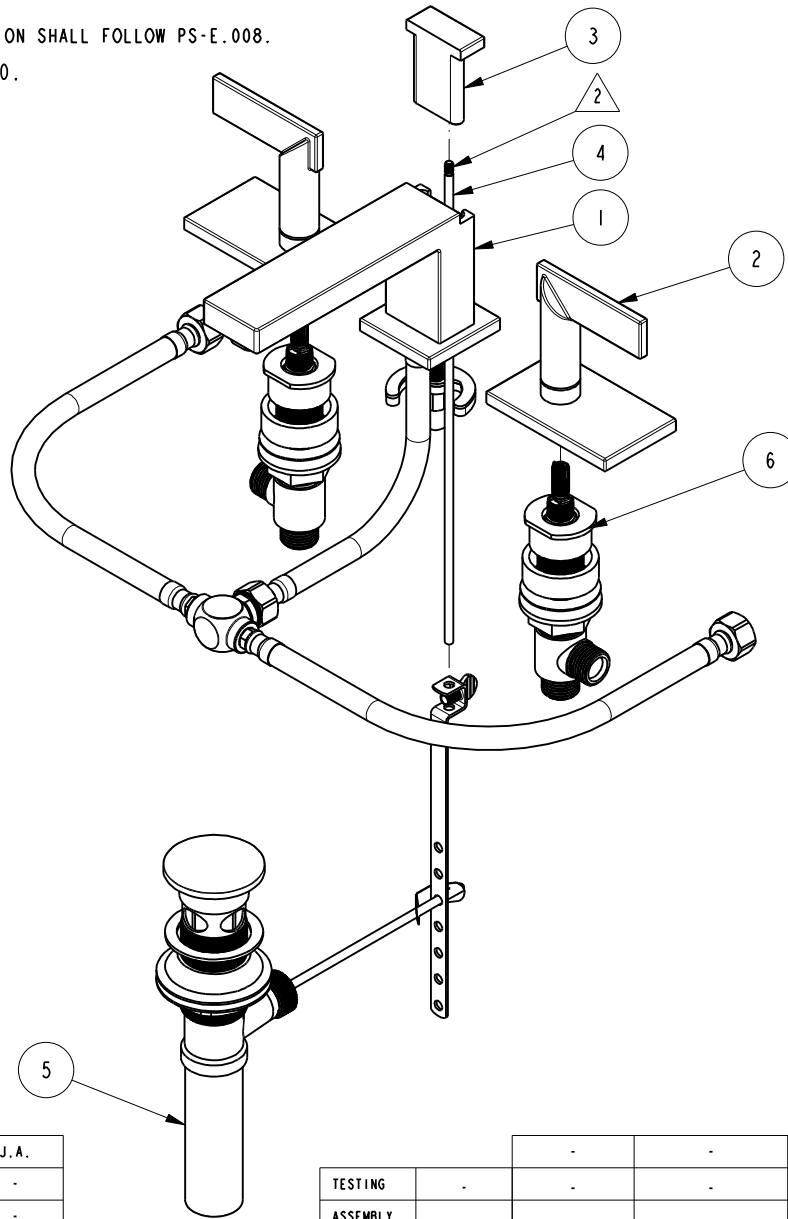


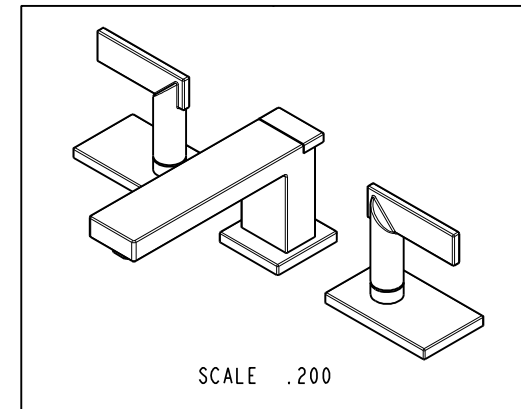
NOTES:

- 1. FIT / FORM / FUNCTION SHALL FOLLOW PS-E.008.
- 2. APPLY LOCTITE 680.



BILL OF MATERIAL (CURRENT LEVEL)

ITEM	PT/ASSY	DESCRIPTION	TYPE	QTY.
1	3-436	SPOUT ASM	ASSEMBLY	1
2	3-609	LEVER HANDLE ASM	ASSEMBLY	2
3	80030	POP UP KNOB	PART	1
4	10288	3/16" POP UP ROD	PART	1
5	325	POP UP ASSEMBLY	ASSEMBLY	1
6	1-676	W/S VALVE INSTALLATION	ASSEMBLY	1



ZONE	REV	DESCRIPTION	DATE	APPROVED
-	E	EN-3334	01/04/18	J.A.
-	D	EN-2541-1	09/05/14	-
-	C	EN-2813	09/22/14	-
-	B	EN-2120	04/05/12	-
-	A	EN-1913	02/29/12	-
-	-	EN-1735	06/10/11	-

COPYRIGHT 2005 BRASSTECH, INC. THESE DRAWINGS AND THE DESIGNS DEPICTED HEREIN ARE THE PROPRIETARY PROPERTY OF BRASSTECH. ANY USE OR REPRODUCTION IS SUBJECT TO THE EXPRESS APPROVAL OF BRASSTECH. UNAUTHORIZED USE IS STRICTLY PROHIBITED. ALL RIGHTS RESERVED.

TESTING	ASSEMBLY	PLATING	POLISHING	MACHINING	TOOLING	FIXTURE #	APPLICATION
-	-	-	-	-	-	-	REMOVE ALL BURRS AND SHARP EDGES
-	-	-	-	-	-	-	NEXT ASSY USED ON

UNITS ARE:	TOLERANCES ARE:	FRACTIONS DECIMALS	ANGLES
INCHES [MM]			
		$\pm 1/16"$	$\pm 1"$
		.X \pm .1 [2.5]	
		.XX \pm .06 [1.5]	

(X.XXX) DENOTES CRITICAL DIMS. ALL THREADS ARE CRITICAL

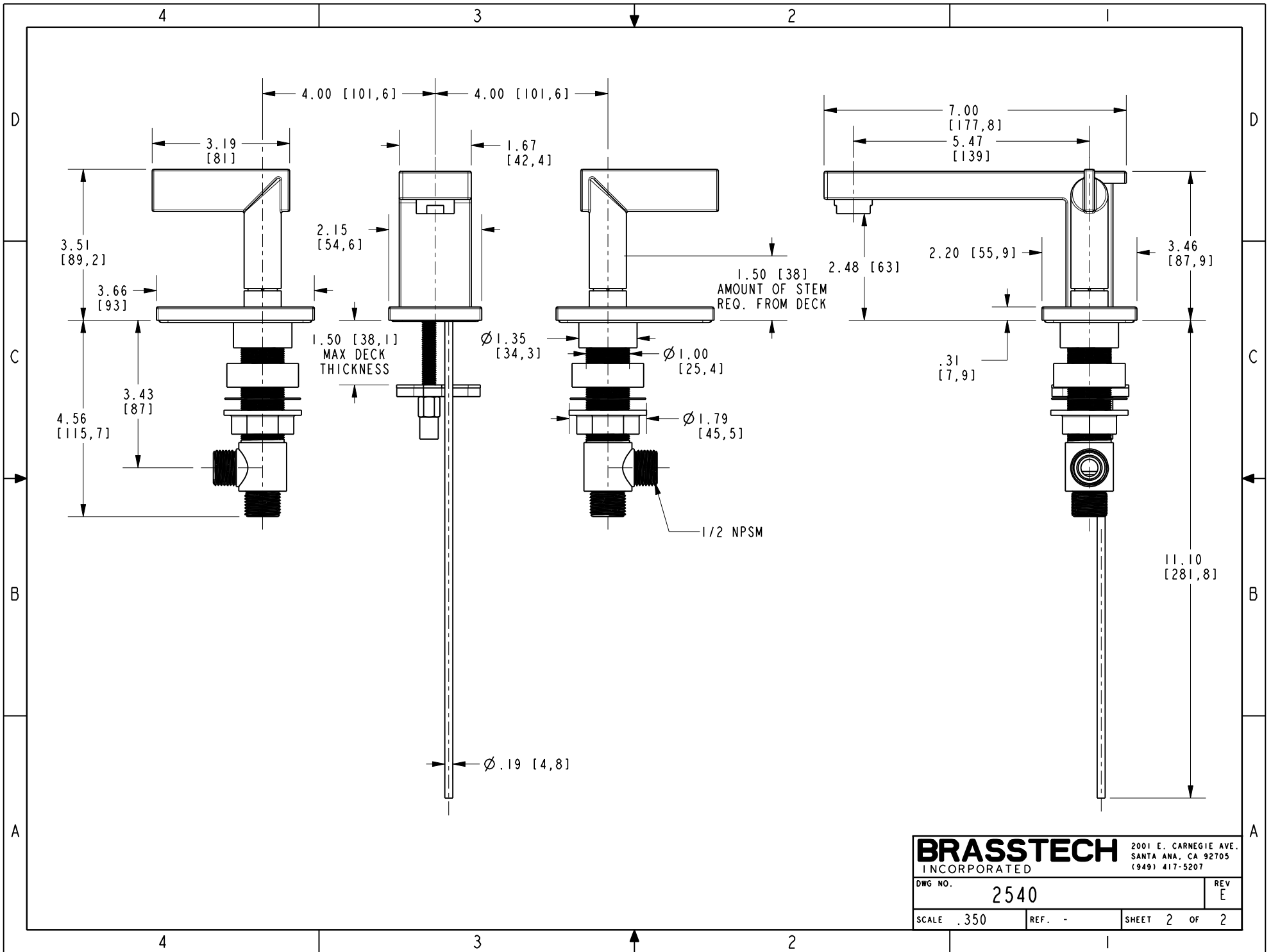
DRAWN	JINSON	01/04/18
CHECKED	J.A.	01/04/18
APPROVED	J.A.	01/04/18

BRASSTECH 2001 CARNEGIE AVE. SANTA ANA, CA 92705 (949) 417-5207
INCORPORATED

WIDESPREAD LAVATORY FAUCET

DWG NO. **2540** REV **E**

SCALE .240 REF. - SHEET 1 OF 2



BRASSTECH		2001 E. CARNEGIE AVE.	
INCORPORATED		SANTA ANA, CA 92705	
DWG NO. 2540		REV E	
SCALE .350	REF. -	SHEET 2 OF 2	