





UTTERMOST

Assembly Instruction

STYLE: 25369

Hardware list

A		ALLEN WRENCH 4mm	1pc
B		BOLT Ø1/4**1 1/4"	6pcs
C		SPRING WASHER Ø1/4"	6pcs
D		FLAT WASHER Ø1/4"x16mm	6pcs
E		ANTI-TIP HARDWARE	1pc

Parts list

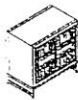

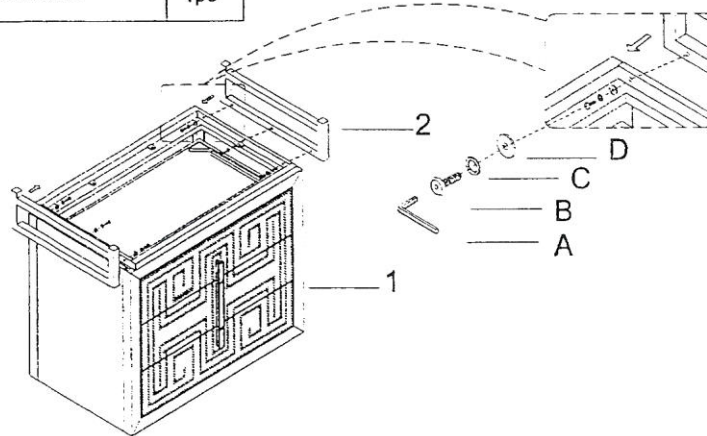
1		CHEST BASE	1pc
2		SIDE FRAME	2pcs

Figure 1



Step 1:

Attach the Side Frame (2) to the Chest Base (1) with Bolt, Spring Washer, Flat washer, and tighten with the Allen Wrench. (See Figure 1)

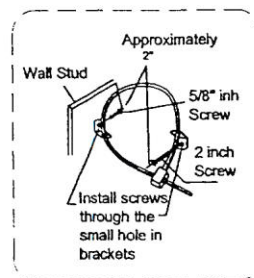
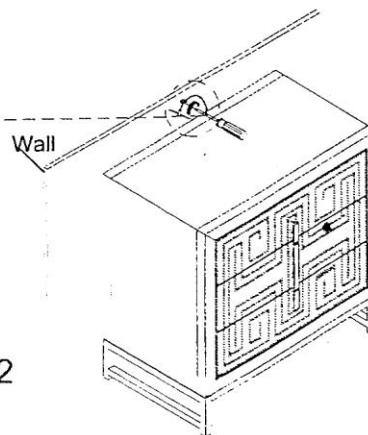


Figure 2



Step 2:

Anti-tip hardware is included for use. We recommend installing for safety reason. Adjust the leveler on the legs until the furniture is level. (See Figure 2)