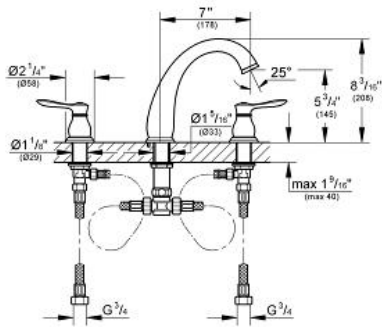


PARKFIELD
Roman Bathtub Faucet
MODEL # 25152EN0

Pure Freude
an Wasser

GROHE



ADA

Product Description:
PARKFIELD
Roman Bathtub Faucet

Standard Specification:

- Spout with flow control
- **GROHE StarLight** finish
- 1/2" (13mm) ceramic cartridge (90° turn)
- Pressure resistant flexible connection hoses (between spout and side valves)
- Max Flow Rate 13.2 gpm at 45 psi (50 L/min)

Applicable Codes & Standards:

- Energy Policy Act of 1992
- ASME A112.18.1/CSA B125.1
- ICC/ANSI A117.1

Color:

- 25152EN0 Brushed Nickel