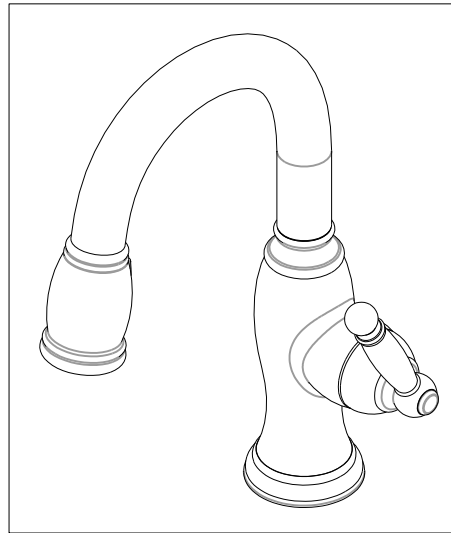


NOTES:

- (N1) 1. FIT / FORM / FUNCTION SHALL FOLLOW PS-E.008.
- 2. PUT THESE ITEMS IN SEPARATE PLASTIC BAGS.
- 3. TORQUE TO 7.5-8.5 LB-FT.
- 4. APPLY THIN COAT OF SILICON GREASE FOR ALL O-RINGS BEFORE INSTALLATION.
- 5. APPLY LOCTITE 242, IF SCREW DOES NOT HAVE NYLON PATCH.
- 6. APPLY LOCTITE 680.



BILL OF MATERIAL (CURRENT LEVEL)

ITEM	PT/ASSY	DESCRIPTION	TYPE	QTY.
1	2-779	MAIN BODY ASM, NADYA	ASSEMBLY	1
2	12753	SPOUT ADAPTER	PART	1
3	1-064	SINGLE LEVER CARTRIDGE	PART	1
4	91712	SLEEVE	PART	1
5	11714	CARTRIDGE RETAINER	PART	1
6	11715	CARTRIDGE CAP	PART	1
7	2-745	HANDLE ASM, TRAD	ASSEMBLY	1
8	2-778	CAP ASM	ASSEMBLY	1
9	92035	SCRW, M4 X .7 X 10 PHL FLT HD SS	PART	1
10	91534	CARTRIDGE STEM INSERT	PART	1
11	91030	O-RING, #2- 115, EPDM, 65-75 DURO, NSF 61	PART	4
12	12494	SPOUT	PART	1
13	91544	MAGNET DOCKING	ASSEMBLY	1
14	3-415	SPRAY HEAD, TRADITIONAL	ASSEMBLY	1
15	11877	HOSE, PULLDOWN SWIVEL	ASSEMBLY	1
16	2-777	BASE RING ASM	ASSEMBLY	1
17	91568	RETAINER CLIP	PART	1
18	1-256	MOUNTING KIT	ASSEMBLY	1
19	91255	O-RING, #2- 011, EPDM, 65-75 DURO, NSF-61	PART	2
20	91341	ZIP TIE	PART	1
21	98044	LABEL - HOT	PART	1
22	1-286	WEIGHT ASM	ASSEMBLY	1

ZONE	REV	DESCRIPTION	DATE	APPROVED
-	E	EN-3034L	09/08/17	J.A
-	D	EN-3034F	04/20/17	J.A
-	C	EN-3034	04/13/17	J.A
-	B	EN-2500	04/22/13	-
-	A	EN-2443a	04/18/13	-
-	-	EN-2493	03/25/13	-

COPYRIGHT 2005 BRASSTECH, INC. THESE DRAWINGS AND THE DESIGNS DEPICTED HEREIN ARE THE PROPRIETARY PROPERTY OF BRASSTECH. ANY USE OR REPRODUCTION IS SUBJECT TO THE EXPRESS APPROVAL OF BRASSTECH. UNAUTHORIZED USE IS STRICTLY PROHIBITED. ALL RIGHTS RESERVED.

TESTING	-	-	-
ASSEMBLY	-	-	-
PLATING	-	-	-
POLISHING	-	NEXT ASSY	USED ON
MACHINING	-	APPLICATION	
TOOLING FIXTURE #	REMOVE ALL BURRS AND SHARP EDGES		

UNITS ARE: INCHES [MM]
TOLERANCES ARE:
FRACTIONS DECIMALS ANGLES
±1/16" .X ±.1 [2.5] ±1°
.XX ±.06 [1.5]

(X.XXX) DENOTES CRITICAL DIMS.
ALL THREADS ARE CRITICAL

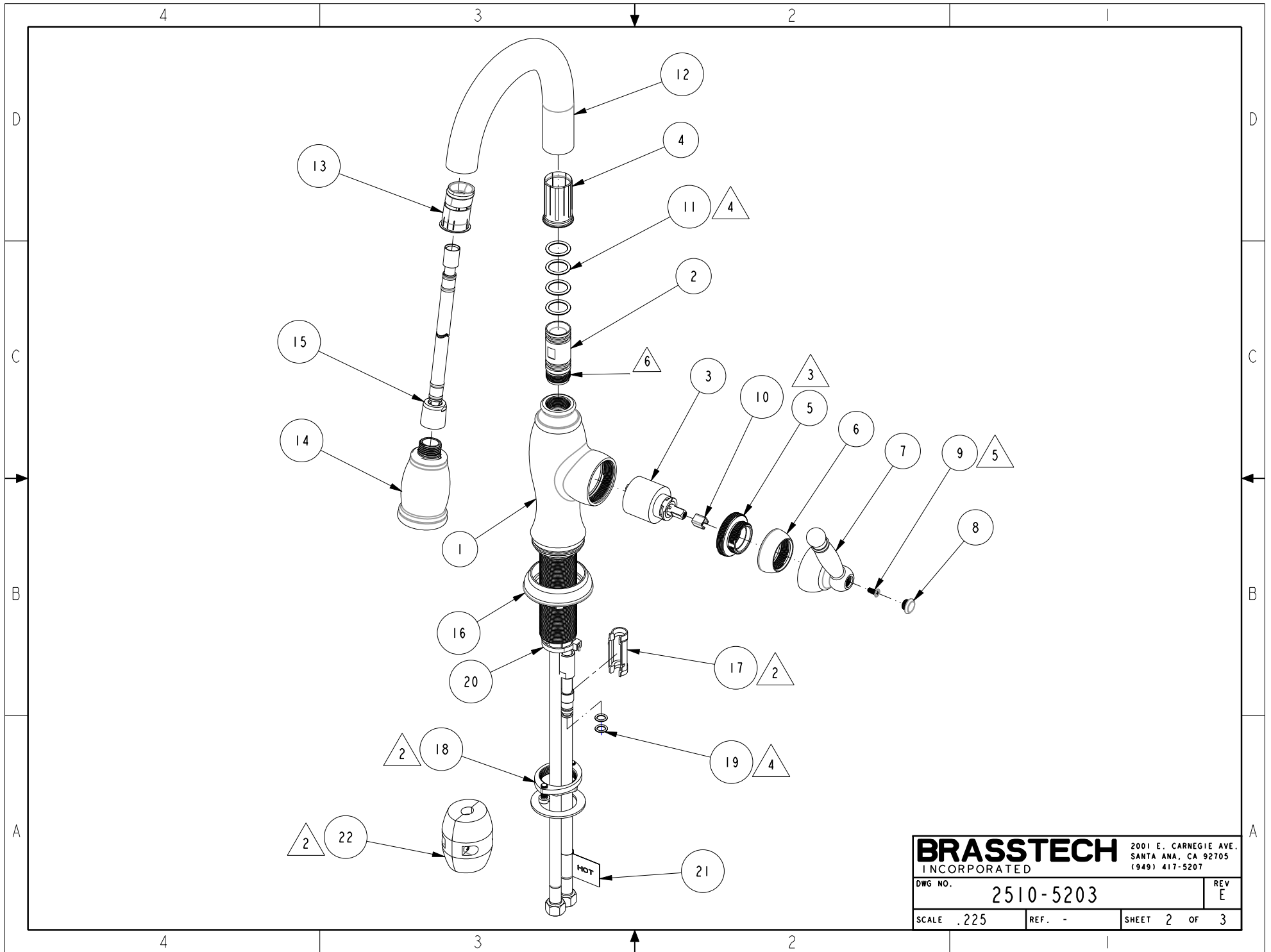
DRAWN	JINSON	09/08/17
CHECKED	RAVINDRA	09/08/17
APPROVED	J.A	09/08/17

BRASSTECH 2001 CARNEGIE AVE.
INCORPORATED SANTA ANA, CA 92705
(949) 417-5207

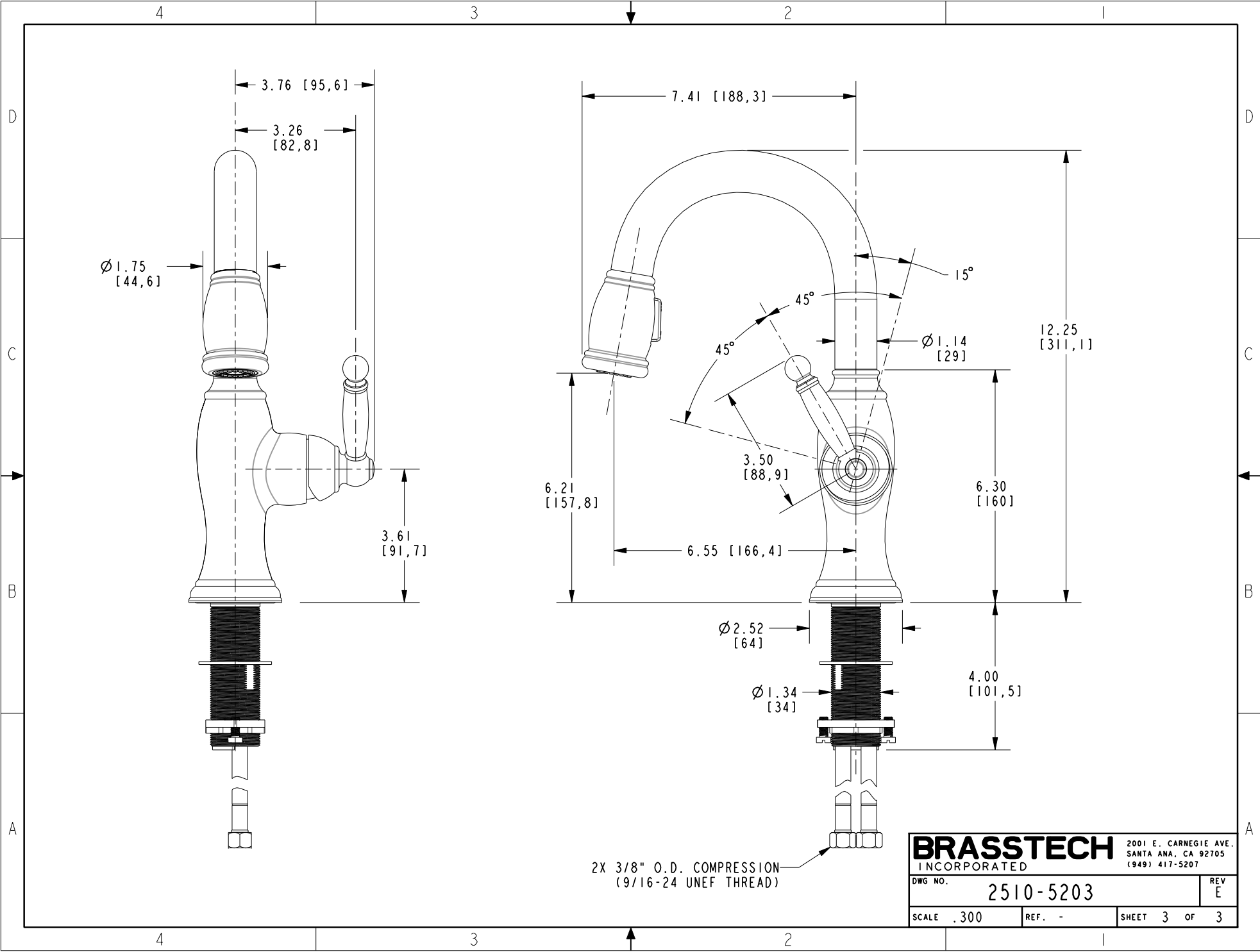
NADYA PULL DOWN -
BAR/PREP FAUCET

DWG NO. 2510-5203

SCALE .250 REF. - SHEET 1 OF 3



BRASSTECH		2001 E. CARNEGIE AVE.
INCORPORATED		SANTA ANA, CA 92705
		(949) 417-5207
DWG NO.	2510-5203	REV E
SCALE .225	REF. -	SHEET 2 OF 3



BRASSTECH		2001 E. CARNEGIE AVE. SANTA ANA, CA 92705 (949) 417-5207
DWG NO.	2510-5203	REV E
SCALE .300	REF. -	SHEET 3 OF 3