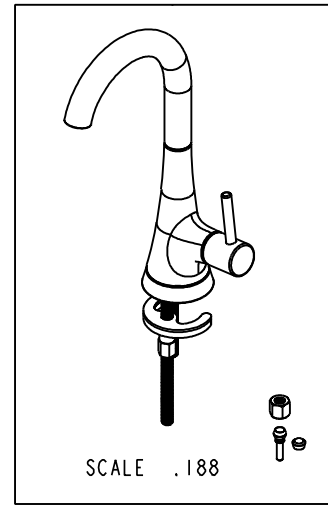


- 1. ASSEMBLY SHALL BE WATER TESTED.
- 2. BAG 5-007 IN A SEPARATE BAG.
- 3. INSTALLATION TORQUE 8-14 LB-FT.
- 4. SLIT O-RING, ITEM 4, BEFORE INSTALLING.
- 5. APPLY LOCTITE 680.
- 6. APPLY THIN FILM OF DOW CORNING 111
- 7. APPLY LOCTITE 242.

BILL OF MATERIAL (CURRENT LEVEL)				
ITEM	PT/ASSY	DESCRIPTION	TYPE	QTY.
1	11827	BODY_COLD	PART	1
2	1-134	CARTR 3/8 HOT 1/4 TR	PART	1
3	50760	NIPPLE WATER DISP	PART	1
4	91383	O-RING, #2- 014, TEFLON, NSF 61	PART	1
5	11822	SPOUT	PART	1
6	11825	ADAPTER - VESSA WATER DISPENSER	PART	1
7	91018	O-RING, #2- 013, EPDM, 65-75 DURO, NSF-61	PART	4
8	11833	ADAPTER	PART	1
9	92477	SCRW, M4 X 16 SKT FLT HD SS	PART	1
10	11823	HANDLE	PART	1
11	91256	O-RING, #2-128, EPDM, 65-75 DURO	PART	1
12	11824	LEVER, HANDLE	PART	1
13	92486	SCRW, 8-32 X 1/2 SKT HD CUP PT SS	PART	1
14	10661	MOUNTING STUD	PART	1
15	10514	MOUNTING CRESCENT	PART	1
16	91063	MOUNTING CRESCENT GASKET	PART	1
17	10516	MOUNTING NUT	PART	1
18	5-007	1/4 COMP KIT	ASSEMBLY	1



COPYRIGHT 2005 BRASSTECH, INC. THESE DRAWINGS AND THE DESIGNS DEPICTED HEREIN ARE THE PROPRIETARY PROPERTY OF BRASSTECH. ANY USE OR REPRODUCTION IS SUBJECT TO THE EXPRESS APPROVAL OF BRASSTECH. UNAUTHORIZED USE IS STRICTLY PROHIBITED. ALL RIGHTS RESERVED.

BRASSTECH
INCORPORATED
2001 E. CARNEGIE AVE.
SANTA ANA, CA 92705
(949) 417-5207

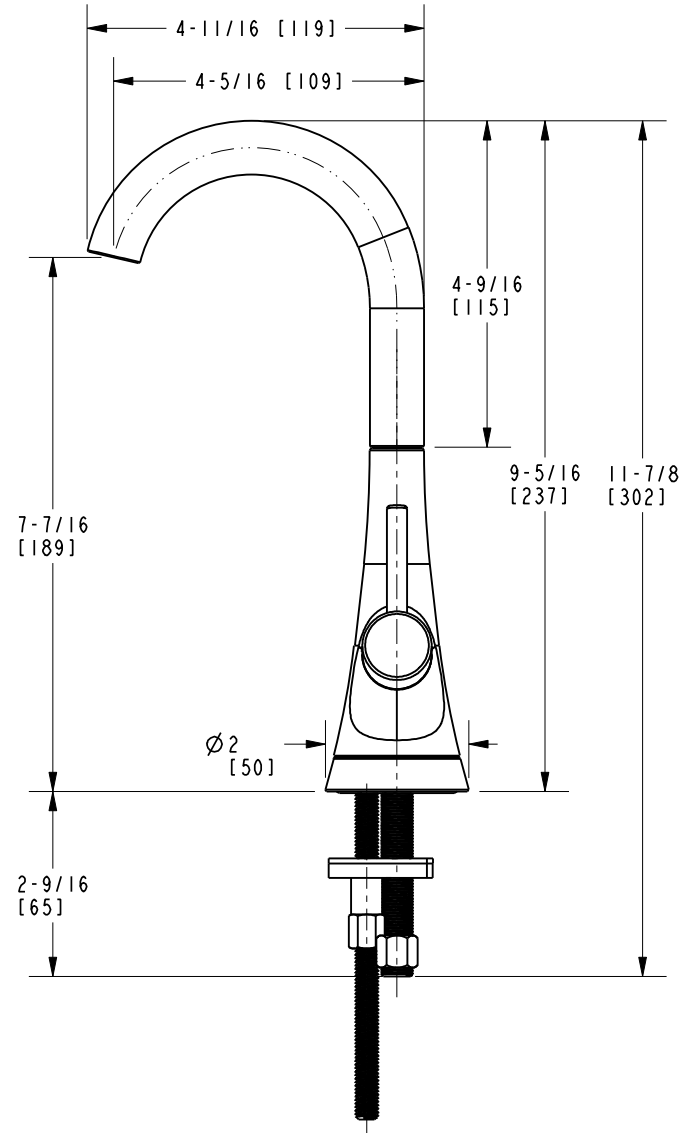
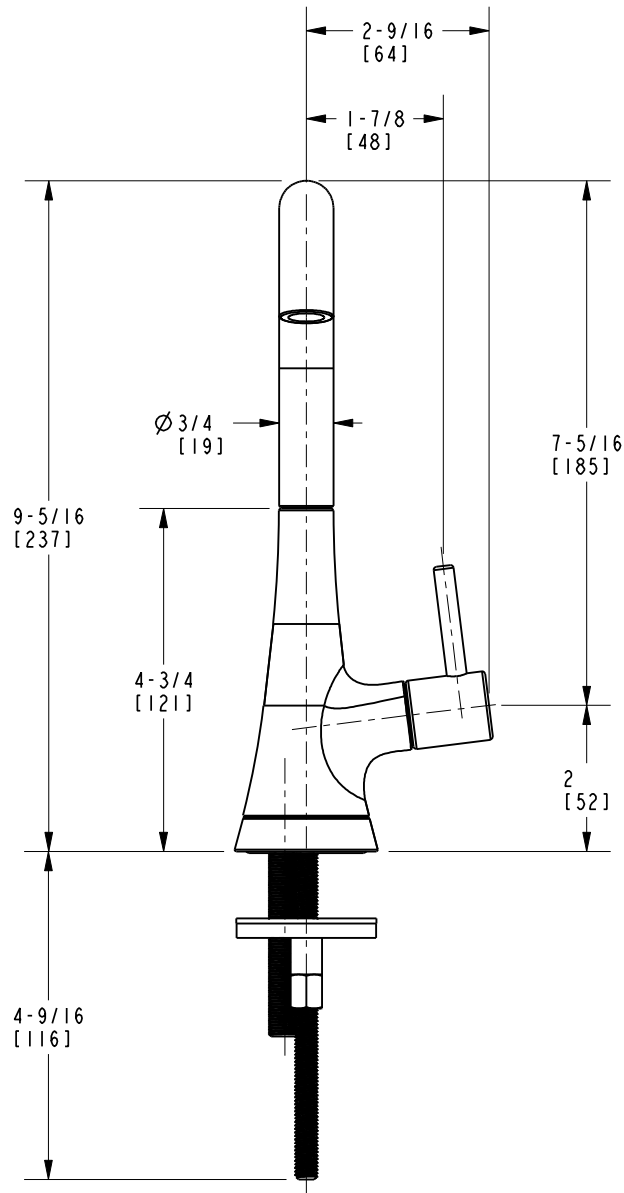
VESPERA COLD WATER DISPENSER

ASSY. NO. 2500-5623

SCALE .270	REF. -	SHEET 1 OF 2	REV	REV DESC	DATE
------------	--------	--------------	-----	----------	------

C	EN-2601	09/16/13
B	EN-2528	05/08/13
A	EN-1941	01/31/12
-	EN-1552-4	02/01/11

SPECIFICATION DWG



DIMENSIONS ARE IN INCHES AND AN APPROXIMATION OF A TYPICAL INSTALLATION

COPYRIGHT 2005 BRASSTECH, INC. THESE DRAWINGS AND THE DESIGNS DEPICTED HEREIN ARE THE PROPRIETARY PROPERTY OF BRASSTECH. ANY USE OR REPRODUCTION IS SUBJECT TO THE EXPRESS APPROVAL OF BRASSTECH. UNAUTHORIZED USE IS STRICTLY PROHIBITED. ALL RIGHTS RESERVED.

BRASSTECH		2001 CARNEGIE AVE. SANTA ANA, CA 92705 (949) 417-5207	
DWG NO.	2500-5623	REV	C
SCALE	.375	REF.	-
		SHEET	2 OF 2