




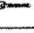
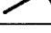

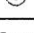
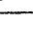
# Assembly Instruction

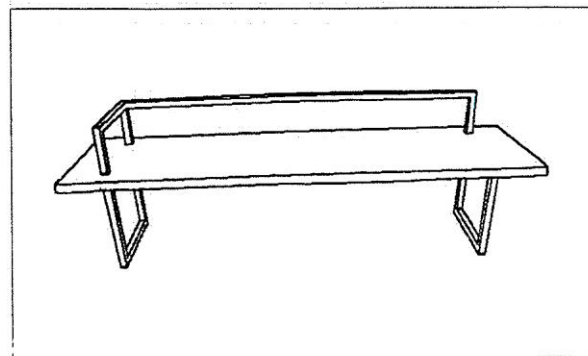
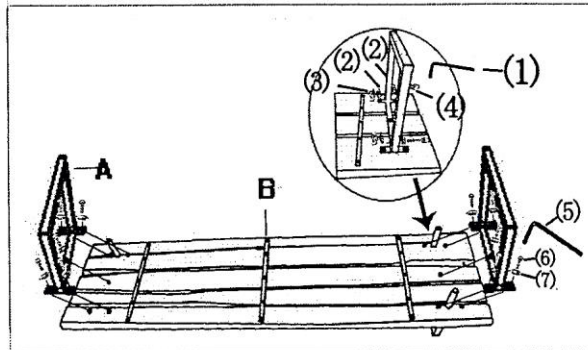
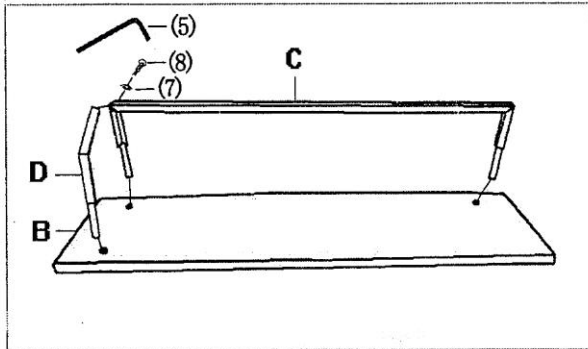
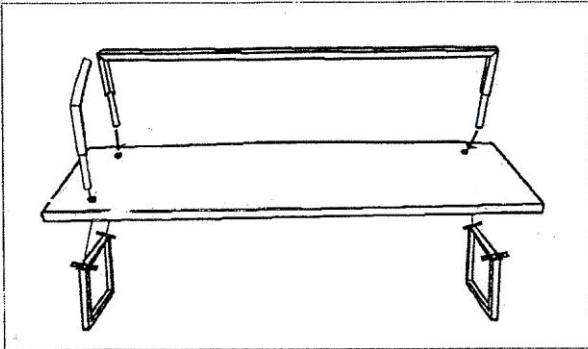
## STYLE:24701

### Parts list

A	LEGS	2PCS
B	MAIN PART	1PCS
C	BACKREST	1PCS
D	ARMREST	1PCS

### Hardware list

	WRENCH $\varnothing 6$	(1)	1PCS
	FLAT WASHERS $\varnothing 6$	(2)	6 PCS
	FLAT WASHERS $\varnothing 6$	(3)	3PCS
	SCREW $\varnothing 6 \times 45$	(4)	3PCS
	WRENCH $\varnothing 8$	(5)	1PCS
	SCREW $\varnothing 8 \times 25$	(6)	10PCS
	FLAT WASHERS $\varnothing 8$	(7)	11PCS
	SCREW $\varnothing 8 \times 50$	(8)	1PCS



1. Take the parts carefully out of the carton and then place them on a flat and soft surface, making sure that the parts will not be damaged.

2. Place the main part on a flat and soft surface, put the backrest and armrest tube into the holes on the top of the seat. Then screw the backrest into the screw hole on the armrest and use the wrench to secure tightly.

3. Turn the seat over and connect the 2pcs legs into the backrest/armrest tube at the bottom of the seat, then screw the legs into the screw holes under the bottom of the seat and use the wrench to secure tightly.

4. The assembly is completed.

To clean, wipe with soft dry cloth.