

4

3

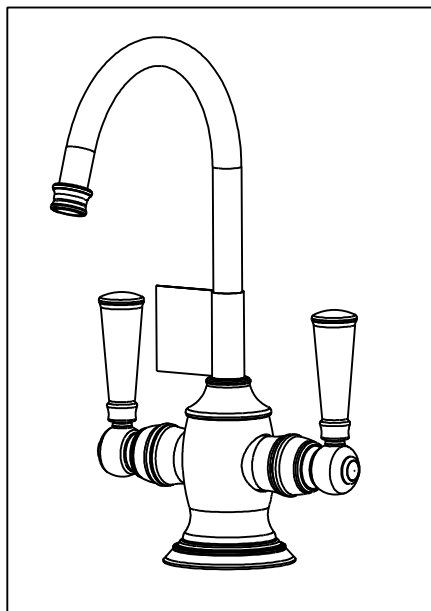
2

1

NOTES:

- (N1) 1. FIT / FORM / FUNCTION SHALL FOLLOW PS-E.008.
- 2 APPLY LOCTITE 680.
- 3 CUT AND SHORTEN O-RING BY .13" TO .20" IN LENGTH BEFORE INSTALLING.
- 4 SLIT O-RING BEFORE INSTALLING.
- 5 APPLY LOCTITE 242.
- (N6) 6 CONNECT WHITE AND RED TUBINGS TOGETHER AND WATER TEST WHOLE UNIT.
- 7 BAG 5-035 IN A SEPARATE BAG.
- (N8) 8 REWORK CARTRIDGE ASSY IF THE HANDLE DOES NOT RETURN TO THE 'OFF' POSITION AUTOMATICALLY AFTER WATER TESTING.
- 9 INSTALLATION TORQUE: 8-14 LB-FT.
- 10 INSTALLATION TORQUE: 30 LB-FT.
- 11 LUBRICATE SPRING WITH DOW CORNING III SILICONE COMPOUND.
- 12 PRE-CRIMPED THESE PARTS TOGETHER. SEE INSTALLATION INSTRUCTION.
- 13 APPLY LIGHT FILM OF DOW CORNING III SILICONE COMPOUND.

**14 INSTALLATION TORQUE 10-14 LB-IN**



BILL OF MATERIAL (CURRENT LEVEL)

ITEM	PT/ASSY	DESCRIPTION	TYPE	QTY.
1	1-134	CARTR 3/8 HOT 1/4 TR	PART	1
2	5-035	COUPLING & INSERT ASM	ASSEMBLY	1
3	5-061	ADAPTER/CARTRIDGE ASSY	ASSEMBLY	1
4	10174	NUT, QUICK CONNECT	PART	1
5	11728	LEVER, HANDLE	PART	2
6	11731	ESCUTCHEON	PART	1
7	11732	CAP, BODY, WATER DISP	PART	1
8	11733	SHELL, SPOUT, WATER DISP	PART	1
9	11734	BONNET	PART	2
10	11834	ADAPTER	PART	1
11	11836	RETAINING RING	PART	1
12	12747	BODY HANDLE	PART	2
13	50066	COMPRESSION RING, 1/2	PART	3
14	50068	INSERT, HOSE	PART	3
15	50713	SPOUT, WATER DISP. (TRAD.)	PART	1
16	50714	WATER DISP. CAR.T HOLDER	PART	2
17	50744	WATER DISP. BODY H/C (TRAD)	PART	1
18	50768	RETAINER PLATE	PART	1
19	50770	NIPPLE	PART	1
20	91017	O-RING, #2- 012, EPDM, 65-75 DURO, NSF 61	PART	2
21	91023	O-RING, #2- 019, EPDM, 65-75 DURO, NSF 61	PART	1
22	91100	O-RING, #2-006, EPDM, 65-75 DURO	PART	3
23	91376	TUBE, RED, .250 OD X 4 FT	PART	1
24	91377	TUBE, BLUE, .250 OD X 4 FT	PART	1
25	91378	TUBE, HIGH TEMP, .250 OD X 4 FT	PART	1
26	91382	O-RING, #2- 012, TEFLON,	PART	1
27	91383	O-RING, #2- 014, TEFLON, NSF 61	PART	1
28	91394	O-RING, #2-132, EPDM, 65-75 DURO	PART	1
29	91553	RED IDENTIFIER	PART	1
30	91648	BLUE IDENTIFIER	PART	1
31	92016	SCRW, 10-24 X 3/4 SKT HD FLT PT SS	PART	2
32	92192	SCRW, 10-32 X 5/8 SKT HD CUP PT SS	PART	2
33	92477	SCRW, M4 X 16 SKT FLT HD SS	PART	1
34	98043	TAG LABEL, HOT WATER WARNING	PART	1

D

D

C

C

B

B

A

A

-	C	EN-3312	05/15/17	J.A
-	B	EN-3272	02/28/17	N.S.
-	A	EN-2601	10/10/13	-
-	-	EN-2576	08/02/13	-
ZONE	REV	DESCRIPTION	DATE	APPROVED

COPYRIGHT 2005 BRASSTECH, INC. THESE DRAWINGS AND THE DESIGNS DEPICTED HEREIN ARE THE PROPRIETARY PROPERTY OF BRASSTECH. ANY USE OR REPRODUCTION IS SUBJECT TO THE EXPRESS APPROVAL OF BRASSTECH. UNAUTHORIZED USE IS STRICTLY PROHIBITED. ALL RIGHTS RESERVED.

TESTING	-	-	-
ASSEMBLY	-	-	-
PLATING	-	-	-
POLISHING	-	NEXT ASSY	USED ON
MACHINING	-	APPLICATION	
TOOLING	FIXTURE #	REMOVE ALL BURRS AND SHARP EDGES	

UNITS ARE: INCHES [MM]  
TOLERANCES ARE:  
FRACTIONS DECIMALS ANGLES  
±1/16" .X ±.1 [2,5] ±1°  
.XX ±.06 [1,3]

(X.XXX) DENOTES CRITICAL DIMS.  
ALL THREADS ARE CRITICAL

DRAWN	AMARISH	05/15/17
CHECKED	RAVINDRA	05/15/17
APPROVED	J.A	05/15/17

**BRASSTECH** 2001 CARNEGIE AVE.  
INCORPORATED SANTA ANA, CA 92705  
(949) 417-5207

H & C WATER DISPENSER

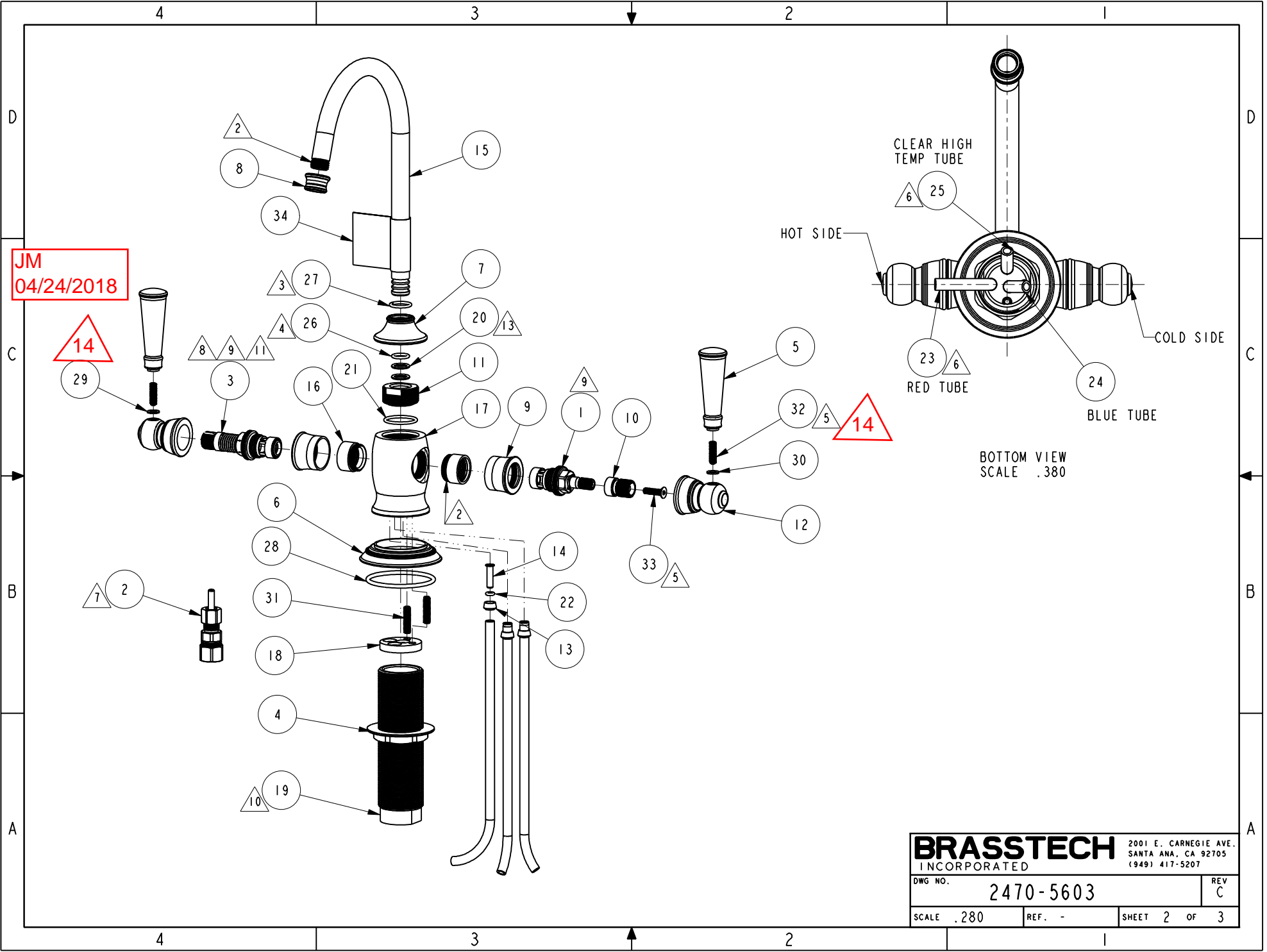
DWG NO.	2470-5603	REV	C
SCALE	.300	REF.	-
SHEET	1	OF	3

4

3

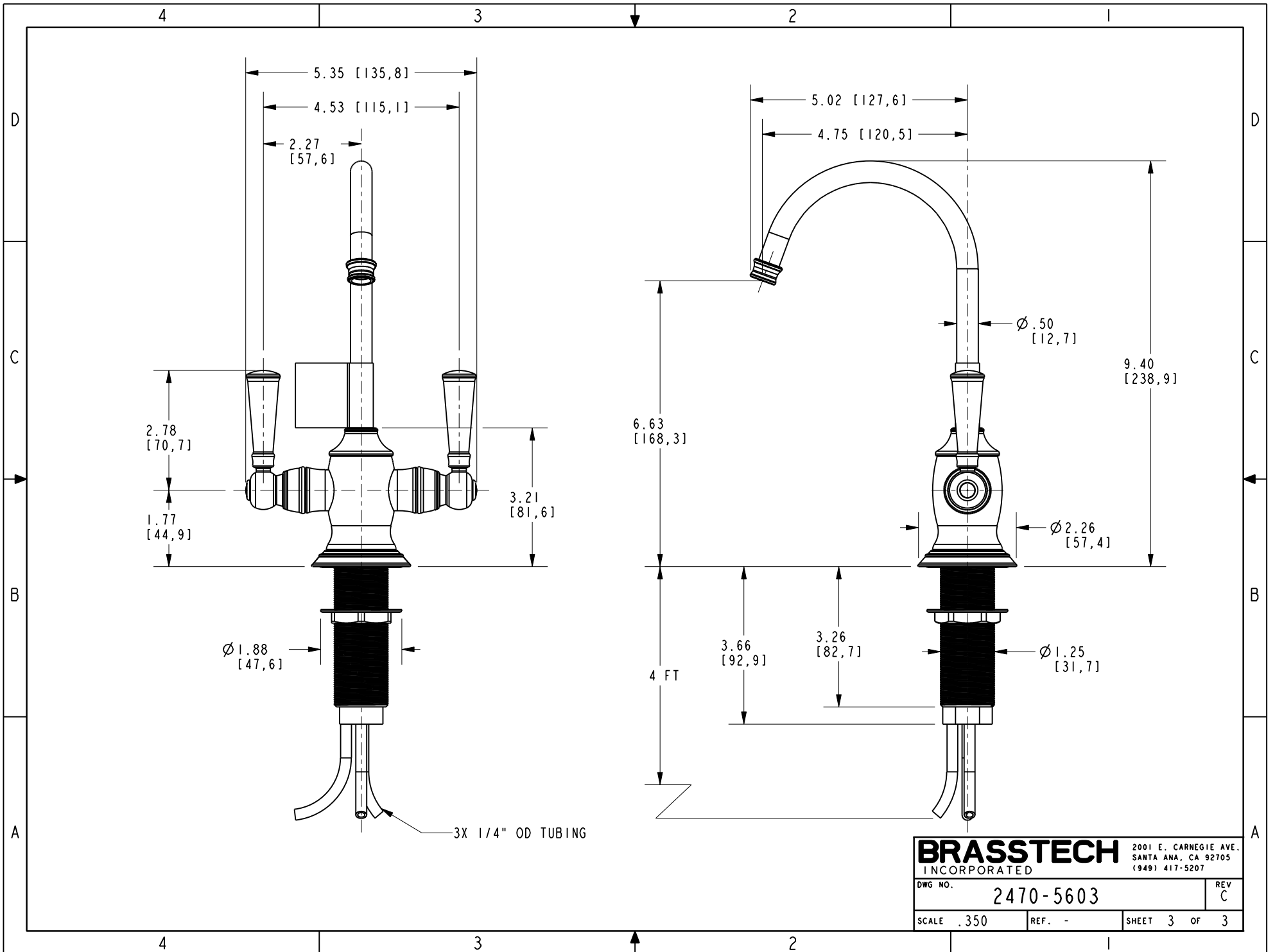
2

1



JM  
04/24/2018

<b>BRASSTECH</b>		2001 E. CARNEGIE AVE.
INCORPORATED		SANTA ANA, CA 92705
		(949) 417-5207
DWG NO.	2470-5603	REV C
SCALE .280	REF. -	SHEET 2 OF 3



<b>BRASSTECH</b>		2001 E. CARNEGIE AVE.	
INCORPORATED		SANTA ANA, CA 92705	
		(949) 417-5207	
DWG NO.	2470-5603	REV	C
SCALE	.350	REF.	-
		SHEET	3 OF 3