



UTTERMOST

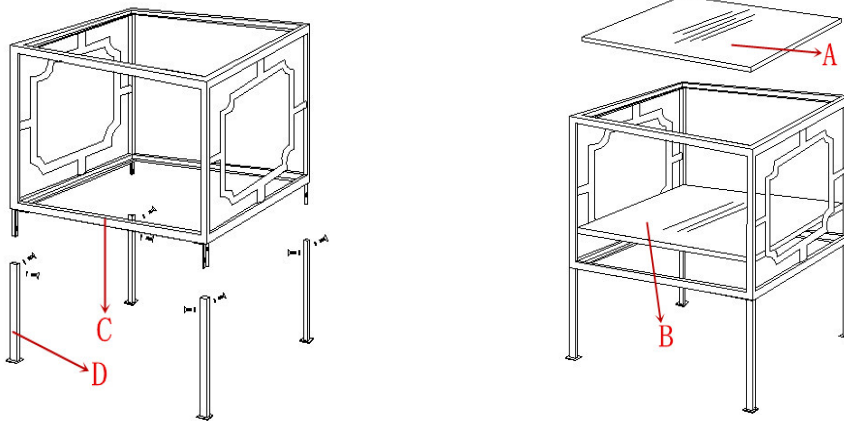
Assembly Instruction

Item :24477

Parts/Hardware list

A	Glass Top(Lg)	1PC	C	2Tiered Shelf	1PC
B	Glass Top(Sm)	1PC	D	Legs	4PCS
E	Screws	10PCS			

1. Take the parts carefully out of the carton, and place them on a flat and soft surface, making sure that the parts will not be damaged.
2. Assemble 2Tiered Shelf (C) and Legs(D) using screws.
3. Carefully and separately place the Glass Top (Lg)(A) to top shelf and Glass Top (Sm) (B) to bottom shelf.



5. Softly clean & wipe with dry cloth.

