



UTTERMOST

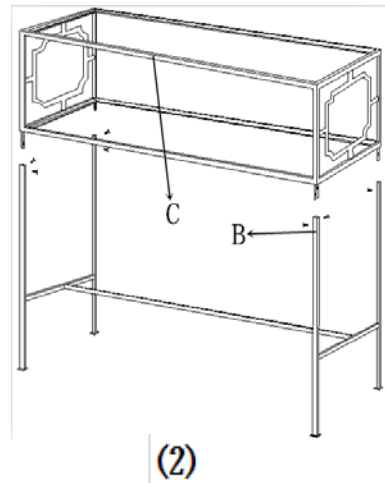
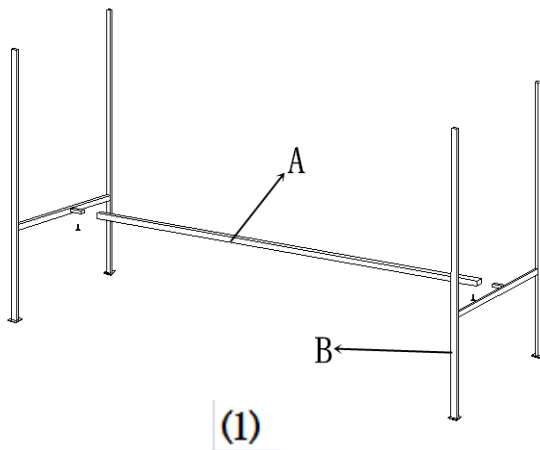
Assembly Instruction

Item 24335

Parts/Hardware list

A	Mid.bar	1PC	D	Glass	2PCS
B	Side Legs	2PCS	E	Felt pad	4PCS
C	2 Layer Shelf	1 PC	F	Screws	10PCS

1. Take the parts carefully out of the carton, and place them on a flat and soft surface, making sure that the parts will not be damaged.
2. Use 2 Screws (F) to assemble the Mid.bar(A) and Side Legs(B) together like below picture (1).
3. Use 8 Screws (F) to assemble the Side Legs(B) and 2 Layer Shelf(C) together like picture (2) .
Make sure color dot near screw holes on 2 Layer Shelf(C) and Side legs(B) match each other.



4. Stick the Felt pad (E) on the bottom feet of Side Legs(B).
5. Carefully place the Glass (D) with round corner on lower shelf, another Glass (D) on top shelf as show in below picture.
6. Softly clean & wipe with dry cloth.

