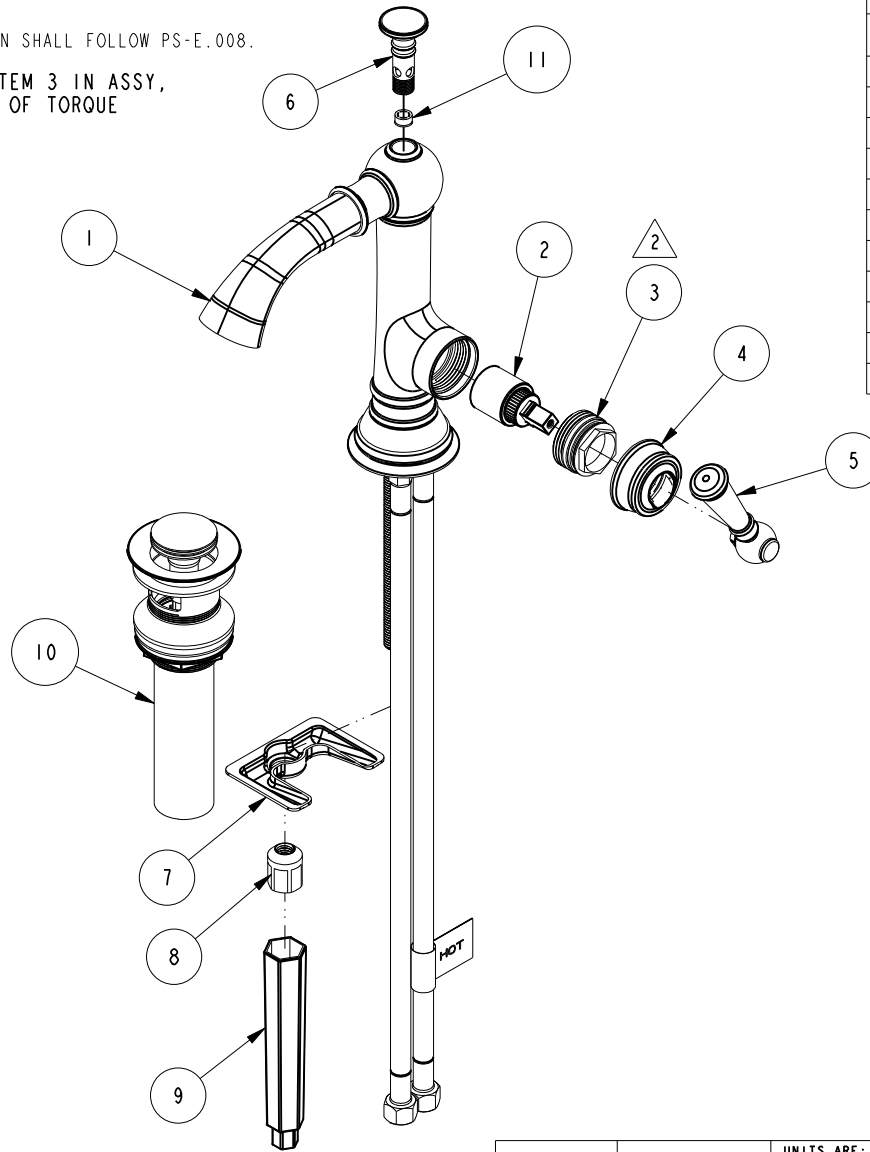


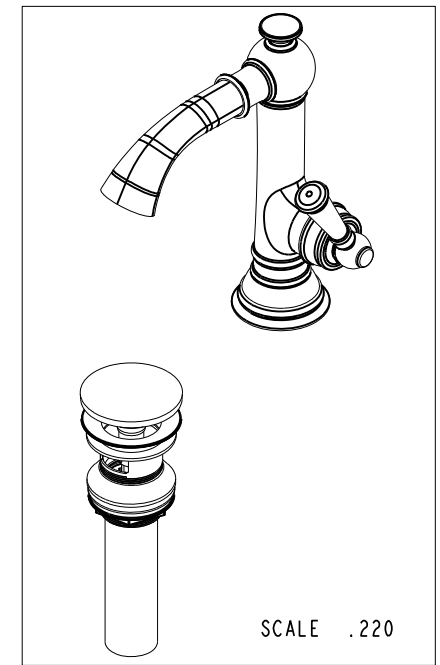
NOTES:

- (NI) 1. FIT / FORM / FUNCTION SHALL FOLLOW PS-E.008.
 2. WHEN TIGHTENING ITEM 3 IN ASSY, APPLY 50-60 LB-IN OF TORQUE



BILL OF MATERIAL (CURRENT LEVEL)

ITEM	PT/ASSY	DESCRIPTION	TYPE	QTY.
1	2-820	SPOUT BODY ASM	ASSEMBLY	1
2	1-242	CARTRIDGE 25 MM KCG K025a	PART	1
3	1-274	CARTRIDGE RETAINER ASM	ASSEMBLY	1
4	2-831	CARTRIDGE BONNET ASM	ASSEMBLY	1
5	2-832	LEVER ASM	ASSEMBLY	2
6	2-833	FINIAL ASM	ASSEMBLY	1
7	11280	MOUNTING BRACKET	PART	1
8	11285	MOUNTING NUT	PART	1
9	92297	INSTALLATION TOOL, WRENCH	PART	1
10	330	DRAIN, PUSH DOWN, W/ OVERFLOW	ASSEMBLY	1
11	12400	FLOW REGULATOR, 1.2 GPM, PINK	PART	1



ZONE	REV	DESCRIPTION	DATE	APPROVED
-	C	EN-3718	09/28/18	C.G.
-	B	EN-2896d	06/22/16	V.V.
-	A	EN-2643	01/15/16	J.M
-	-	EN-1883	04/11/12	-

COPYRIGHT 2005 BRASSTECH, INC. THESE DRAWINGS AND THE DESIGNS DEPICTED HEREIN ARE THE PROPRIETARY PROPERTY OF BRASSTECH. ANY USE OR REPRODUCTION IS SUBJECT TO THE EXPRESS APPROVAL OF BRASSTECH. UNAUTHORIZED USE IS STRICTLY PROHIBITED. ALL RIGHTS RESERVED.

TESTING	-	-	-
ASSEMBLY	-	-	-
PLATING	-	-	-
POLISHING	-	NEXT ASSY	USED ON
MACHINING	-	APPLICATION	
TOOLING FIXTURE #	REMOVE ALL BURRS AND SHARP EDGES		

UNITS ARE: INCHES [MM]
 TOLERANCES ARE:
 FRACTIONS DECIMALS ANGLES
 ±1/16" .X ±.1 (2.5) ±1°
 .XX ±.06 (1.5)

(X.XXX) DENOTES CRITICAL DIMS.
 ALL THREADS ARE CRITICAL

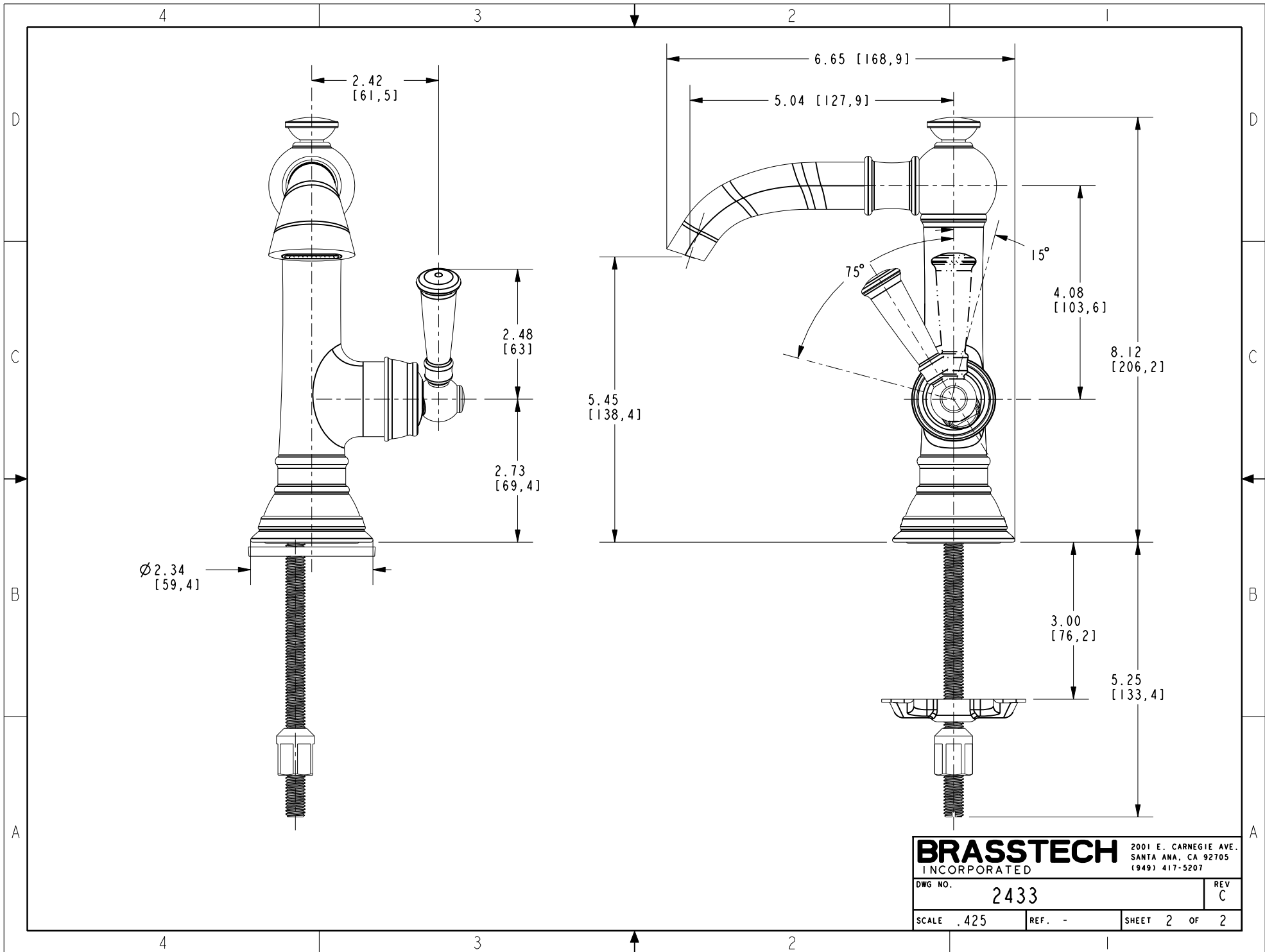
DRAWN	AMARISH	12/22/15
CHECKED	RAVINDRA	12/22/15
APPROVED	J.M	01/15/16

BRASSTECH INCORPORATED
 2001 CARNEGIE AVE.
 SANTA ANA, CA 92705
 (949) 417-5207

SINGLE HOLE LAV FAUCET

DWG NO. **2433** REV **C**

SCALE .250 REF. - SHEET 1 OF 2



BRASSTECH		2001 E. CARNEGIE AVE. SANTA ANA, CA 92705 (949) 417-5207	
INCORPORATED			
DWG NO.	2433	REV C	
SCALE .425	REF. -	SHEET 2 OF 2	