



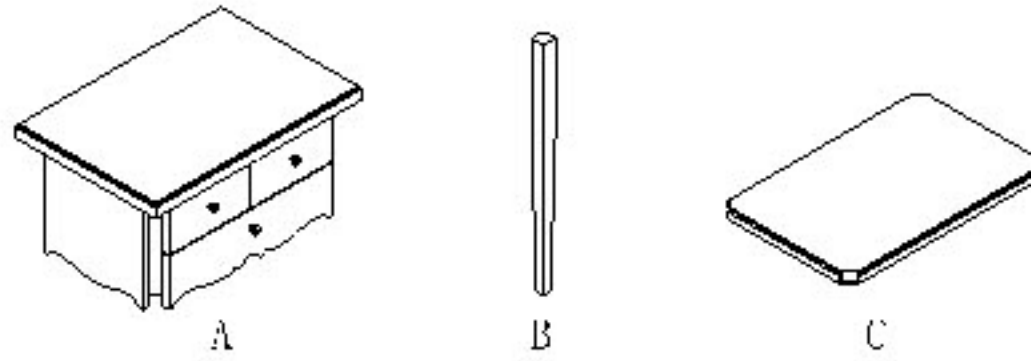
UTTERMOST

Assembly Instruction

ITEM#24140

Component List:

- A. Table Top.....1pc
- B. Leg.....4pc
- C. Bottom panel.....1pc

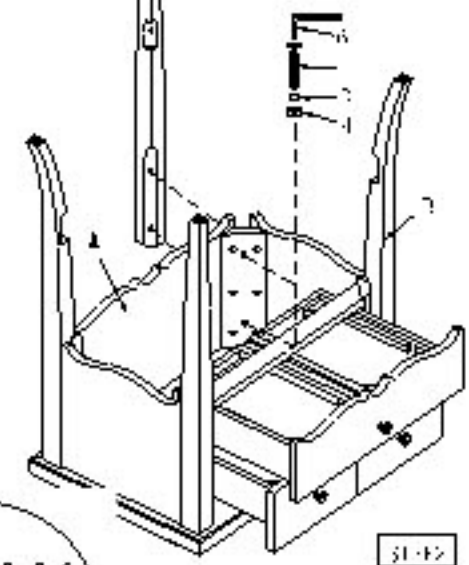


Hardware List:

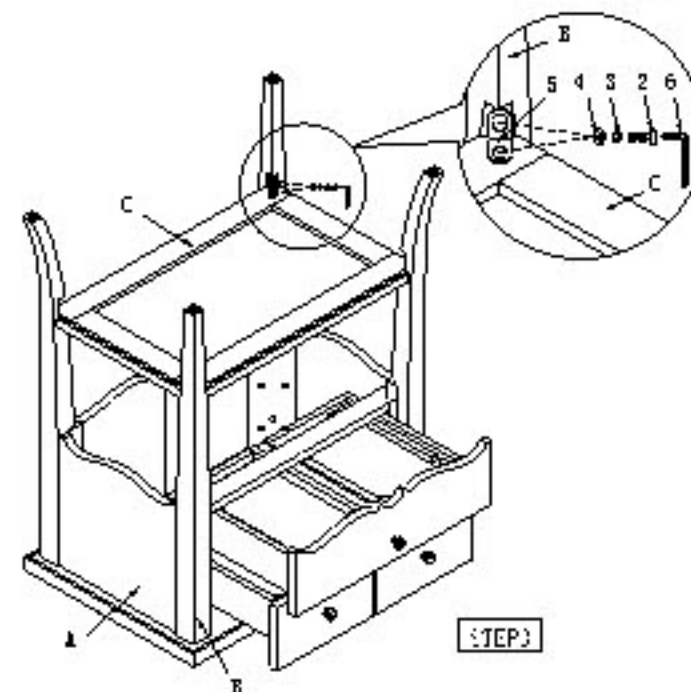
- 1. Bolt(Long).....8pcs
- 2. Bolt(Short).....8pcs
- 3. Spring Washer.....16pcs
- 4. Flat Washer.....16pcs
- 5. Bracket.....4pcs
- 6. Allen Wrench.....1pc



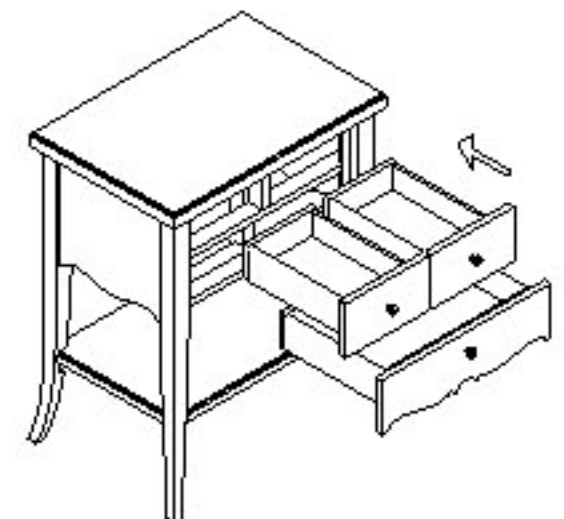
Step1. Put the Table Top(A) on a soft, clean place as shown.



Step2. Connect the Leg(B) and Table top(A), but don't tighten yet.



Step3. Connect the Bottom panel(C) and Leg(B) as shown.



Step4. Tighten all the bolts. Turn the table upright.



Assembly is complete now.
Thank you for your purchase.