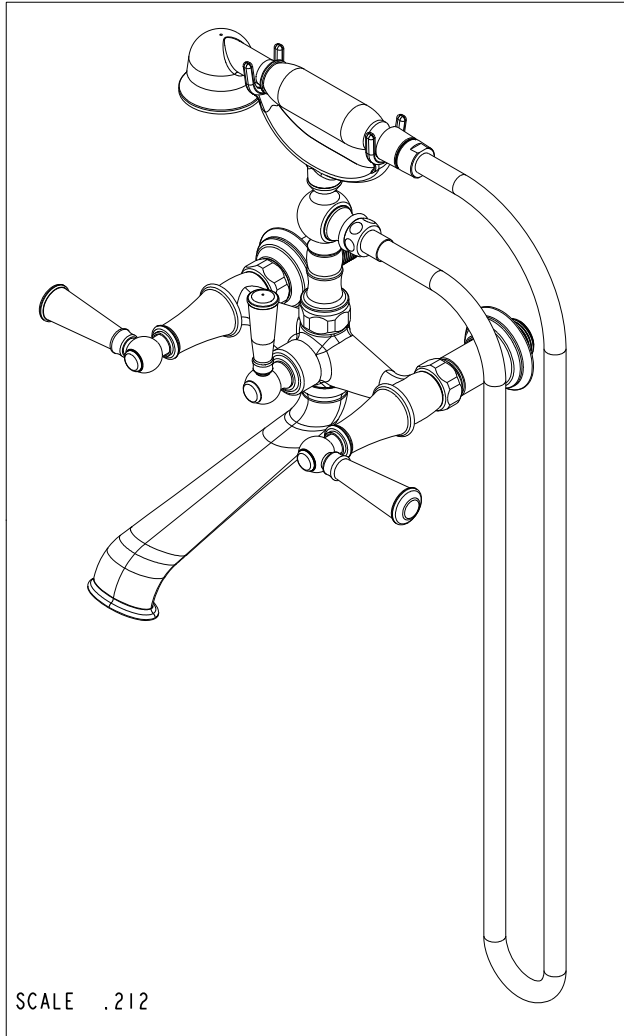


NOTES:

(N1) 1. FIT / FORM / FUNCTION SHALL FOLLOW PS-E.008.



SCALE .212

BILL OF MATERIAL (CURRENT LEVEL)

ITEM	PT/ASSY	DESCRIPTION	TYPE	QTY.
1	10326	BODY - FOR 933,934	PART	1
2	2-220	RISER ASM	ASSEMBLY	1
3	10442	SEAT FOR CARTRIDGE	PART	2
4	1-326	W/S CARTRIDGE FRICTION - HOT	PART	1
5	1-325	W/S CARTRIDGE FRICTION - COLD	PART	1
6	12066	HANDLE BONNET - TUB FILLER	PART	2
7	12062	ADAPTER - 20-T X 16-T	PART	2
8	91039	WSHR, .625 ID X 1.00 OD X .125 THK, RUBBER	PART	2
9	12458	NIPPLE 3/4 X 2.8"	PART	2
10	281	HANDSHOWER ASM	ASSEMBLY	1
11	284_	59 IN. SPIRAL SHOWER HOSE	ASSEMBLY	1
12	12585	SPOUT	PART	1
13	91028	O-RING, #2- 113, EPDM, 65-75 DURO, NSF 61	PART	1
14	1-076	CARTRIDGE DIVERTER ASM	ASSEMBLY	1
15	1-048	DIVERTER STOPPER ASM	ASSEMBLY	1
16	2-848	C/S HANDLE BAR ASM	ASSEMBLY	1
17	91020	O-RING, #2-016, EPDM, 65-75 DURO, NSF 61	PART	2
18	10332	HEX NUT	PART	2
19	2-934	FLANGE ASM	ASSEMBLY	2
20	2-948	LEVER HANDLE ASSY	ASSEMBLY	2
21	92538	SCRW, M4 X 25 SKT BUTTON FLANGE HD CAP BLACK-OXIDE	PART	2
22	10159	HEX KEY, 3/32 ALLOY STEEL	PART	1

-	C	EN-3150a	05/18/17	J.M.
-	B	EN-2947a	09/15/16	J.M.
-	A	EN-2818	11/20/14	-
-	-	EN-2606	04/14/14	-
ZONE	REV	DESCRIPTION	DATE	APPROVED

COPYRIGHT 2005 BRASSTECH, INC. THESE DRAWINGS AND THE DESIGNS DEPICTED HEREIN ARE THE PROPRIETARY PROPERTY OF BRASSTECH. ANY USE OR REPRODUCTION IS SUBJECT TO THE EXPRESS APPROVAL OF BRASSTECH. UNAUTHORIZED USE IS STRICTLY PROHIBITED. ALL RIGHTS RESERVED.

TESTING	-	-	-
ASSEMBLY	-	-	-
PLATING	-	-	-
POLISHING	-	NEXT ASSY	USED ON
MACHINING	-	APPLICATION	
TOOLING	FIXTURE #	REMOVE ALL BURRS AND SHARP EDGES	

UNITS ARE: INCHES [MM]  
TOLERANCES ARE:  
FRACTIONS DECIMALS ANGLES  
±1/16" .X ±.1 [2.5] ±1°  
.XX ±.06 [1.5]

(X.XXX) DENOTES CRITICAL DIMS.  
ALL THREADS ARE CRITICAL

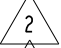

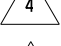
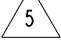
**BRASSTECH** 2001 CARNEGIE AVE.  
INCORPORATED SANTA ANA, CA 92705  
(949) 417-5207

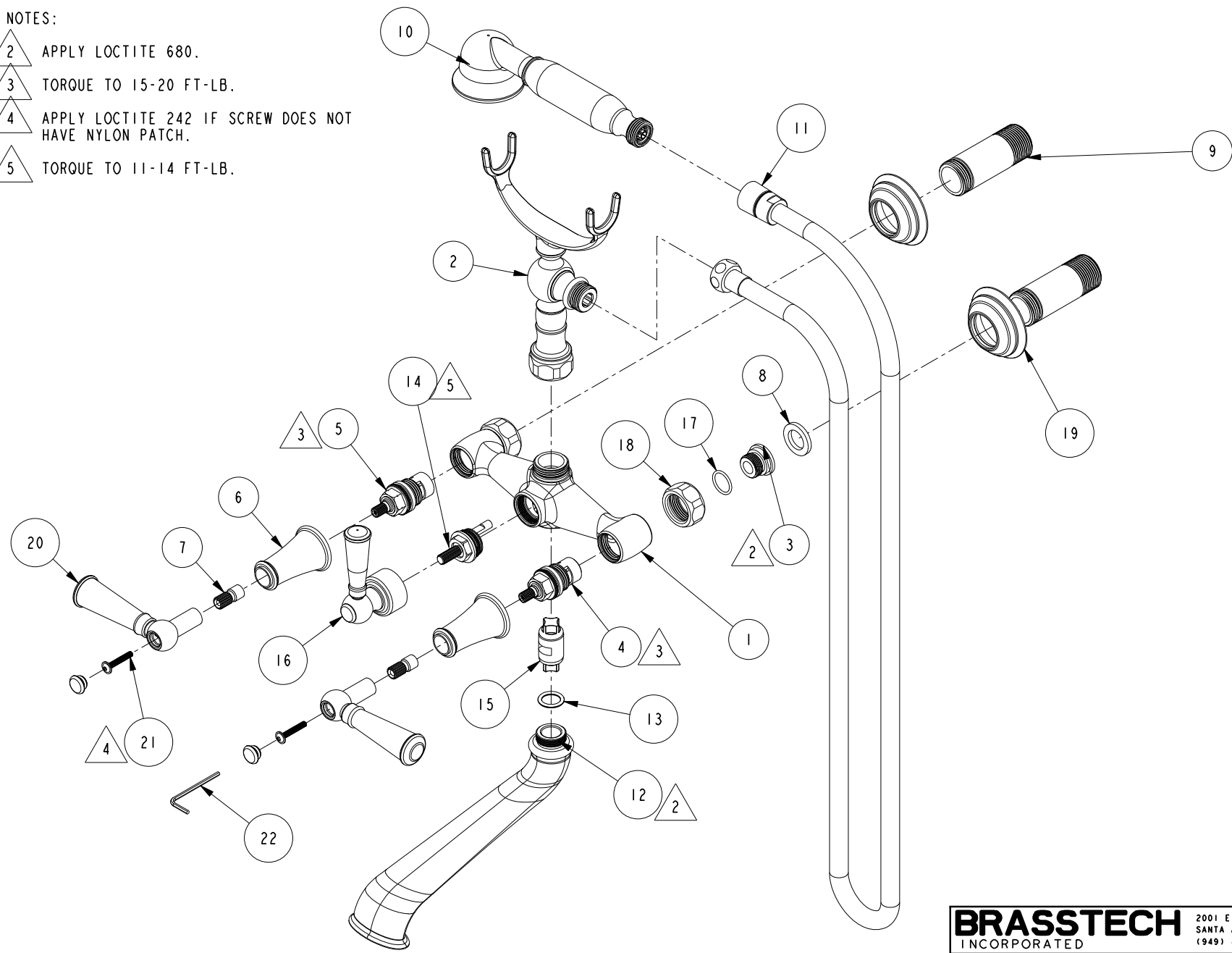
EXPOSED TUB/ HANDSHOWER,  
WALL MOUNT - LEVER HANDLE

DWG NO. 2400-4283

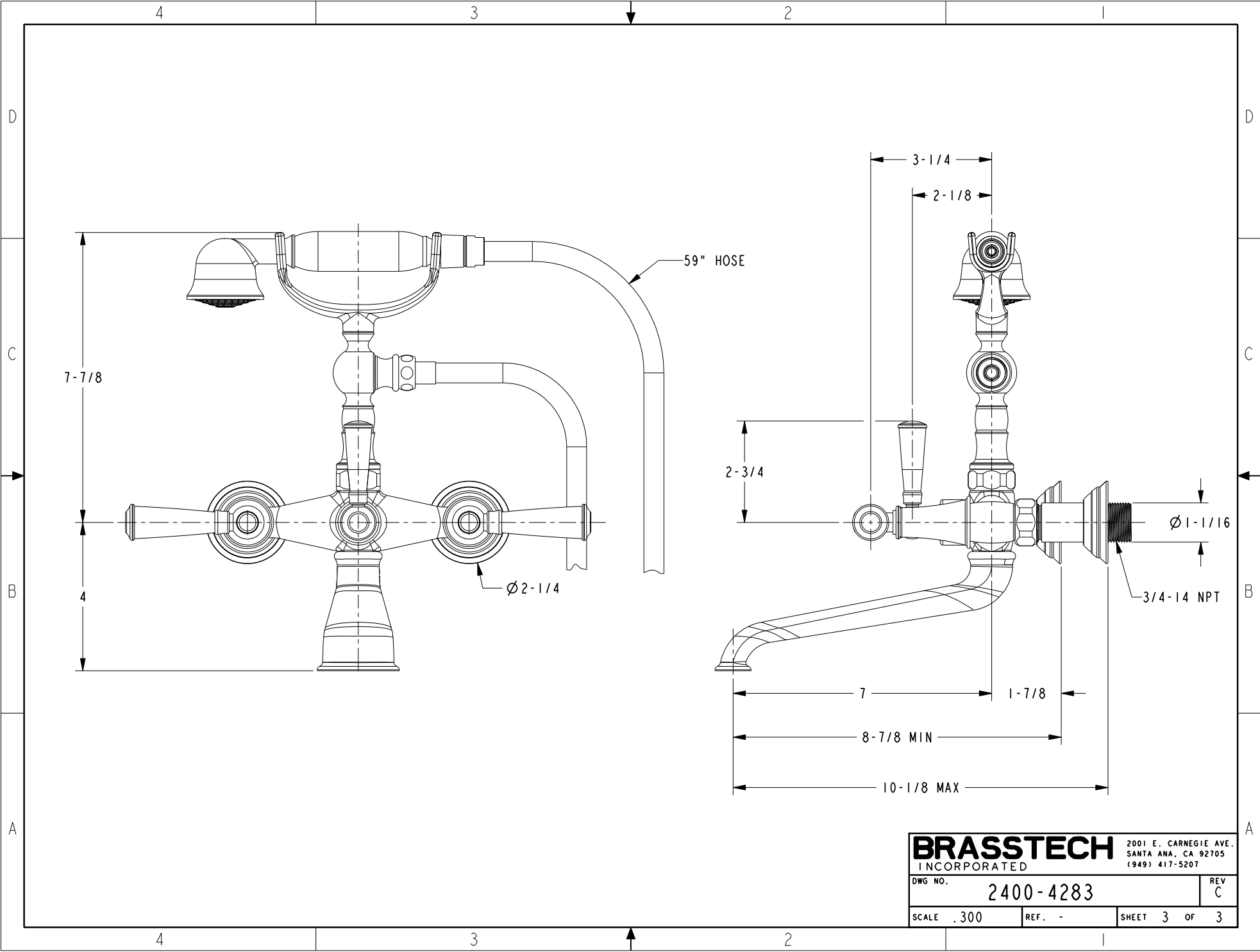
SCALE .212 REF. - SHEET 1 OF 3

NOTES:

- (N2)  2 APPLY LOCTITE 680.
- (N3)  3 TORQUE TO 15-20 FT-LB.
- (N4)  4 APPLY LOCTITE 242 IF SCREW DOES NOT HAVE NYLON PATCH.
- (N5)  5 TORQUE TO 11-14 FT-LB.



<b>BRASSTECH</b>		2001 E. CARNEGIE AVE.
INCORPORATED		SANTA ANA, CA 92705
		(949) 417-5207
DWG NO.	2400-4283	REV C
SCALE .250	REF. -	SHEET 2 OF 3



<b>BRASSTECH</b>		2001 E. CARNEGIE AVE.	
INCORPORATED		SANTA ANA, CA 92705	
		(949) 417-5207	
DWG NO.	2400-4283	REV	C
SCALE	.300	REF.	-
		SHEET	3 OF 3