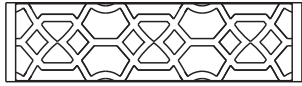


# CRYSTORAMA

1958

95 Cantiague Rock Road, Westbury NY 11590  
 ph: 516.931.9090 fax: 516.931.1254  
[info@crystorama.com](mailto:info@crystorama.com) [www.crystorama.com](http://www.crystorama.com)

**MODEL#: 2264-PN-LED**  
**ASSEMBLY AND DRESSING INSTRUCTIONS**



It can be mounted both vertically and horizontally.

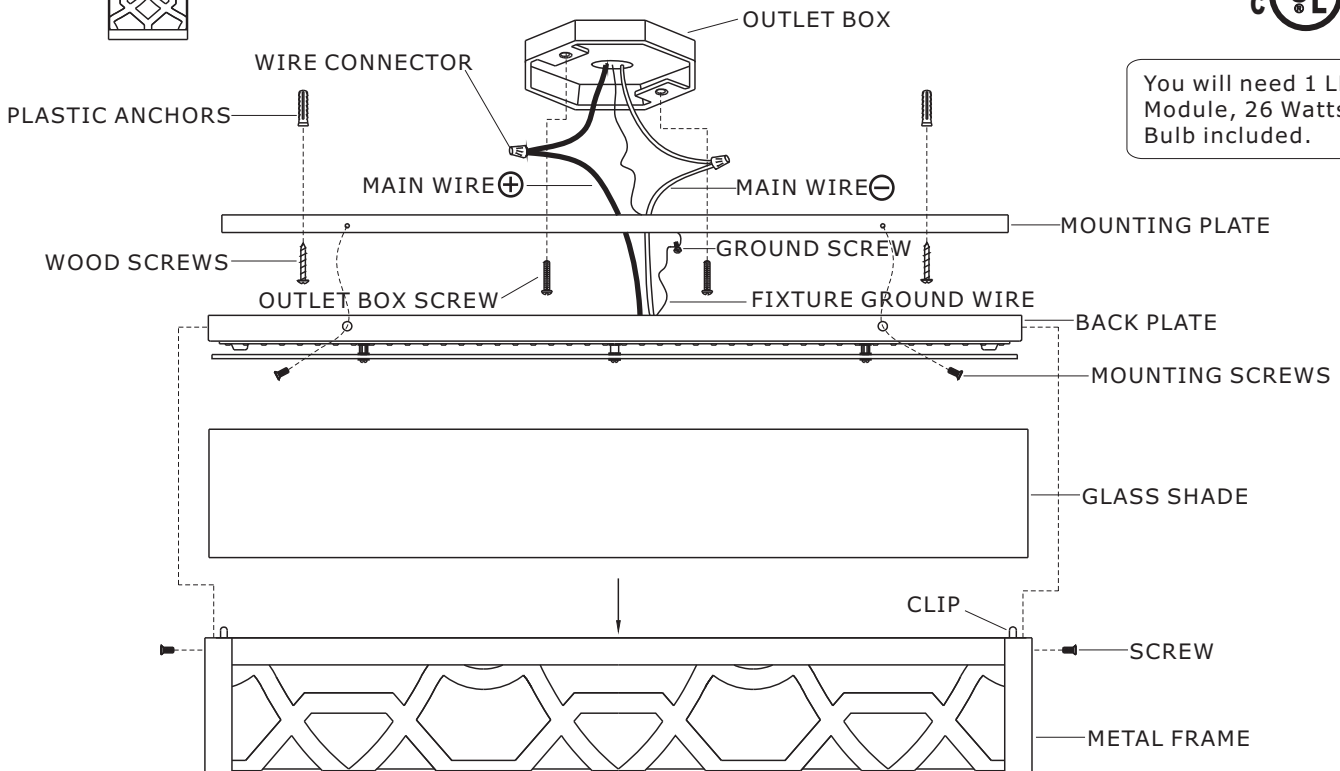
**WARNING:**

Electrical Danger Turn Power off

All electrical components must be installed by a licensed electrician in accordance with the National Electric Code and the appropriate local electrical codes.



You will need 1 LED Module, 26 Watts Bulb included.



Place the glass shade inside the metal frame and secure it with the clips.

