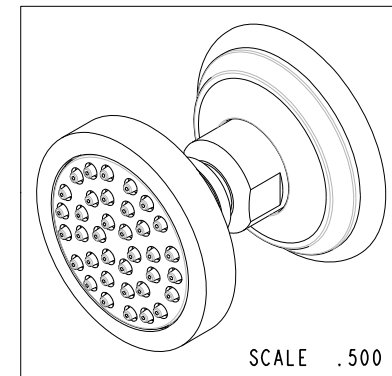
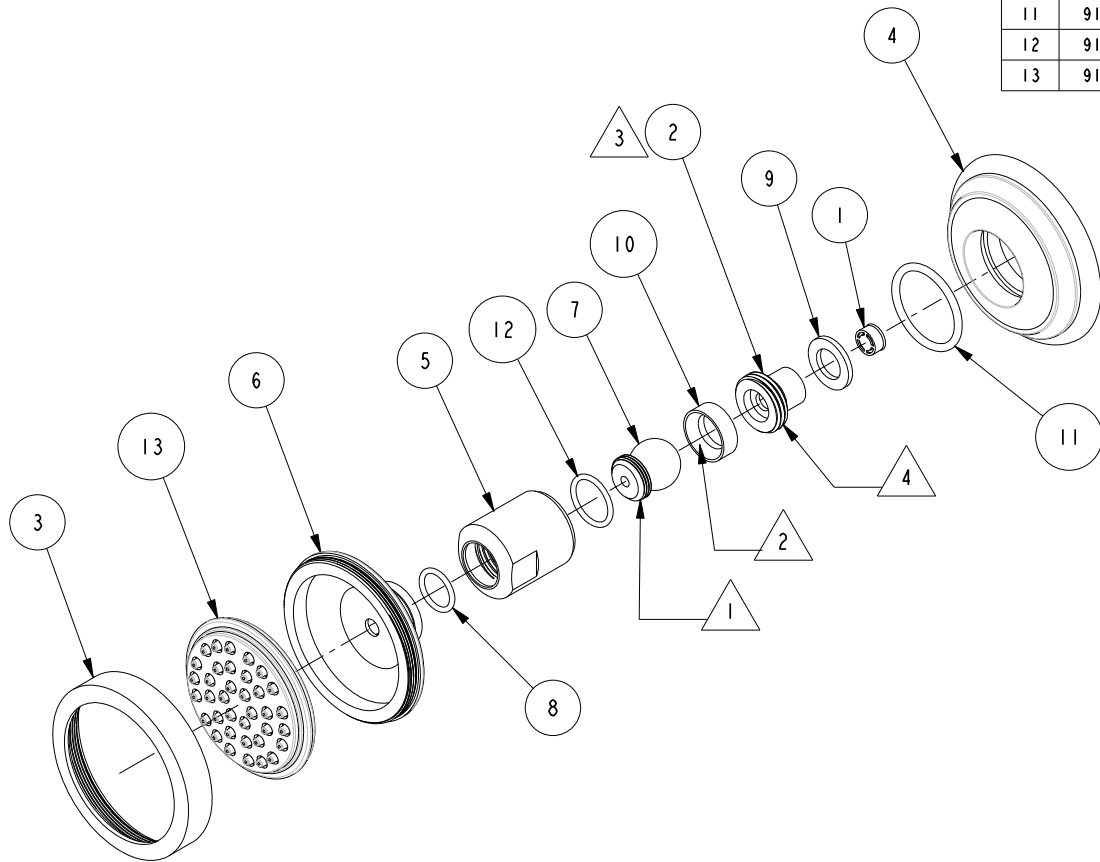


NOTES:

- 1. APPLY ADHESIVE LOCTITE 680 OR EQUIVALENT.
- 2. APPLY LIGHT FILM OF SUPPER LUBE GREASE OR EQUIVALENT.
- 3. USE A 17 LB/IN TORQUE TO INSTALL.
- 4. APPLY LOCTITE 242.

BILL OF MATERIAL (CURRENT LEVEL)

ITEM	PT/ASSY	DESCRIPTION	TYPE	QTY.
1	11599	FLOW REGULATOR, 1.75 GPM, LIGHT BLUE	PART	1
2	11688	BODY SPRAY RETAINER	PART	1
3	11689	BODY SPRAY FACE PLATE	PART	1
4	11690	BODY SPRAY ESCUTCHEON	PART	1
5	11691	BODY SPRAY COLLAR	PART	1
6	11692	BODY SPRAY SHELL	PART	1
7	50199	PIVOT BALL	PART	1
8	91019	O-RING, #2- 014, EPDM, 65-75 DURO, NSF 61	PART	1
9	91153	WSHR, .438 ID X .738 OD X .075 THK, FLT, EPDM	PART	1
10	91160	WSHR, .5 ID X .74 OD X .25 THK, CONCAVED, RUBBER	PART	1
11	91259	O-RING, #2-121, EPDM, 65-75 DURO	PART	1
12	91432	O-RING, #2-016, PTFE, D55 DURO	PART	1
13	91520	JET SPRAY FACE PLATE	PART	1



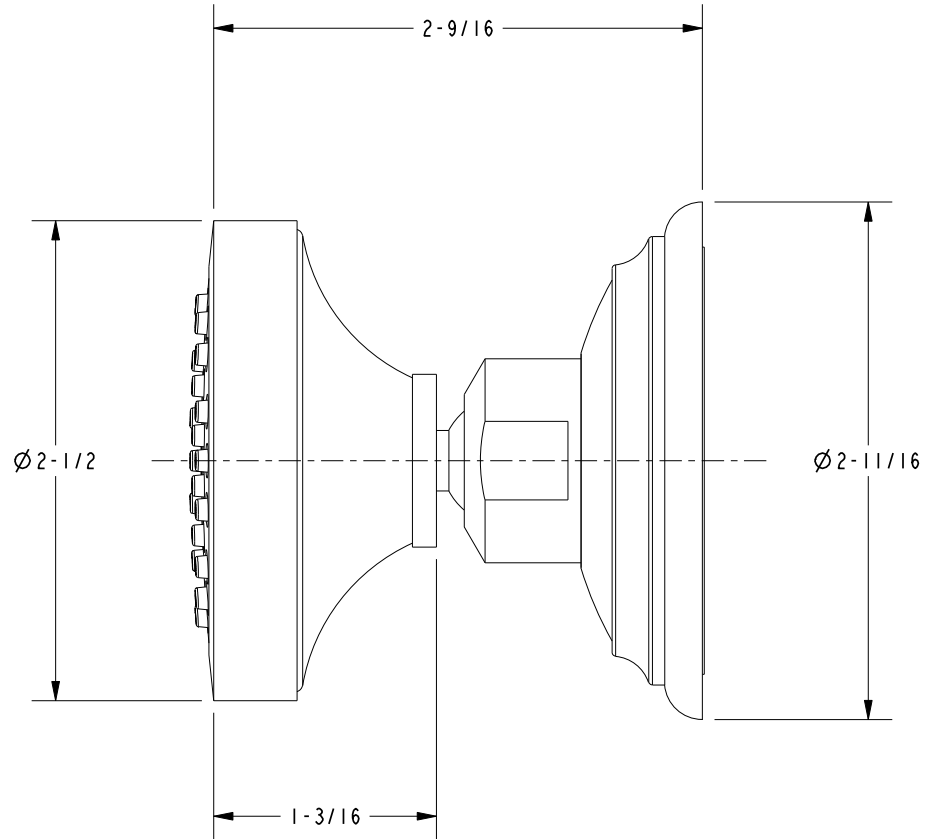
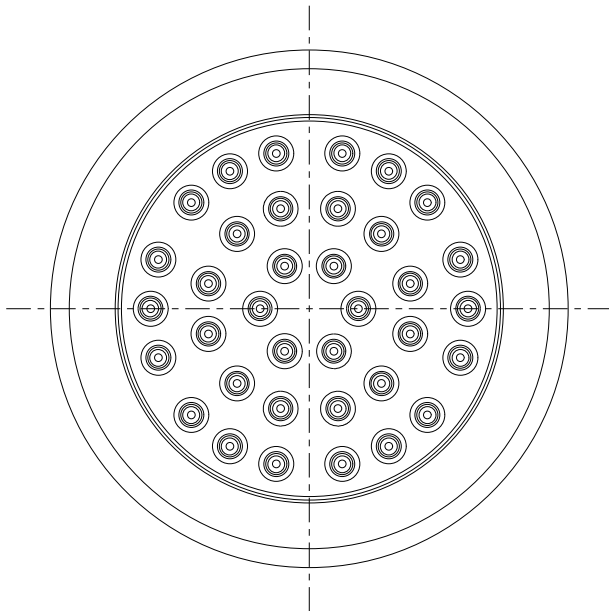
COPYRIGHT 2005 BRASSTECH, INC. THESE DRAWINGS AND THE DESIGNS DEPICTED HEREIN ARE THE PROPRIETARY PROPERTY OF BRASSTECH. ANY USE OR REPRODUCTION IS SUBJECT TO THE EXPRESS APPROVAL OF BRASSTECH. UNAUTHORIZED USE IS STRICTLY PROHIBITED. ALL RIGHTS RESERVED.

BRASSTECH
INCORPORATED
2001 E. CARNEGIE AVE.
SANTA ANA, CA 92705
(949) 417-5207

SHOWER BODY SPRAY - TRAD.

ASSY. NO.	2178		A	EN-2768	06/19/14
SCALE .400	REF. -	SHEET 1 OF 2	-	EN-1421	07/29/10
			REV	REV DESC	DATE

SPECIFICATION DWG



DIMENSIONS ARE IN INCHES AND AN APPROXIMATION OF A TYPICAL INSTALLATION

COPYRIGHT 2005 BRASSTECH, INC. THESE DRAWINGS AND THE DESIGNS DEPICTED HEREIN ARE THE PROPRIETARY PROPERTY OF BRASSTECH. ANY USE OR REPRODUCTION IS SUBJECT TO THE EXPRESS APPROVAL OF BRASSTECH. UNAUTHORIZED USE IS STRICTLY PROHIBITED. ALL RIGHTS RESERVED.

BRASSTECH		2001 CARNEGIE AVE.	
INCORPORATED		SANTA ANA, CA 92705	
		(949) 417-5207	
DWG NO.	2178	REV	A
SCALE	1.000	REF.	-
		SHEET	2 OF 2