

(N1)

NOTES:

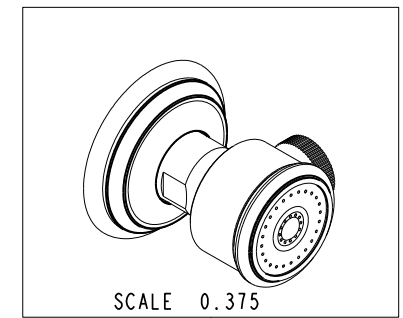
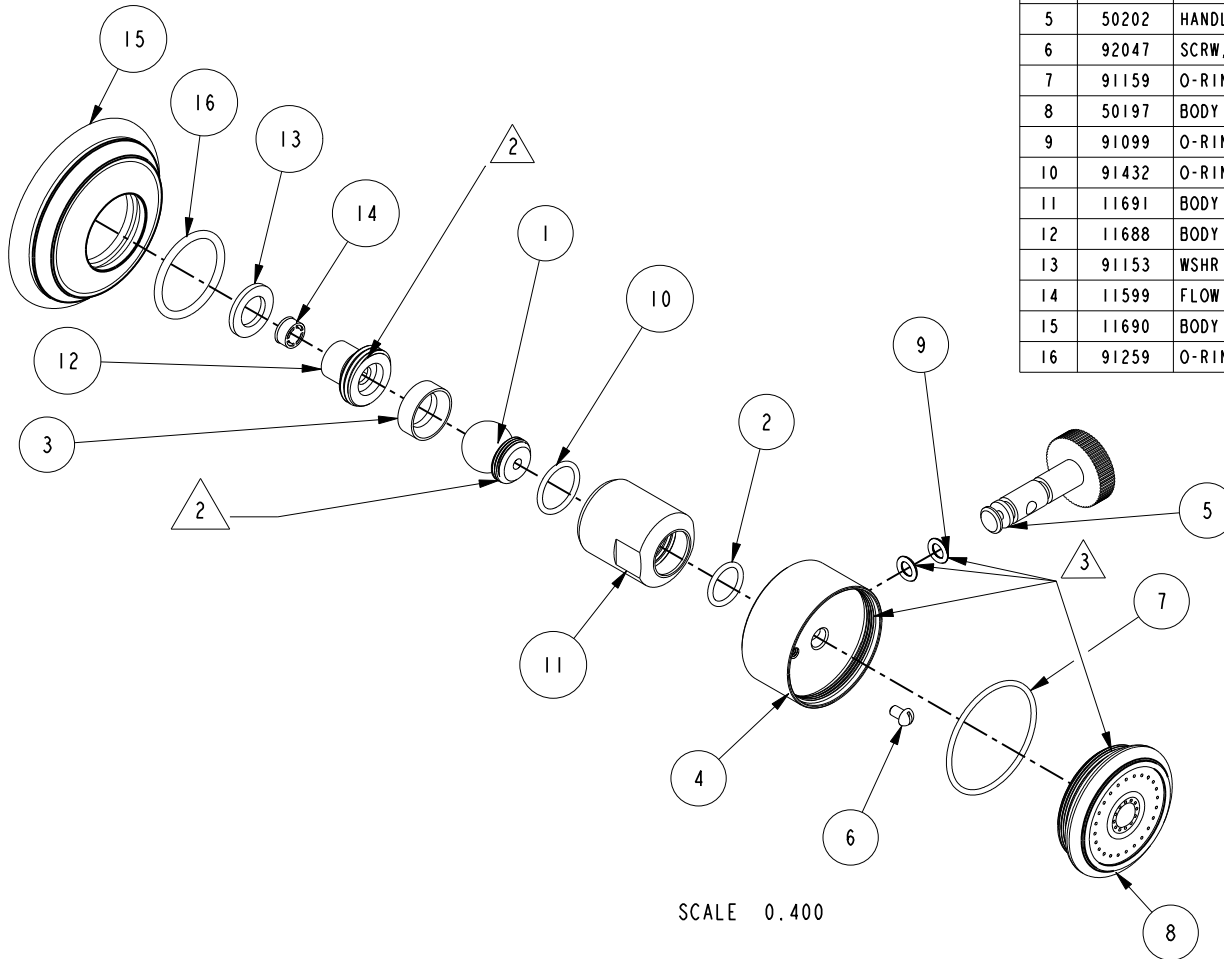
1. FIT / FORM / FUNCTION SHALL FOLLOW PS-E.008.

(N2) 2

APPLY ADHESIVE LOCTITE 680 OR EQUIVALENT.

(N3) 3

APPLY LIGHT FILM OF DOW CORNING 111 SILICONE COMPOUND.



BILL OF MATERIAL (CURRENT LEVEL)

ITEM	PT/ASSY	DESCRIPTION	TYPE	QTY.
1	50199	PIVOT BALL	PART	1
2	91019	O-RING, #2- 014, EPDM, 65-75 DURO, NSF	PART	1
3	91160	WSHR, .5 ID X .74 OD X .25 THK, CONCAVED	PART	1
4	50201	BODY W/ VOLUME CONTROL	PART	1
5	50202	HANDLE KNOB	PART	1
6	92047	SCRW, 6-32 X 1/4 SLT RD HD SS	PART	1
7	91159	O-RING, #2- 029, EPDM, 65-75 DURO, NSF	PART	1
8	50197	BODY SPRAY FACE PLATE	PART	1
9	91099	O-RING, #2- 009, EPDM, 65-75 DURO	PART	2
10	91432	O-RING, #2-016, PTFE, D55 DURO	PART	1
11	11691	BODY SPRAY COLLAR	PART	1
12	11688	BODY SPRAY RETAINER	PART	1
13	91153	WSHR .438 X .738	PART	1
14	11599	FLOW REGULATOR, 1.75 GPM, LIGHT BLUE	PART	1
15	11690	BODY SPRAY ESCUTCHEON	PART	1
16	91259	O-RING, #2-121, EPDM, 65-75 DURO	PART	1

SCALE 0.400

SCALE 0.375

D	EN-3091	07/08/16	J.A.	
C	EO-0839	05/25/07	-	
B	EO-0825	04/17/07	-	
A	EO-0134	03/10/03	-	
-	RELEASED	PRE '95	-	
ZONE	REV	DESCRIPTION	DATE	APPROVED

COPYRIGHT 2005 BRASSTECH, INC. THESE DRAWINGS AND THE DESIGNS DEPICTED HEREIN ARE THE PROPRIETARY PROPERTY OF BRASSTECH. ANY USE OR REPRODUCTION IS SUBJECT TO THE EXPRESS APPROVAL OF BRASSTECH. UNAUTHORIZED USE IS STRICTLY PROHIBITED. ALL RIGHTS RESERVED.

TESTING	-	-	-
ASSEMBLY	-	-	-
PLATING	-	-	-
POLISHING	-	-	-
MACHINING	-	-	-
TOOLING	FIXTURE #	NEXT ASSY	USED ON
APPLICATION			
REMOVE ALL BURRS AND SHARP EDGES			

UNITS ARE: INCHES [MM]
TOLERANCES ARE:
FRACTIONS DECIMALS ANGLES
±1/16" .X ±.1 [2.5] ±1°
.XX ±.06 [1.5]
X.XXX DENOTES CRITICAL DIMS.
ALL THREADS ARE CRITICAL
DRAWN J.AMOZOC 07/08/16

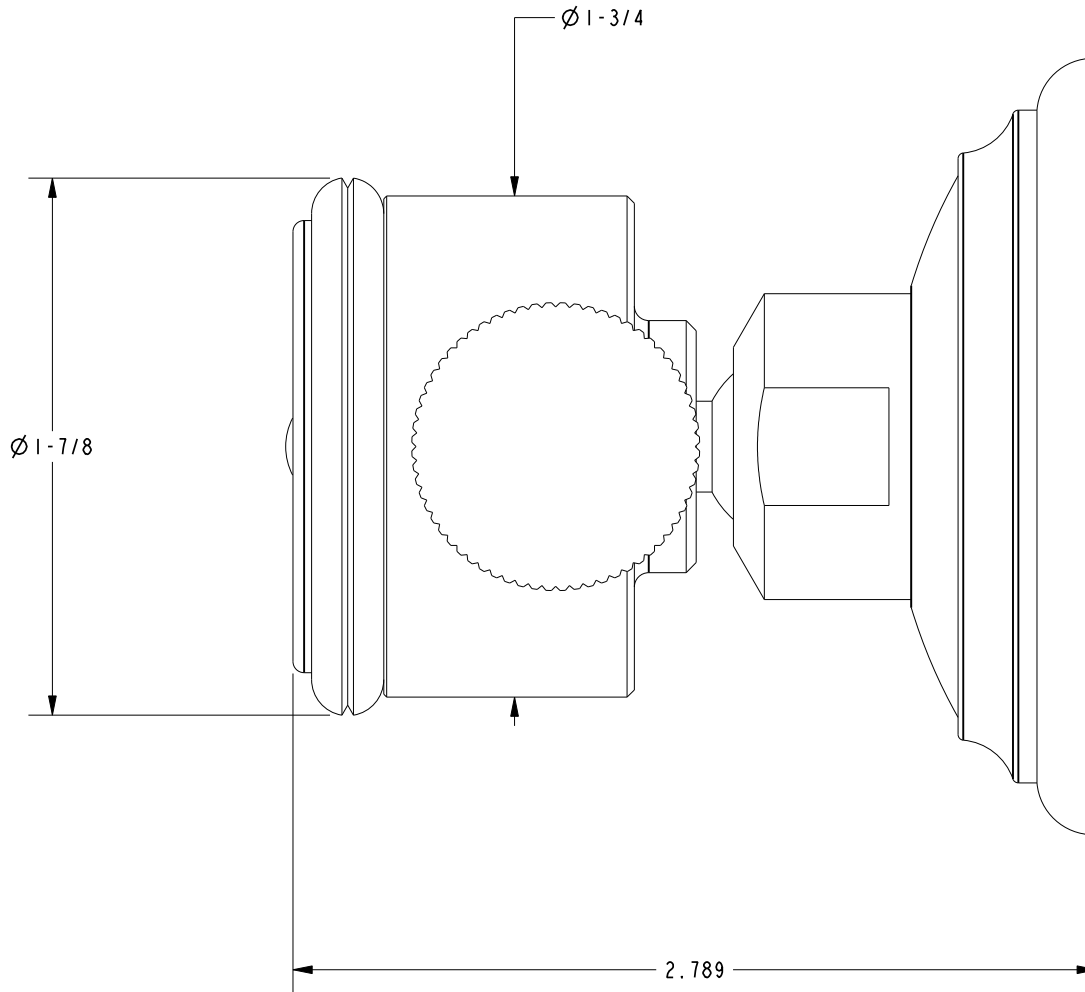
BRASSTECH 2001 CARNEGIE AVE.
INCORPORATED SANTA ANA, CA 92705
(949) 417-5207

BODY SPRAY W/ CONTROL

DWG NO. 2171 REV D

SCALE 0.750 REF. - SHEET 1 OF 2

SPECIFICATION DWG



1/2 NPSM

DIMENSIONS ARE IN INCHES AND AN APPROXIMATION OF A TYPICAL INSTALLATION

COPYRIGHT 2005 BRASSTECH, INC. THESE DRAWINGS AND THE DESIGNS DEPICTED HEREIN ARE THE PROPRIETARY PROPERTY OF BRASSTECH. ANY USE OR REPRODUCTION IS SUBJECT TO THE EXPRESS APPROVAL OF BRASSTECH. UNAUTHORIZED USE IS STRICTLY PROHIBITED. ALL RIGHTS RESERVED.

BRASSTECH		2001 CARNEGIE AVE.	
INCORPORATED		SANTA ANA, CA 92705	
		(949) 417-5207	
DWG NO.	2171	REF.	REV
SCALE	1.500	SHEET	2 OF 2