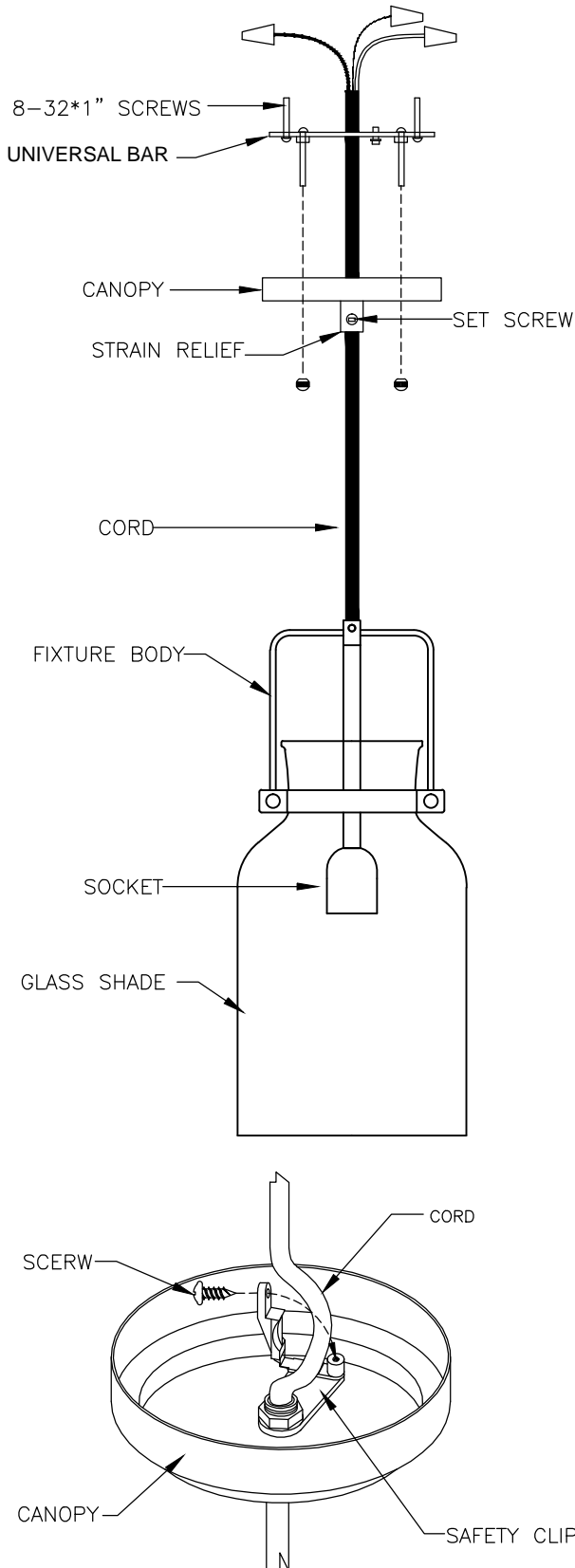


UTTERMOST

ASSEMBLY INSTRUCTIONS

We suggest a licensed electrician for all lighting fixture installations.



MODEL: **21558**

ASSEMBLY INSTRUCTIONS

READ AND SAVE THESE INSTRUCTIONS

TOOLS: YOU WILL NEED THE FOLLOWING TOOLS OR EQUIPMENT: LADDER, SCREWDRIVER, ADJUSTABLE WRENCH, WIRE CUTTERS

UNPACK THE FIXTURE

YOU SHOULD HAVE RECEIVED THE FOLLOWING:
CANOPY, STRAIN RELIEF WITH SET SCREW, FIXTURE BODY, GLASS SHADE.

MOUNTING HARDWARE PACKAGE:

(2)8-32 x 1" SCREWS, (2)5-32 x 1 1/2" SCREWS,
(2)**BALL FINIAL, UNIVERSAL BAR, GREEN GROUND SCREW,**
(3)WIRE CONNECTORS.

TO PROTECT THE FINISH, PLACE ALL PARTS ON A SOFT SURFACE.

ASSEMBLE THE FIXTURE

1. LOOSEN THE SCREW ON THE SAFETY CLIP INSIDE OF CANOPY. LOOSEN THE SET SCREW ON STRAIN RELIEF OUTSIDE OF CANOPY.
2. CUT THE CORD TO DESIRED LENGTH, MAKING SURE TO LEAVE 12" EXTRA FOR WIRING.
3. FIX THE CORD ONTO THE SAFETY CLIP WITH THE ATTACHED SCREW AS SHOWN. FIX SET SCREW.

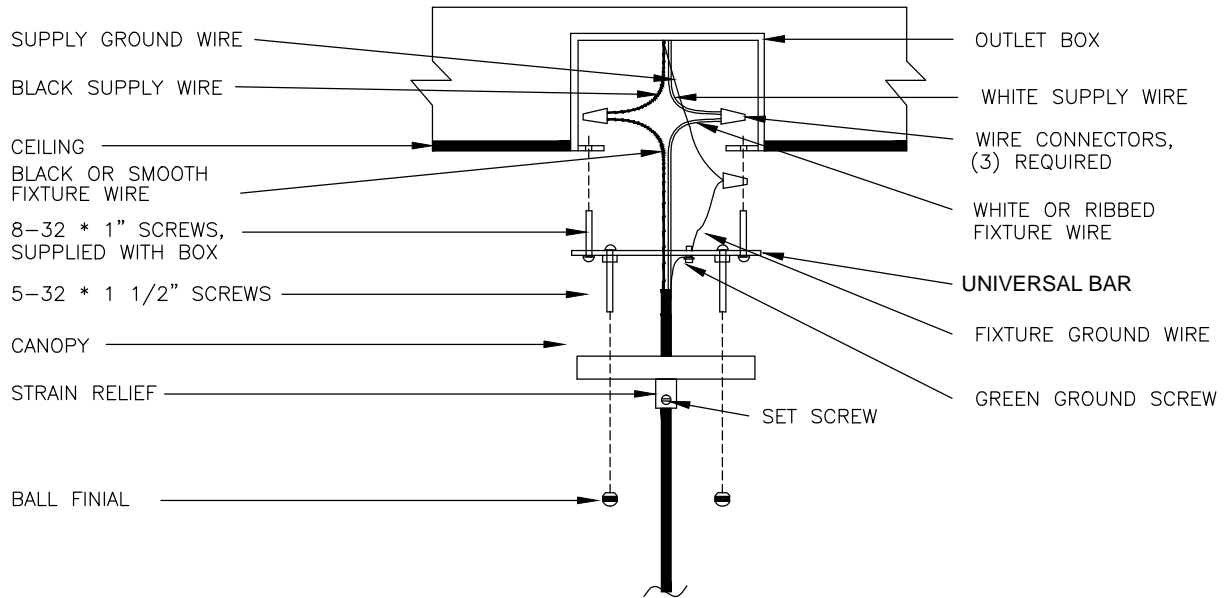
STOP COMPLETE INSTALLATION INSTRUCTIONS BEFORE CONTINUING TO FINAL ASSEMBLY.**

FINAL ASSEMBLY

RESTORE POWER. YOUR FIXTURE IS NOW READY TO USE.

UTTERMOST

ASSEMBLY INSTRUCTIONS



MODEL: **21558**

INSTALLATION INSTRUCTIONS

READ AND SAVE THESE INSTRUCTIONS

CAUTION

TO AVOID POSSIBLE ELECTRIC SHOCK, MAKE SURE THE ELECTRICITY IS SHUT OFF AT THE MAIN PANEL. IF YOU ARE REPLACING AN EXISTING FIXTURE, FIRST TURN THE FIXTURE OFF. NEXT, TURN THE WALL SWITCH OFF. FINALLY, GO TO THE MAIN FUSE OR BREAKER BOX IN YOUR HOME. TURN THE FUSE OR BREAKER TO THE OFF POSITION. SOME TYPES OF FUSES MUST BE UNSCREWED TO SHUT OFF THE POWER.

* ALL WIRING MUST BE DONE IN ACCORDANCE WITH NATIONAL AND LOCAL ELECTRIC CODES. IF YOU ARE NOT FAMILIAR WITH WIRING, YOU SHOULD USE A QUALIFIED ELECTRICIAN.

** THIS FIXTURE IS INTENDED TO BE MOUNTED TO A UL LISTED OUTLET BOX CAPABLE OF SUPPORTING THE FIXTURE.

COMPLETE ASSEMBLY INSTRUCTIONS ON REVERSE BEFORE PROCEEDING WITH INSTALLATION INSTRUCTIONS.

1. **SCREW (2) 8-32x1" SCREWS INTO THE UNIVERSAL BAR** MAKING SURE THAT THEY LINE UP WITH THE HOLES IN THE CANOPY. ATTACH THE UNIVERSAL BAR TO THE CEILING OUTLET BOX USING THE TWO SCREWS PROVIDED WITH THE OUTLET BOX. (NOTE: IF THE SCREWS WITH THE OUTLET BOX ARE TOO SHORT, USE THE (2) 8-32 x 1" SCREWS PROVIDED IN THE MOUNTING HARDWARE PACKAGE).
2. CONNECT THE WHITE OR RIBBED FIXTURE WIRE TO THE WHITE SUPPLY WIRE IN THE OUTLET BOX USING THE TWIST-ON WIRE CONNECTORS PROVIDED. CONNECT THE BLACK OR SMOOTH FIXTURE WIRE TO THE BLACK SUPPLY WIRE IN THE SAME MANNER. ATTACH THE FIXTURE AND SUPPLY GROUND WIRES ONTO THE **UNIVERSAL BAR** USING THE GREEN GROUND SCREW AND WIRE CONNECTOR.
3. TUCK THE WIRES CAREFULLY INSIDE THE OUTLET BOX. SPREAD THE ELECTRICAL SPLICES SO THAT THE BLACK WIRES ARE ON ONE SIDE OF THE OUTLET BOX AND THE WHITE WIRES ARE ON THE OTHER SIDE.
4. RAISE THE FIXTURE TO THE CEILING AND SECURE IN PLACE WITH THE (2) BALL FINIALS, THEN TIGHTENING SET SCREW.
5. SEE REVERSE FOR FINAL ASSEMBLY INSTRUCTIONS.

P.O. Box 558 | 3325 Grassy Hill Road | Rocky Mount, VA | 24151

www.uttermost.com