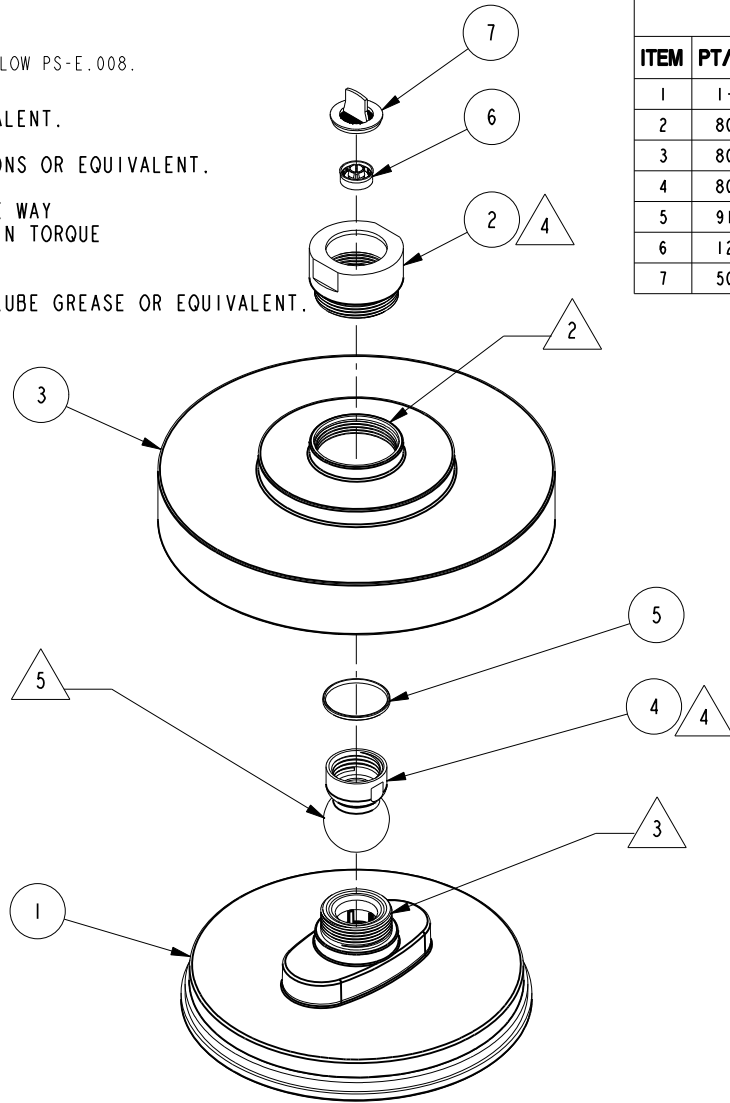


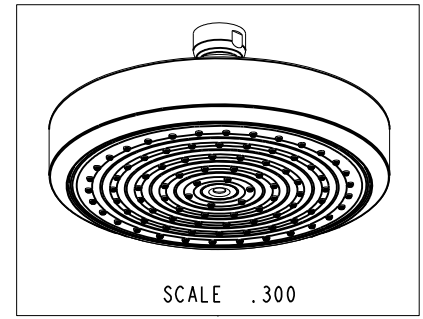
NOTES:

- (NI) 1. FIT / FORM / FUNCTION SHALL FOLLOW PS-E.008.
- 2. APPLY LOCTITE 680 OR EQUIVALENT.
- 3. APPLY 3M SCOTCH-WELD DP-100NS OR EQUIVALENT.
- (N4) 4. TIGHTEN THE NUT 80223 IN THE WAY THAT IT WILL TAKE 20-25 LB-IN TORQUE TO MOVE THE PIVOT BALL.
- 5. APPLY LIGHT FILM OF SUPER LUBE GREASE OR EQUIVALENT.



BILL OF MATERIAL (CURRENT LEVEL)

ITEM	PT/ASSY	DESCRIPTION	TYPE	QTY.
1	I-200	SHOWER ENGINE, 1-JET	ASSEMBLY	1
2	80223	SHOWER COLLAR NUT	PART	1
3	80222	SHOWER ENGINE SHELL	PART	1
4	80018	PIVOT BALL	PART	1
5	91157	WSHR, .920 ID X 1.0 OD X .066 THK, FLT, NYLON	PART	1
6	12833	FLOW REGULATOR, 1.8 GPM MAX	PART	1
7	50187	WSHR RBR W/ DIFFUSER	PART	1



ZONE	REV	DESCRIPTION	DATE	APPROVED
-	B	EN-3410	12/29/17	C.G.
-	A	EN-1668	04/05/11	V.V.
-	-	EO-0894	10/18/07	-

COPYRIGHT 2005 BRASSTECH, INC. THESE DRAWINGS AND THE DESIGNS DEPICTED HEREIN ARE THE PROPRIETARY PROPERTY OF BRASSTECH. ANY USE OR REPRODUCTION IS SUBJECT TO THE EXPRESS APPROVAL OF BRASSTECH. UNAUTHORIZED USE IS STRICTLY PROHIBITED. ALL RIGHTS RESERVED.

TESTING	ASSEMBLY	PLATING	POLISHING	MACHINING	TOOLING FIXTURE #
-	-	-	-	-	-
-	-	-	-	-	-
-	-	3-2042BP	3-2042BP	NEXT ASSY	USED ON
-	-	-	-	-	-
APPLICATION					
REMOVE ALL BURRS AND SHARP EDGES					

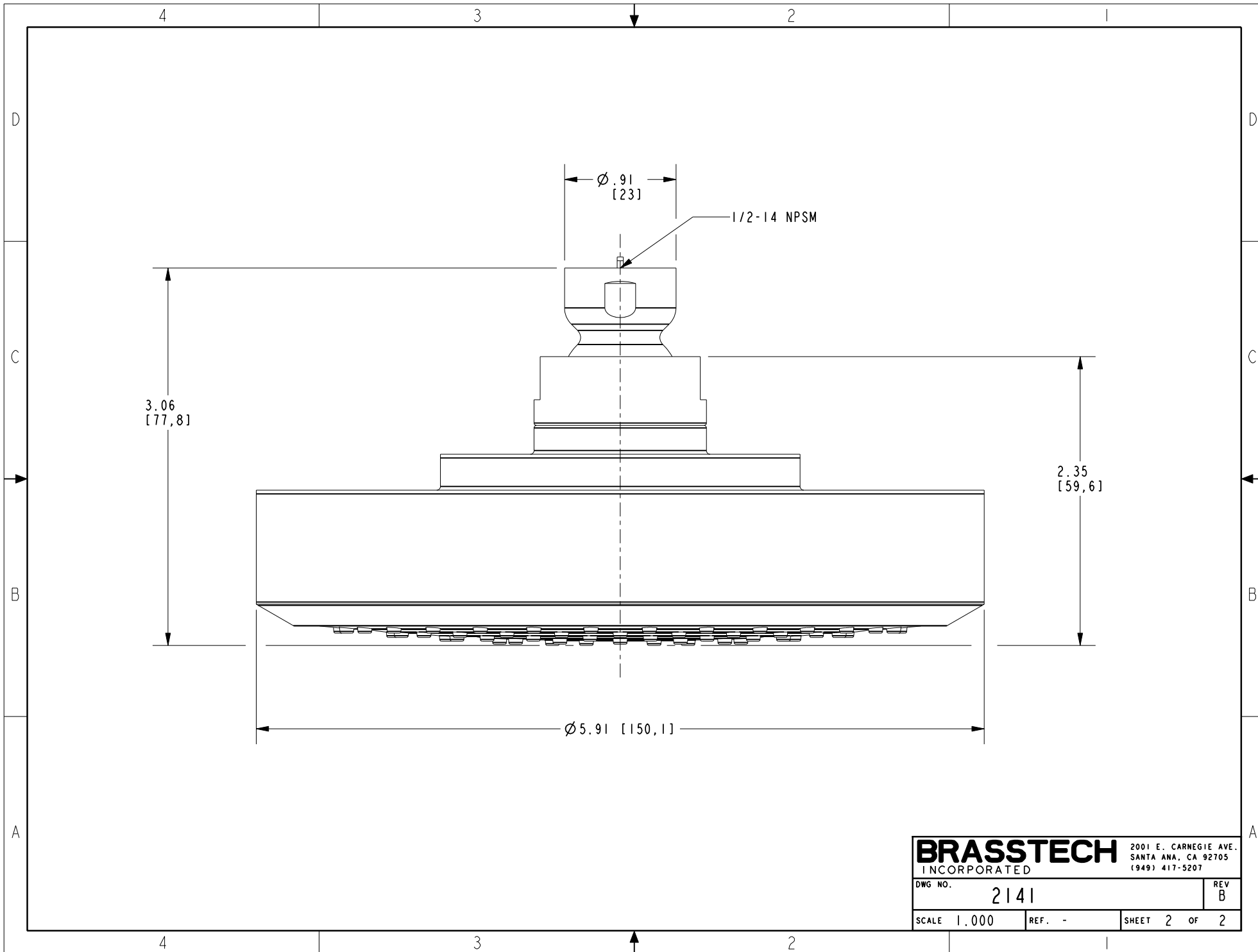
UNITS ARE: INCHES [MM]
TOLERANCES ARE:
FRACTIONS DECIMALS ANGLES
±1/16" .X ±.1 [2.5] ±1°
.XX ±.06 [1.5]
(X.XXX) DENOTES CRITICAL DIMS.
ALL THREADS ARE CRITICAL
DRAWN JINSON 12/29/17
CHECKED C.G. 12/29/17
APPROVED C.G. 12/29/17

BRASSTECH 2001 CARNEGIE AVE. SANTA ANA, CA 92705 (949) 417-5207
INCORPORATED

CONTEMP. SHOWER HEAD - SINGLE JET

DWG NO. 2141 REV B

SCALE .350 REF. - SHEET 1 OF 2



BRASSTECH		2001 E. CARNEGIE AVE. SANTA ANA, CA 92705 (949) 417-5207	
DWG NO.	2141	REV	B
SCALE	1.000	REF.	-
		SHEET	2 OF 2