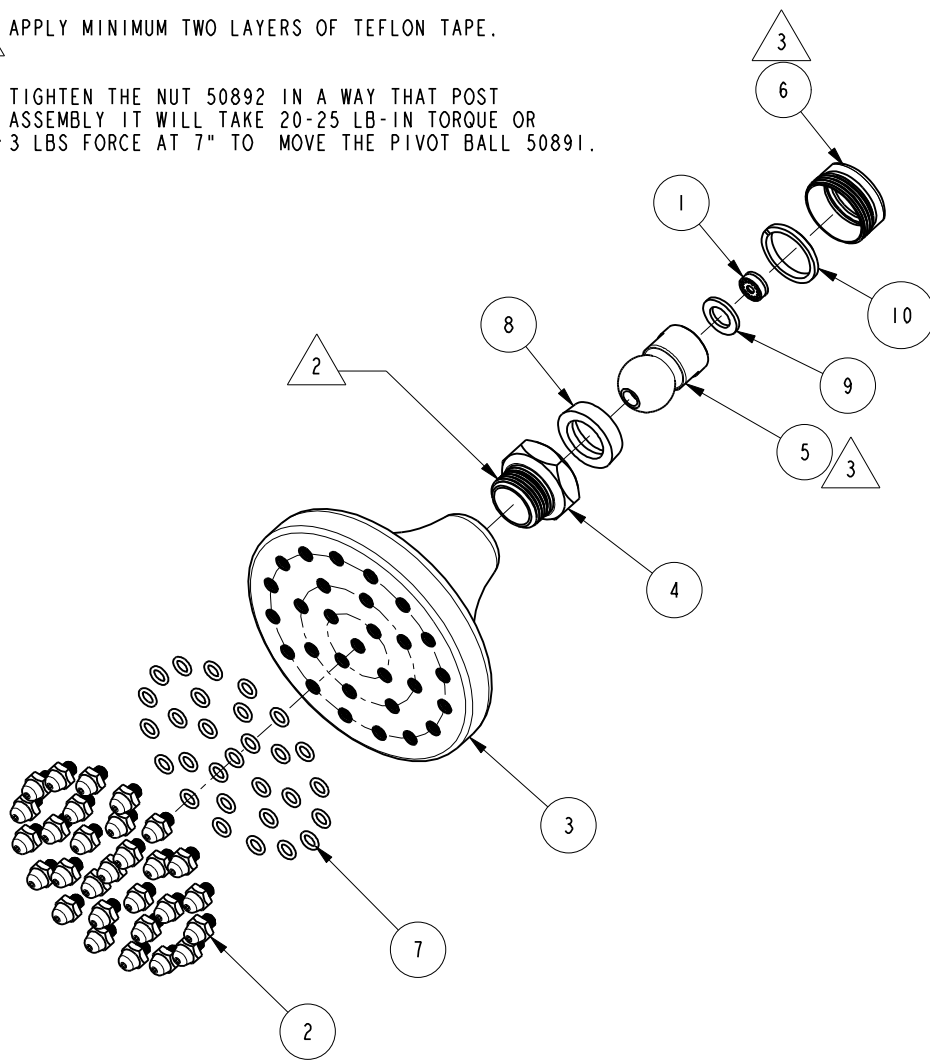


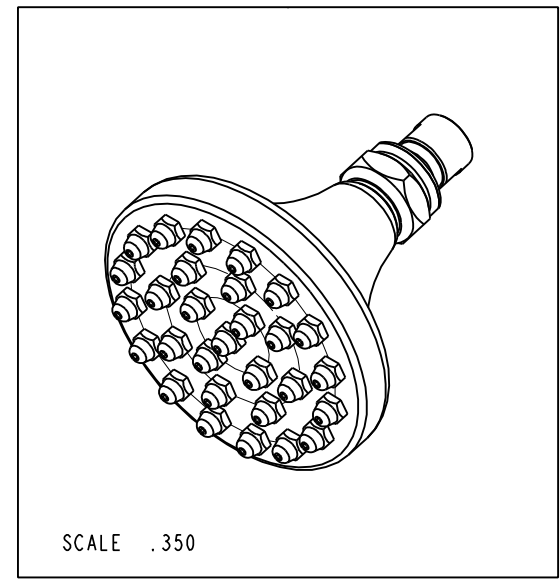
NOTES:

- (N1) 1. FIT / FORM / FUNCTION SHALL FOLLOW PS-E.008.
- 2 APPLY MINIMUM TWO LAYERS OF TEFLON TAPE.
- (N3) 3 TIGHTEN THE NUT 50892 IN A WAY THAT POST ASSEMBLY IT WILL TAKE 20-25 LB-IN TORQUE OR 3 LBS FORCE AT 7" TO MOVE THE PIVOT BALL 50891.



BILL OF MATERIAL (CURRENT LEVEL)

ITEM	PT/ASSY	DESCRIPTION	TYPE	QTY.
1	12833	FLOW REGULATOR, 1.8 GPM MAX	PART	1
2	50032	SHOWER NOZZLE	PART	29
3	50189	BODY	PART	1
4	50190	SHOWER HEAD ADAPTER	PART	1
5	50891	PIVOT BALL	PART	1
6	50892	COLLAR NUT	PART	1
7	91049	O-RING, #2- 010, EPDM, 65-75 DURO, NSF 61	PART	29
8	91152	WSHR, .801 ID X 1.196 OD X .32 THK, CONCAVE PB	PART	1
9	91153	WSHR .438 X .738	PART	1
10	91523	BEARING RING, PLASTIC	PART	1



ZONE	REV	DESCRIPTION	DATE	APPROVED
-	E	EN-3410	12/29/17	C.G.
-	D	EN-2768	06/19/14	-
-	C	EN-1668C	05/24/11	-
-	B	EN-1668	04/05/11	-
-	A	EN-1605C	02/02/11	-
-	-	RELEASED	06/25/03	-

COPYRIGHT 2005 BRASSTECH, INC. THESE DRAWINGS AND THE DESIGNS DEPICTED HEREIN ARE THE PROPRIETARY PROPERTY OF BRASSTECH. ANY USE OR REPRODUCTION IS SUBJECT TO THE EXPRESS APPROVAL OF BRASSTECH. UNAUTHORIZED USE IS STRICTLY PROHIBITED. ALL RIGHTS RESERVED.

TESTING	ASSEMBLY	PLATING	POLISHING	MACHINING	TOOLING FIXTURE #
-	-	-	-	-	-
-	-	RH-214	RH-214	-	-
-	-	NEXT ASSY	USED ON	-	-
APPLICATION					
REMOVE ALL BURRS AND SHARP EDGES					

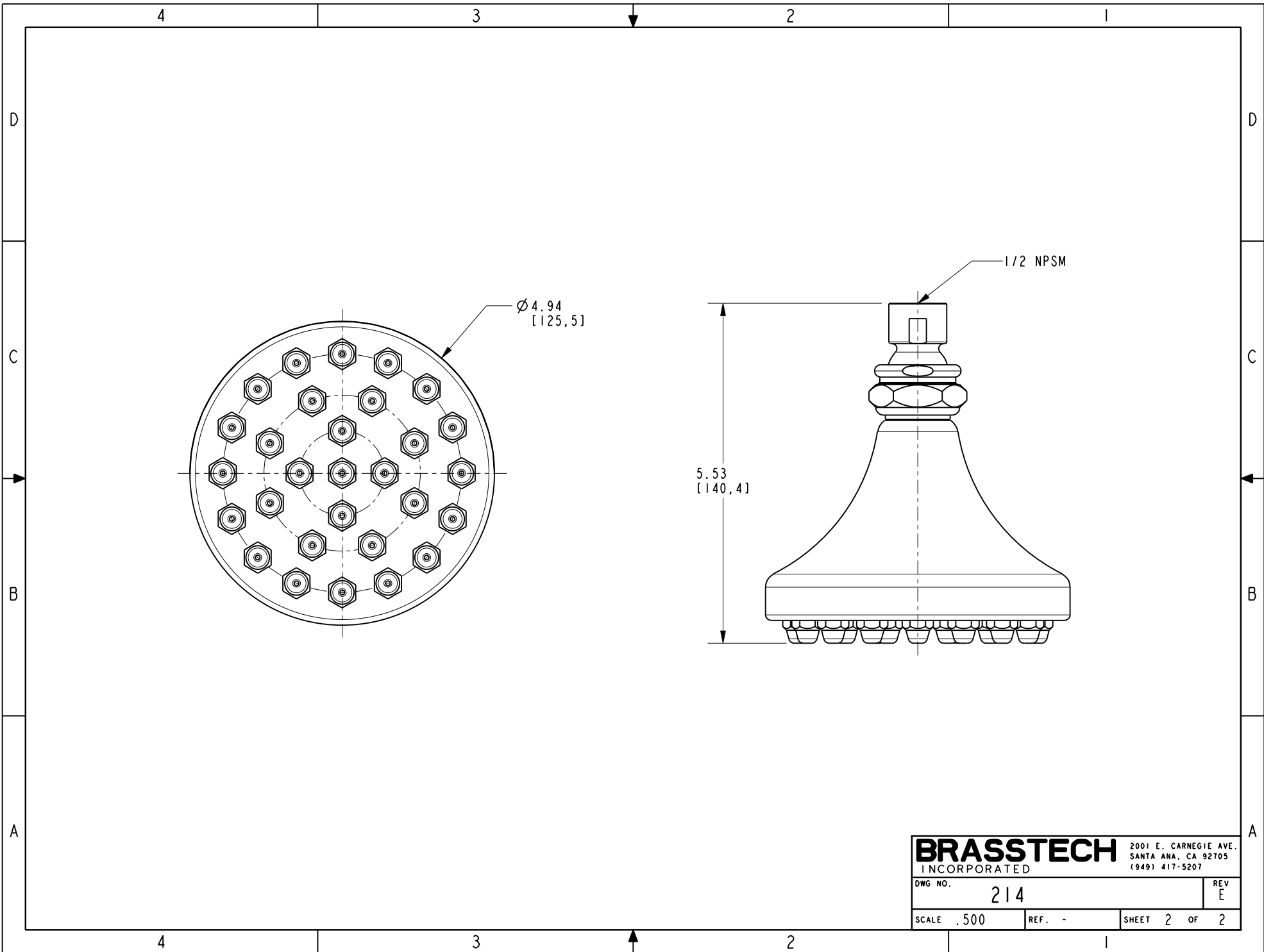
UNITS ARE: INCHES [MM]	TOLERANCES ARE:
FRACTIONS DECIMALS	ANGLES
±1/16"	±1°
.X ±.1 [2,5]	
.XX ±.06 [1,5]	
(X.XXX) DENOTES CRITICAL DIMS. ALL THREADS ARE CRITICAL	
DRAWN	JINSON 12/29/17
CHECKED	C.G. 12/29/17
APPROVED	C.G. 12/29/17

BRASSTECH 2001 CARNEGIE AVE. SANTA ANA, CA 92705 (949) 417-5207
INCORPORATED

SHOWERHEAD 29 JETS

DWG NO. 214 REV E

SCALE .300 REF. - SHEET 1 OF 2



Ø 4.94
[125,5]

1/2 NPSM

5.53
[140,4]

BRASSTECH		2001 E. CARNEGIE AVE.	
INCORPORATED		SANTA ANA, CA 92705	
DWG NO. 214		REV E	
SCALE .500	REF. -	SHEET 2 OF 2	