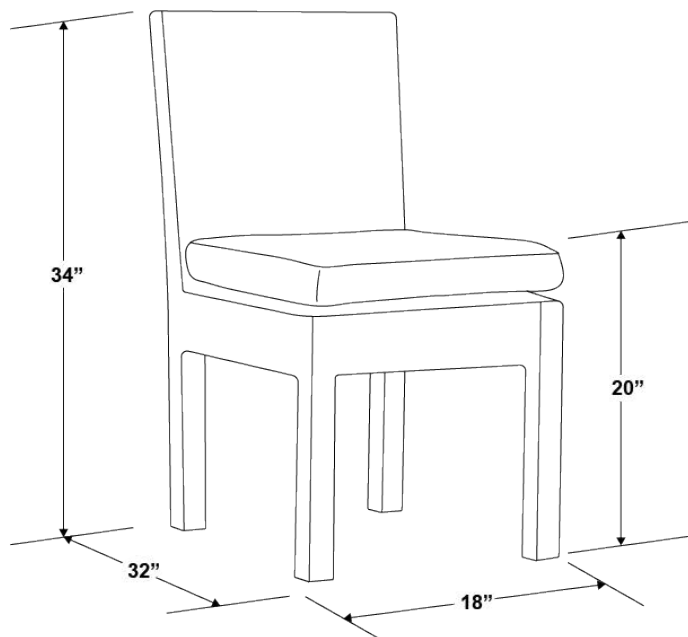


CORONADO ARMLESS DINING CHAIR

SKU 2101-1A



SPECS

Width: 18"

Depth: 32"

Height: 34"

Seat Height: 20"

Weight: 14 lbs

- Fully welded powder-coated aluminum frame wrapped in virgin HDPE Resin Wicker in Driftwood finish.
- Commercial Quality Construction.
- Non-marking plastic glides.
- Weather resistant, high-resiliency density cushions.
- Stocked with Premium foam cushions in Sunbrella Canvas Flax.
- Custom Cushions available in approx. 4 weeks.
- Standard 54" fabric COM yardage required: 1 yard.