

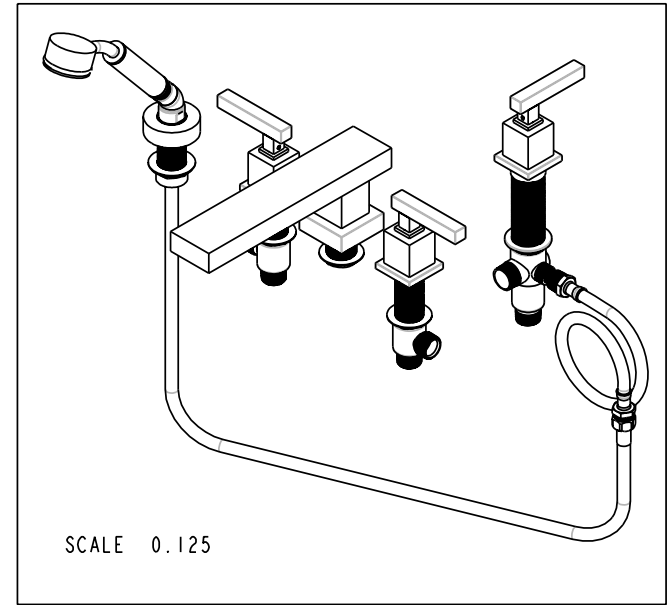
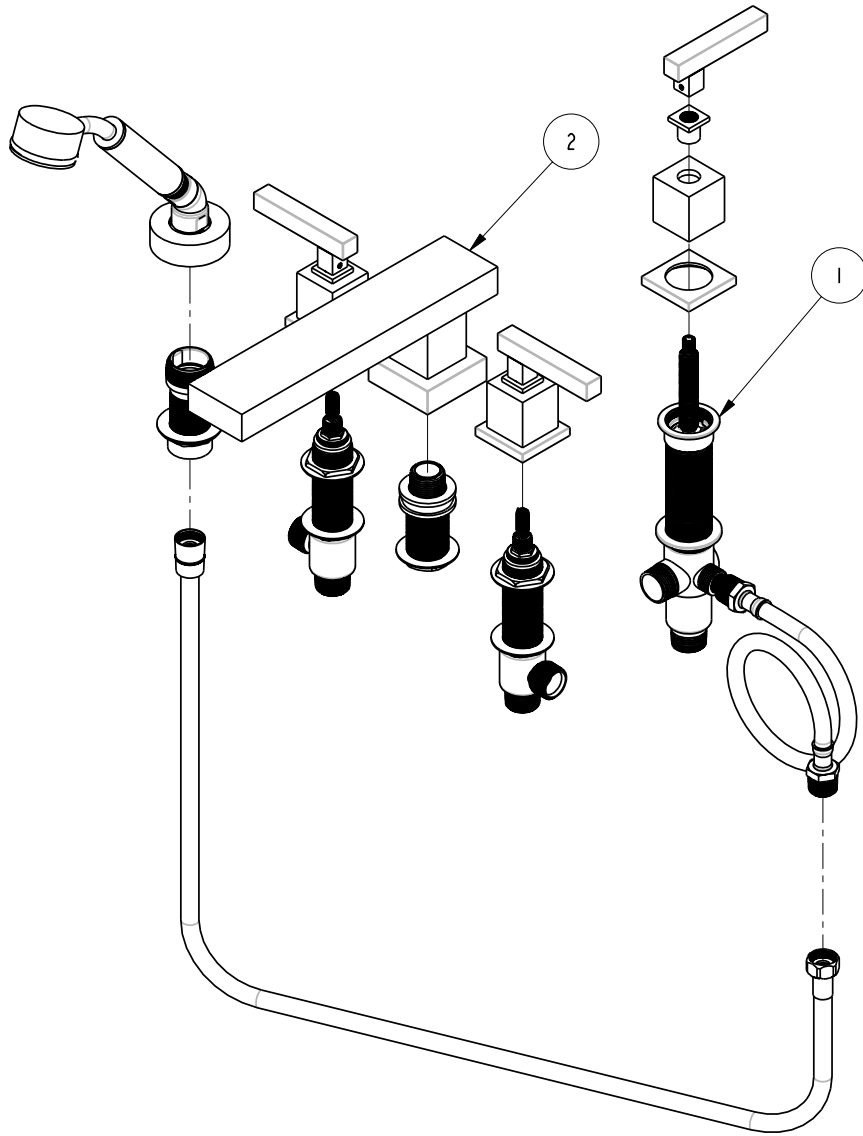
4

3

2

### BILL OF MATERIAL (CURRENT LEVEL)

ITEM	PT/ASSY	DESCRIPTION	TYPE	QTY.
1	1-503	ROMAN TUB 3-VALVE ROUGH	ASSEMBLY	1
2	3-2027	TRIM KIT - 3-2027	ASSEMBLY	1



NOTE: RECOMMENDED VALVE(S), SHOWN WITH TRIM KIT, SOLD SEPARATELY.

COPYRIGHT 2005 BRASSTECH, INC. THESE DRAWINGS AND THE DESIGNS DEPICTED HEREIN ARE THE PROPRIETARY PROPERTY OF BRASSTECH. ANY USE OR REPRODUCTION IS SUBJECT TO THE EXPRESS APPROVAL OF BRASSTECH. UNAUTHORIZED USE IS STRICTLY PROHIBITED. ALL RIGHTS RESERVED.

**BRASSTECH**  
INCORPORATED

2001 E. CARNEGIE AVE.  
SANTA ANA, CA 92705  
(949) 417-5207

## THREE VALVE ROMAN TUB SET

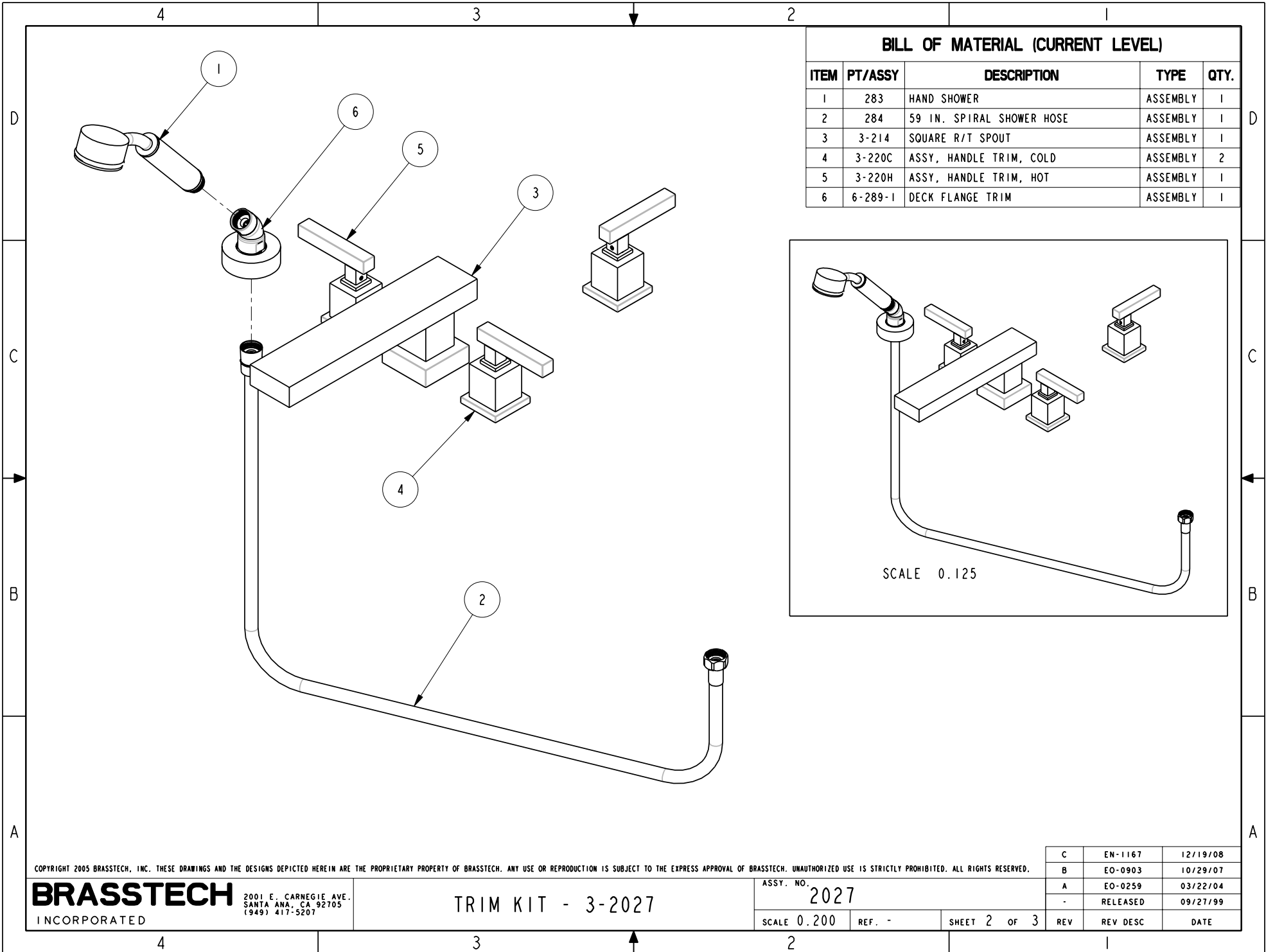
ASSY. NO.	2027	
SCALE 0.175	REF. -	SHEET 1 OF 3
REV	REV DESC	DATE
C	EN-1167	12/19/08
B	EO-0903	10/29/07
A	EO-0259	03/22/04
-	RELEASED	09/27/99

4

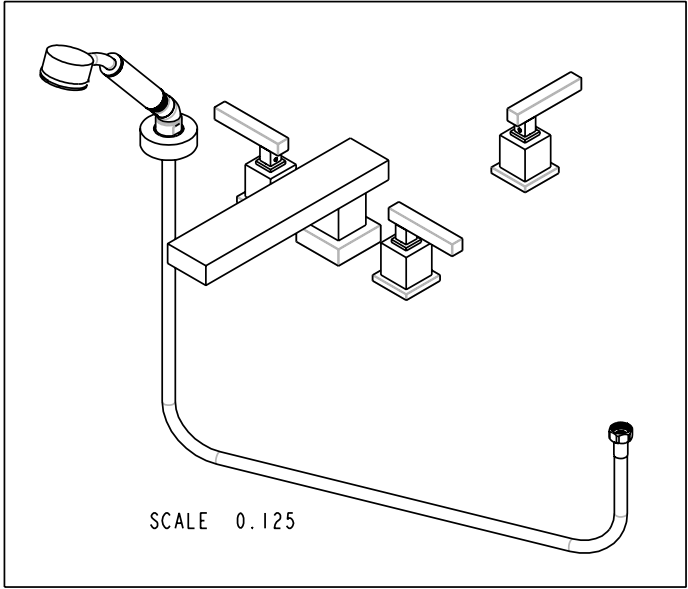
3

2

1



BILL OF MATERIAL (CURRENT LEVEL)				
ITEM	PT/ASSY	DESCRIPTION	TYPE	QTY.
1	283	HAND SHOWER	ASSEMBLY	1
2	284	59 IN. SPIRAL SHOWER HOSE	ASSEMBLY	1
3	3-214	SQUARE R/T SPOUT	ASSEMBLY	1
4	3-220C	ASSY, HANDLE TRIM, COLD	ASSEMBLY	2
5	3-220H	ASSY, HANDLE TRIM, HOT	ASSEMBLY	1
6	6-289-1	DECK FLANGE TRIM	ASSEMBLY	1



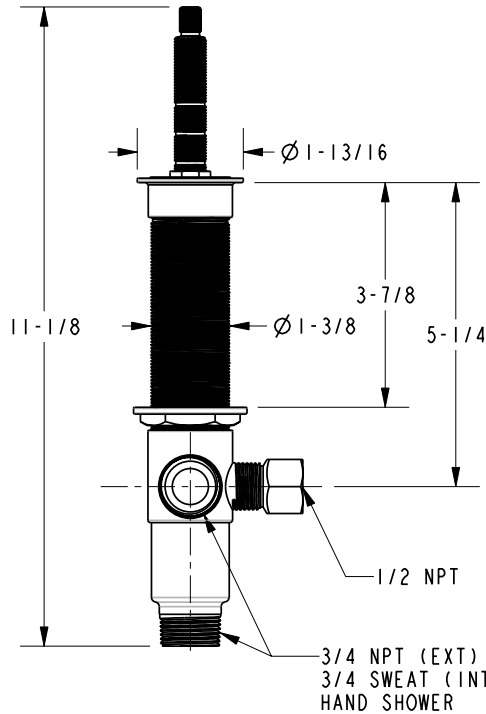
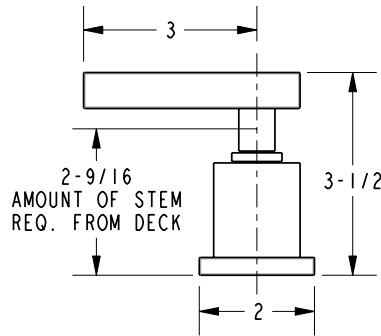
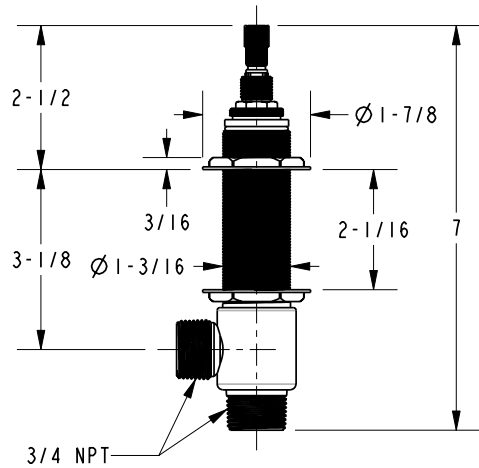
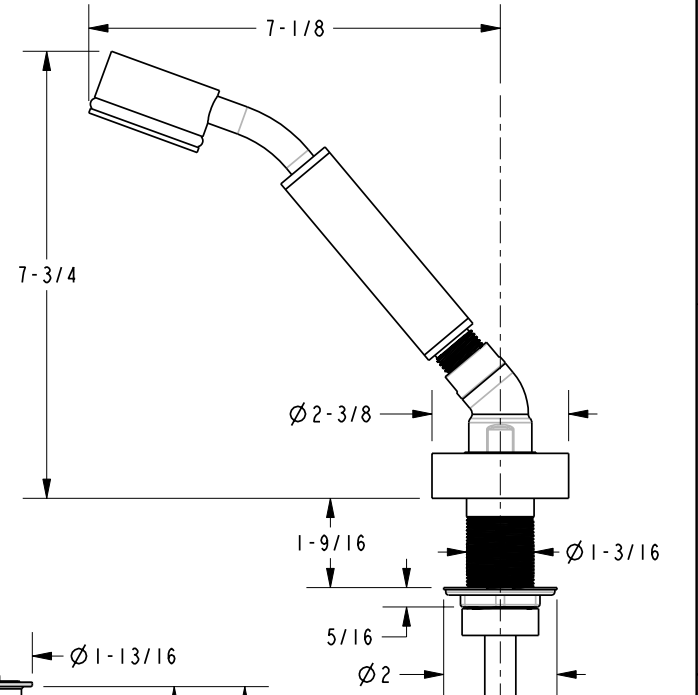
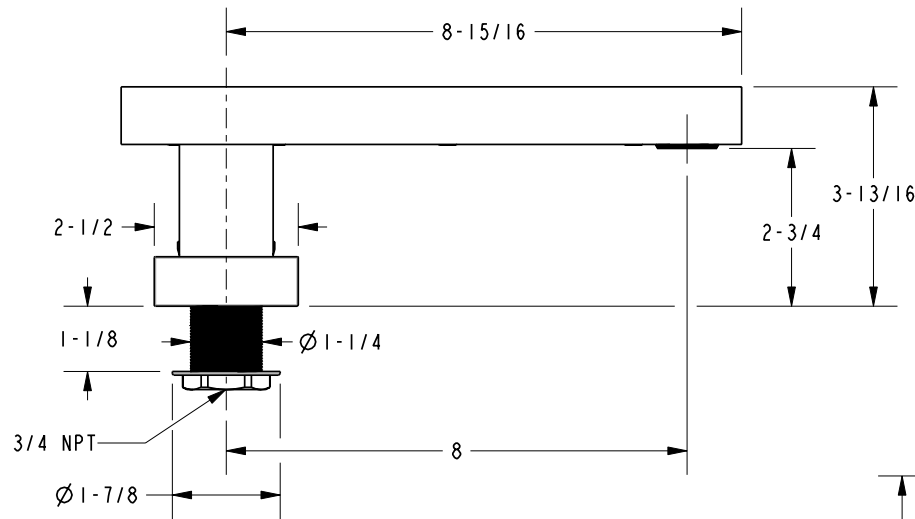
COPYRIGHT 2005 BRASSTECH, INC. THESE DRAWINGS AND THE DESIGNS DEPICTED HEREIN ARE THE PROPRIETARY PROPERTY OF BRASSTECH. ANY USE OR REPRODUCTION IS SUBJECT TO THE EXPRESS APPROVAL OF BRASSTECH. UNAUTHORIZED USE IS STRICTLY PROHIBITED. ALL RIGHTS RESERVED.

**BRASSTECH**  
INCORPORATED  
2001 E. CARNEGIE AVE.  
SANTA ANA, CA 92705  
(949) 417-5207

TRIM KIT - 3-2027

ASSY. NO.	2027	
SCALE	0.200	REF. -
SHEET	2	OF 3
REV	REV DESC	DATE
C	EN-1167	12/19/08
B	EO-0903	10/29/07
A	EO-0259	03/22/04
-	RELEASED	09/27/99

SPECIFICATION DWG



3/4 NPT (EXT)  
3/4 SWEAT (INT)  
HAND SHOWER

DIMENSIONS ARE IN INCHES AND AN APPROXIMATION OF A TYPICAL INSTALLATION

COPYRIGHT 2005 BRASSTECH, INC. THESE DRAWINGS AND THE DESIGNS DEPICTED HEREIN ARE THE PROPRIETARY PROPERTY OF BRASSTECH. ANY USE OR REPRODUCTION IS SUBJECT TO THE EXPRESS APPROVAL OF BRASSTECH. UNAUTHORIZED USE IS STRICTLY PROHIBITED. ALL RIGHTS RESERVED.

<b>BRASSTECH</b>		2001 E. CARNEGIE AVE.
INCORPORATED		SANTA ANA, CA 92705
		(949) 417-5207
DWG NO.	2027	REV C
SCALE 0.300	REF. -	SHEET 3 OF 3