

4

3

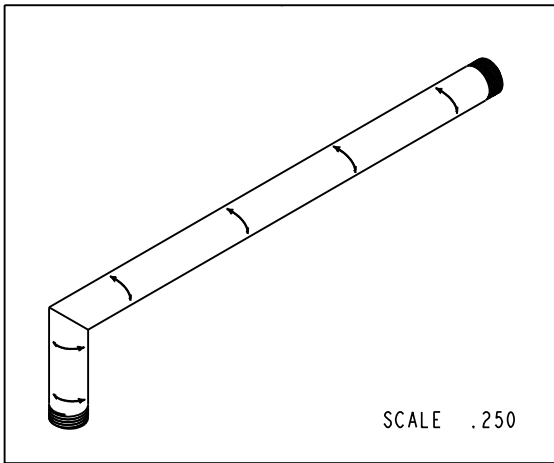
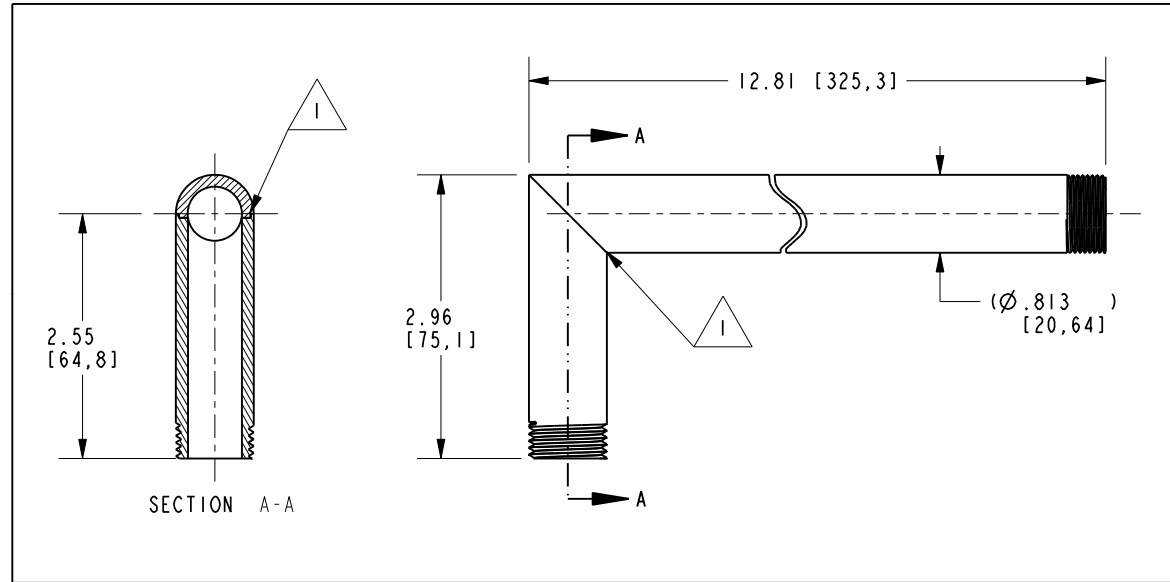
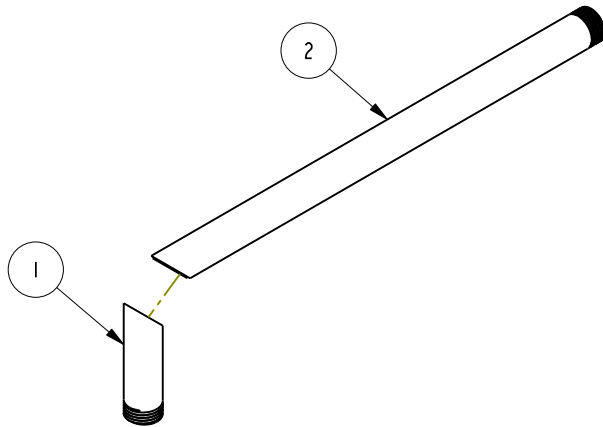
2

1

BILL OF MATERIAL (CURRENT LEVEL)

ITEM	PT/ASSY	DESCRIPTION	TYPE	QTY.
1	11759	SHOWER ARM BODY_1	PART	1
2	11760	SHOWER ARM BODY_2	PART	1

1
A COMPLETE NON-POURS, FULLY WETTED WITH CAPILLARY ACTION,
BRAZED JOINT USING LHK-1205-650 BRAZING PASTE



COPYRIGHT 2005 GINGER. THESE DRAWINGS AND THE DESIGNS DEPICTED HEREIN ARE THE PROPRIETARY PROPERTY OF GINGER. ANY USE OR REPRODUCTION IS SUBJECT TO THE EXPRESS APPROVAL OF GINGER. UNAUTHORIZED USE IS STRICTLY PROHIBITED. ALL RIGHTS RESERVED.

GINGER

2001 E. CARNEGIE AVE.
SANTA ANNA CA 92705
(949) 417-5207

SHOWER ARM BRAZE ASM

ASSY. NO.	202-1			A	EN-1848	08/03/11
SCALE	.500	REF.	-	-	EN-1763	05/17/11
SHEET	1	OF	1	REV	REV DESC	DATE

4

3

2

1